

Sheet	Circuit
1	Contents
2	General IO/LEDs/SWTs
3	Breadboards and Power

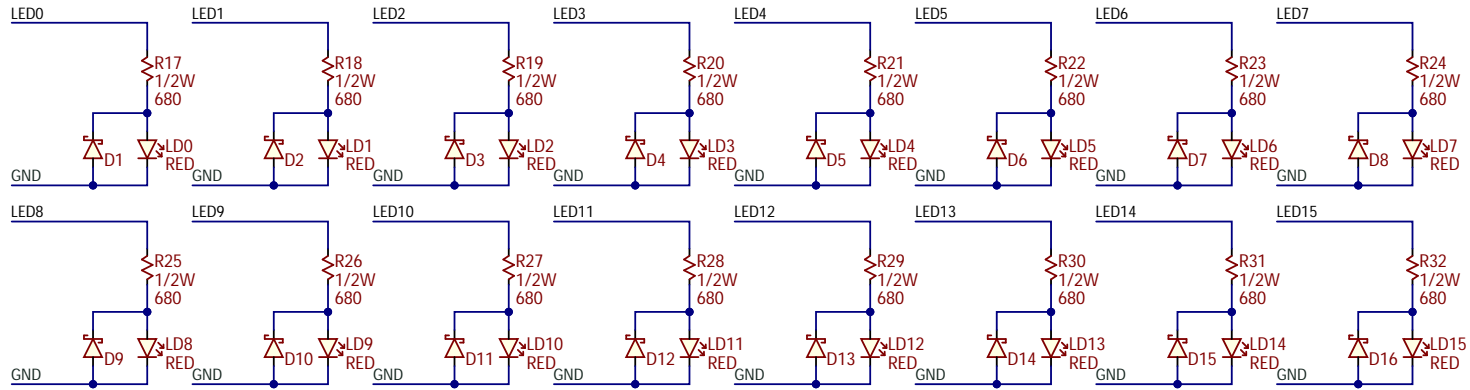
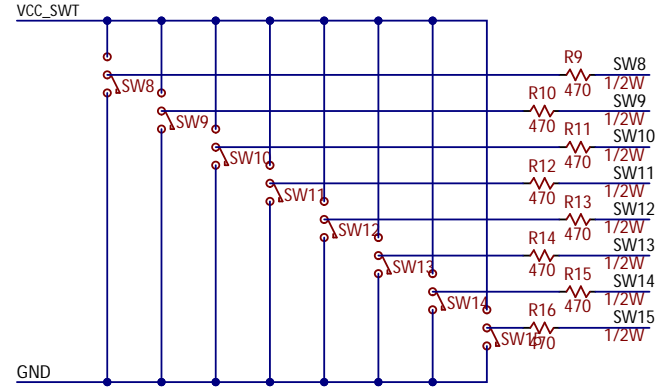
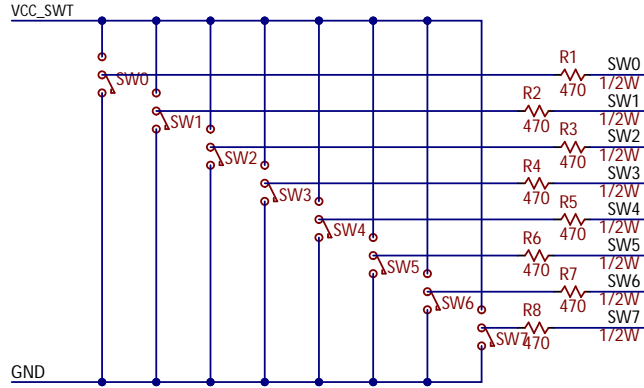
Terms of Use. The contents are provided "AS IS". DIGILENT DISCLAIMS ALL WARRANTIES, EITHER EXPRESS OR IMPLIED, INCLUDING, BUT NOT LIMITED TO, THE IMPLIED WARRANTIES OF MERCHANTABILITY, FITNESS FOR A PARTICULAR PURPOSE, AND NON-INFRINGEMENT OF INTELLECTUAL PROPERTY. The contents could contain technical inaccuracies, typographical errors or out-of-date information. Information may be updated or changed at any time, without notice. Use of such information is therefore at your own risk. Digilent may at any time revise these Terms of Use. You are bound by such revisions and should therefore visit <https://store.digilentinc.com/terms-of-use/> to review the current Terms of Use.

Limitation of Liability. DIGILENT WILL NOT BE LIABLE FOR DIRECT, INDIRECT, SPECIAL, INCIDENTAL, COVER, ECONOMIC, OR CONSEQUENTIAL DAMAGES ARISING OUT OF THE USE OR INABILITY TO USE THE CONTENTS EVEN IF DIGILENT IS ADVISED OF THE POSSIBILITY OF SUCH DAMAGES.

Title		Rev
Digital Trainer Canvas		A.0
Circuit	LED and Switches	
Doc#	500-428	
Engineer	MTA	
Author	GMA	
Date	10/5/2023	
Sheet#	1 out of 3	



Copyright 2023



Title		Rev	
Digital Trainer Canvas		A.0	
Circuit			
LED and Switches			
Doc# 500-428			
Engineer MTA			
Author GMA			
Date 10/5/2023			
Sheet# 2 out of 3			

DIGILENT[®]

Copyright 2023

BreadBoard
VCC/GND
BB1

BreadBoard
Signal
BB2

BreadBoard
VCC/GND
BB3

BreadBoard
Signal
BB4

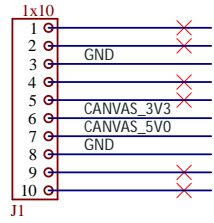
Foot
F1

Foot
F2

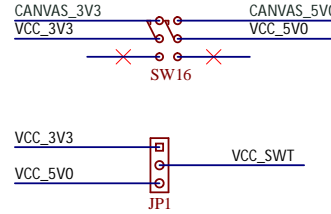
Foot
F3

Foot
F4

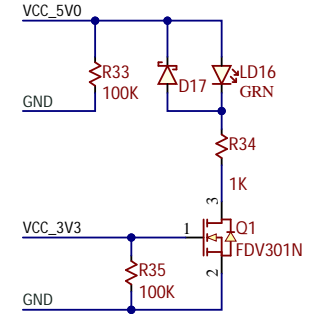
ANALOG DISCOVERY STUDIO INPUTS



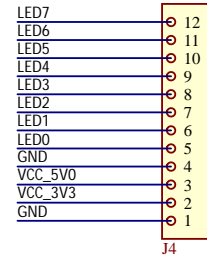
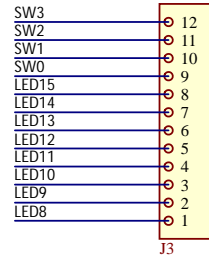
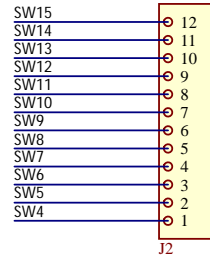
POWER SWITCH



POWER LED



IO BREADBOARDS



Title		Rev
Digital Trainer Canvas		A.0
Circuit		
Breadboards and Power		
Doc# 500-428		
Engineer MTA		
Author GMA		
Date 10/5/2023		
Sheet# 3 out of 3		



Copyright 2023