

USB-3106

USB-based Analog Output

User's Guide

Trademark and Copyright Information

Measurement Computing Corporation, InstaCal, Universal Library, and the Measurement Computing logo are either trademarks or registered trademarks of Measurement Computing Corporation. Refer to the Copyrights & Trademarks section on mccdaq.com/legal for more information about Measurement Computing trademarks. Other product and company names mentioned herein are trademarks or trade names of their respective companies.

© 2017 Measurement Computing Corporation. All rights reserved. No part of this publication may be reproduced, stored in a retrieval system, or transmitted, in any form by any means, electronic, mechanical, by photocopying, recording, or otherwise without the prior written permission of Measurement Computing Corporation.

Notice

Measurement Computing Corporation does not authorize any Measurement Computing Corporation product for use in life support systems and/or devices without prior written consent from Measurement Computing Corporation. Life support devices/systems are devices or systems that, a) are intended for surgical implantation into the body, or b) support or sustain life and whose failure to perform can be reasonably expected to result in injury. Measurement Computing Corporation products are not designed with the components required, and are not subject to the testing required to ensure a level of reliability suitable for the treatment and diagnosis of people.

Table of Contents

Preface	
About this User's Guide	5
What you will learn from this user's guide	5
Conventions in this user's guide	5
Where to find more information	5
Chapter 1	
Introducing the USB-3106	6
Overview: USB-3106 features	6
USB-3106 block diagram	7
Chapter 2	
Installing the USB-3106	8
Unpacking	8
Installing the software	8
Installing the hardware	8
Calibrating the hardware	8
Chapter 3	
Functional Details	9
External components	9
USB connector	9
Status LED	9
Power LED	9
Screw terminal banks	10
Analog voltage output terminals (VOUT0 to VOUT15)	11
Analog current output terminals (IOUT0 to IOUT15)	11
Current Test terminal (ITEST)	12
Digital I/O terminals (DIO0 to DIO7)	13
Digital I/O control terminal (DIO CTL) for pull-up/down configuration	13
Ground terminals (AGND, DGND)	13
Synchronous DAC load terminal (SYNCLD)	13
Counter terminal (CTR)	14
Power terminal (+5V)	14
Synchronizing multiple units	14
Chapter 4	
Specifications	15
Analog voltage output	15
Analog current output	16
Analog output calibration	17
Digital input/output	17
Synchronous DAC Load	18
Counter	18
Memory	19
Microcontroller	19
Power	19
USB specifications	19
Environmental	20

Mechanical	20
Screw terminal connector	20
EU Declaration of Conformity	21

About this User's Guide

What you will learn from this user's guide

This user's guide describes the Measurement Computing USB-3106 data acquisition device and lists device specifications.

Conventions in this user's guide

For more information

Text presented in a box signifies additional information and helpful hints related to the subject matter you are reading.

Caution! Shaded caution statements present information to help you avoid injuring yourself and others, damaging your hardware, or losing your data.

Bold text is used for the names of objects on a screen, such as buttons, text boxes, and checkboxes.

Italic text is used for the names of manuals and help topic titles, and to emphasize a word or phrase.

Where to find more information

Additional information about USB-3106 hardware is available on our website at www.mccdaq.com. You can also contact Measurement Computing Corporation with specific questions.

- Knowledgebase: kb.mccdaq.com
- Tech support form: www.mccdaq.com/support/support_form.aspx
- Email: techsupport@mccdaq.com
- Phone: 508-946-5100 and follow the instructions for reaching Tech Support

For international customers, contact your local distributor. Refer to the International Distributors section on our web site at www.mccdaq.com/International.

Introducing the USB-3106

Overview: USB-3106 features

This user's guide contains all of the information you need to connect the USB-3106 to your computer and to the signals you want to control. The USB-3106 is part of the Measurement Computing brand of USB-based data acquisition products.

The USB-3106 is a USB 2.0 full-speed device that is supported under popular Microsoft® Windows® operating systems. The USB-3106 is fully compatible with both USB 1.1 and USB 2.0 ports.

The USB-3106 provides 16 channels of analog voltage output, 16 channels of analog current output, eight digital I/O connections, and one 32-bit event counter.

The USB-3106 has four quad (4-channel) 16-bit digital-to-analog converters (DAC). Each D/A converter output controls a voltage and current channel pair simultaneously.

You set the voltage output range of each DAC channel independently with software for either bipolar, unipolar or current. The bipolar range is ± 10 V, the unipolar range is 0 to 10 V, and the analog current range is 0 to 20 mA. Each voltage/current channel pair can be updated individually or simultaneously. A bidirectional synchronization connection allows you to simultaneously update the DAC outputs on multiple devices.

The USB-3106 features eight bidirectional digital I/O connections. You can configure the DIO lines as input or output in one 8-bit port. All digital pins are floating by default. A screw terminal connection is provided for pull-up (+5 V) or pull-down (0 volts) configuration.

The 32-bit counter can count TTL pulses.

The USB-3106 is powered by the +5 volt USB supply from your computer. No external power is required. All I/O connections are made to the screw terminals located along each side of the USB-3106.

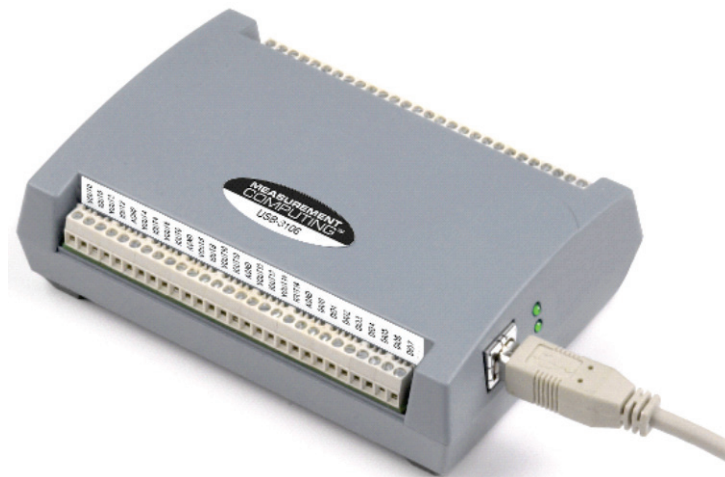


Figure 1. USB-3106

USB-3106 block diagram

USB-3106 functions are illustrated in the block diagram shown here.

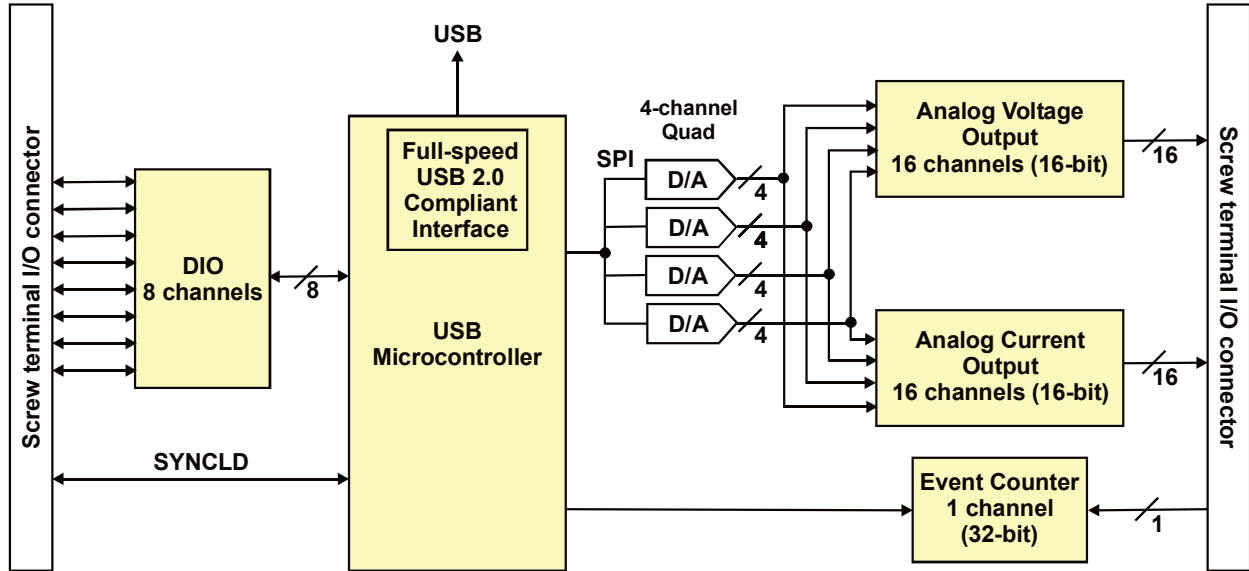


Figure 2. USB-3106 block diagram

Installing the USB-3106

Unpacking

As with any electronic device, you should take care while handling to avoid damage from static electricity. Before removing the device from its packaging, ground yourself using a wrist strap or by simply touching the computer chassis or other grounded object to eliminate any stored static charge.

Contact us immediately if any components are missing or damaged.

Installing the software

Refer to the *MCC DAQ Quick Start* and the USB-3106 product page on our website for information about the software supported by the USB-3106.

Install the software before you install your device

The driver needed to run the USB-3106 is installed with the software. Therefore, you need to install the software package you plan to use before you install the hardware.

Installing the hardware

To connect the USB-3106 to your system, connect the USB cable to an available USB port on the computer or to an external USB hub connected to the computer. Connect the other end of the USB cable to the USB connector on the device. No external power is required.

When connected for the first time, a **Found New Hardware** dialog opens when the operating system detects the device. When the dialog closes, the installation is complete. The **Status** LED on the USB-3106 turns on after the device is successfully installed.

If the Power LED turns off

If communication is lost between the device and the computer, the device LED turns off. To restore communication, disconnect the USB cable from the computer and then reconnect it. This should restore communication, and the LED should turn on.

Calibrating the hardware

The Measurement Computing Manufacturing Test department performs the initial factory calibration. Return the device to Measurement Computing Corporation when calibration is required. The recommended calibration interval is one year.

Functional Details

External components

The USB-3106 has the following external components, as shown in Figure 3.

- USB connector
- Status LED
- Power LED
- Screw terminal banks (2)

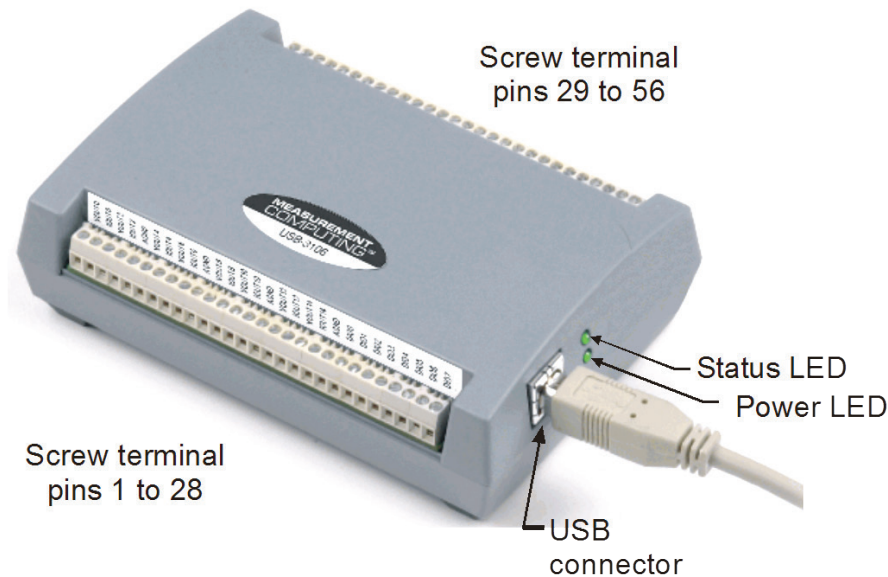


Figure 3. USB-3106 external components

USB connector

The USB connector provides power and communication. The voltage supplied through the USB connector is system-dependent, and may be less than 5 V. No external power supply is required.

Status LED

The Status LED indicates the communication status of the USB-3106. It flashes when data is being transferred, and is off when the USB-3106 is not communicating. This LED uses up to 10 mA of current and cannot be disabled.

Power LED

The power LED lights up when the USB-3106 is connected to a USB port on your computer or to an external USB hub that is connected to your computer.

Screw terminal banks

The USB-3106 has two rows of screw terminals—one row on the top edge of the housing, and one row on the bottom edge. Each row has 28 connections. Use 16 AWG to 30 AWG wire gauge when making screw terminal connections. Pin numbers are identified in Figure 4.

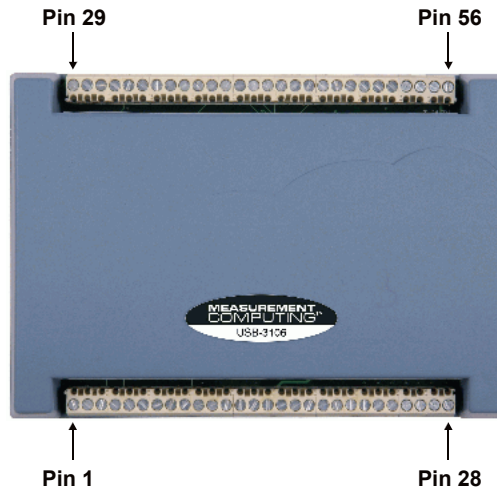


Figure 4. USB-3106 screw terminal pin numbering

Screw terminal – pins 1-28

The screw terminals on the bottom edge of the USB-3106 (pins 1 to 28) provide the following connections:

- Eight analog voltage output connections (**VOUT0**, **VOUT2**, **VOUT4**, **VOUT6**, **VOUT8**, **VOUT10**, **VOUT12**, **VOUT14**)
- Eight analog current output connections (**IOUT0**, **IOUT2**, **IOUT4**, **IOUT6**, **IOUT8**, **IOUT10**, **IOUT12**, **IOUT14**)
- Four analog ground connections (**AGND**)
- Eight digital I/O connections (**DIO0** to **DIO7**)

Screw terminal – pins 29-56

The screw terminals on the top edge of the USB-3106 (pins 29 to 56) provide the following connections:

- Eight analog voltage output connections (**VOUT1**, **VOUT3**, **VOUT5**, **VOUT7**, **VOUT9**, **VOUT11**, **VOUT13**, **VOUT15**)
- Eight analog current output connections (**IOUT1**, **IOUT3**, **IOUT5**, **IOUT7**, **IOUT9**, **IOUT11**, **IOUT13**, **IOUT15**)
- Four analog ground connections (**AGND**)
- One SYNC terminal for external clocking and multi-unit synchronization (**SYNCLD**)
- Three digital ground connections (**DGND**)
- One current test connection (**ITEST**)
- One external event counter connection (**CTR**)
- One digital I/O pull-up/down resistor connection (**DIO CTL**)
- One voltage output power connection (**+5 V**)

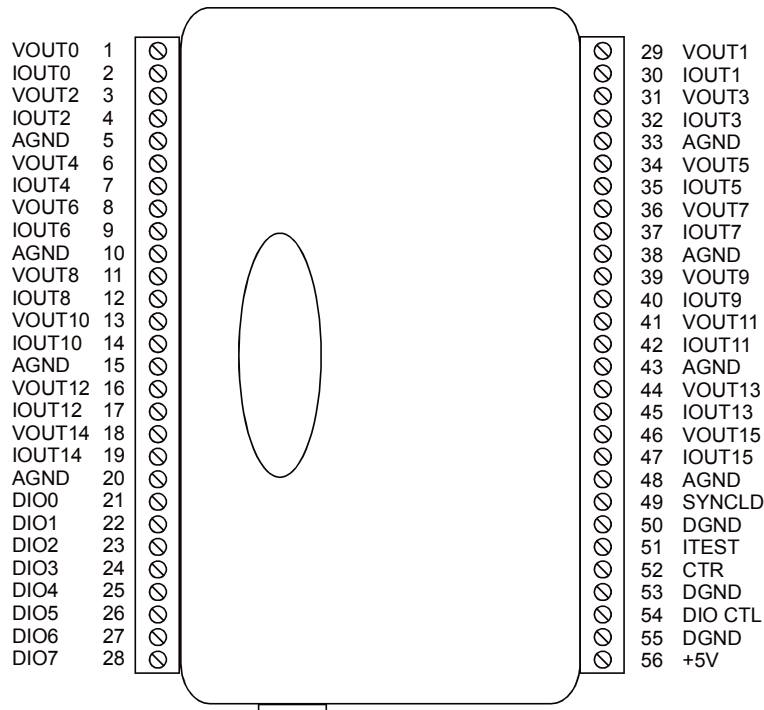


Figure 5. USB-3106 signal pin out

Analog voltage output terminals (VOUT0 to VOUT15)

The screw terminal pins labeled **VOUT0** to **VOUT15** are voltage output terminals (see Figure 5). The voltage output range for each channel is software-programmable for either bipolar or unipolar. The bipolar range is ± 10 V, and the unipolar range is 0 to 10 V.

Each D/A converter output controls a voltage and current channel pair simultaneously. When you write to a voltage output, its associated current output is also updated. Each channel pair can be updated individually or simultaneously.

Leave each pair of unused voltage and current outputs disconnected.

Analog current output terminals (IOU0 to IOU15)

The screw terminal pins labeled **IOU0** to **IOU15** are current output terminals (see Figure 5). The current range for each channel is 0 to 20 mA.

Each D/A converter output controls a voltage and current channel pair simultaneously. When you write to a current output, its associated voltage output is also updated. Each channel pair can be updated individually or simultaneously. Leave each pair of unused voltage and current outputs disconnected.

Figure 6 shows a typical analog current output circuit. A minimum of 8 VDC must be available at IOU_n . A maximum of 36 VDC external excitation voltage is used to power the loop. Consider the drop across the load when selecting the supply voltage.

A typical application uses a 24 V loop supply. The loop can use either a grounded load where the supply floats, or a grounded supply where the load floats. Each connection method is shown in Figure 6.

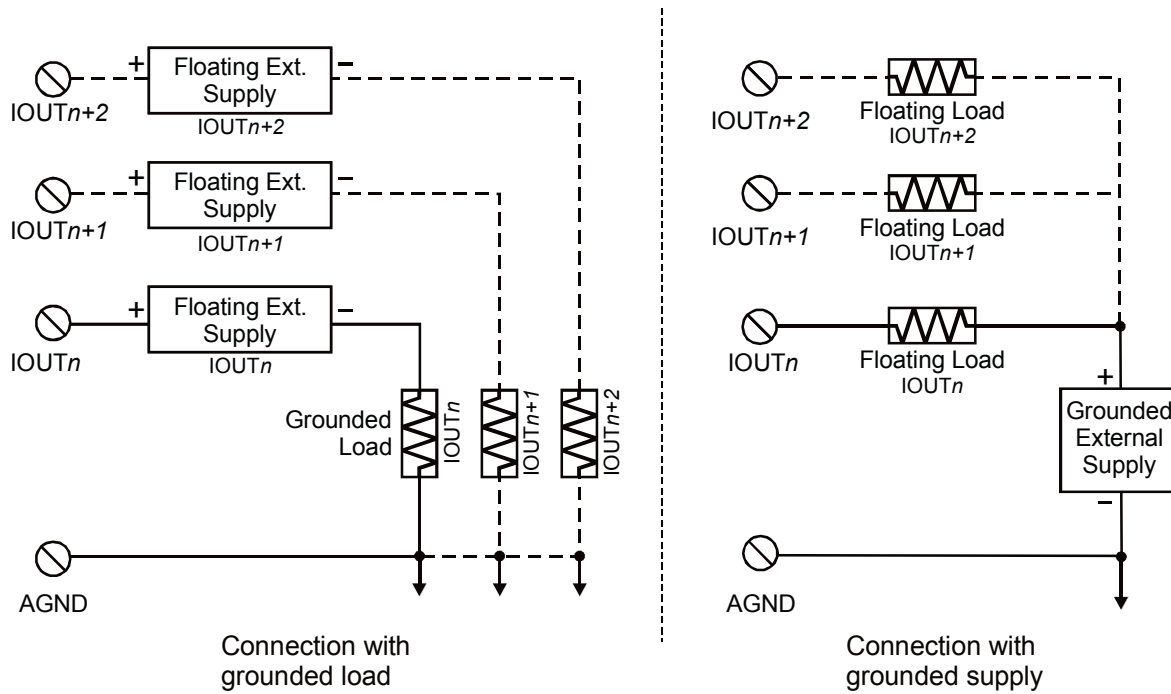


Figure 6. Typical analog current output circuit

Refer to the manufacturer's information for the device being controlled for additional details.

Current Test terminal (ITEST)

The **ITEST** connection (pin 51) is used with InstaCal to test the functionality of the analog current output (IOUT) pins. The ITEST connection circuit is shown in Figure 7.

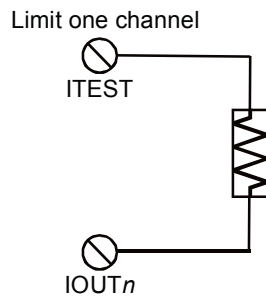


Figure 7. Current output test circuit

Do not test more than one current output pin at a time. The **ITEST** output is not adequate for application use. It is intended for test purposes only.

Digital I/O terminals (DIO0 to DIO7)

You can connect up to eight digital I/O lines to the screw terminals labeled **DIO0** to **DIO7** (pins 21 through 28). You can configure each digital bit for either input or output.

When you configure the digital bits for input, you can use the digital I/O terminals to detect the state of any TTL level input; refer to Figure 8. When the switch is set to the +5 V USER input, DIO7 reads *TRUE* (1). If you move the switch to DGND, DIO7 reads *FALSE* (0).

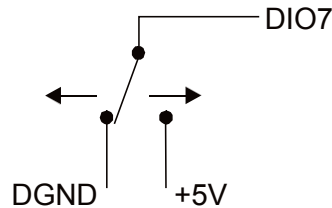


Figure 8. Schematic showing DIO7 detecting the state of a switch

For more information on digital signal connections

For more information on digital signal connections and digital I/O techniques, refer to the *Guide to Signal Connections* (available on our website at www.mccdaq.com/support/DAQ-Signal-Connections.aspx).

Digital I/O control terminal (DIO CTL) for pull-up/down configuration

All digital pins are floating by default. When inputs are floating, the state of unwired inputs are undefined (they may read high or low). You can configure the inputs to read a high or low value when they aren't wired. Use the **DIO CTL** connection (pin 54) to configure the digital pins for pull-up (inputs read high when unwired) or pull-down (inputs read low when unwired).

- To pull up the digital pins to +5V, wire the **DIO CTL** terminal pin to the **+5V** terminal pin.
- To pull down the digital pins to ground (0 volts), wire the **DIO CTL** terminal pin to a **DGND** terminal pin.

Ground terminals (AGND, DGND)

Eight analog ground (**AGND**) connections provide a common ground for all analog voltage and current output channels. Three digital ground (**DGND**) connections provide a common ground for the **DIO**, **CTR**, **SYNCLD** and **+5V** connections.

Synchronous DAC load terminal (SYNCLD)

The synchronous DAC load connection (pin 49) is a bidirectional I/O signal that allows you to simultaneously update the DAC outputs on multiple devices. You can use this pin for two purposes:

- Configure as an input (slave mode) to receive the D/A LOAD signal from an external source.
When the SYNCLD pin receives the trigger signal, the analog outputs are updated simultaneously.

SYNCLD pin must be logic low in slave mode for immediate update of DAC outputs

When the SYNCLD pin is in slave mode, the analog outputs can be updated immediately or when a positive edge is seen on the SYNCLD pin (this is under software control.)

The SYNCLD pin must be at a low logic level for DAC outputs to update immediately. If the external source supplying the D/A LOAD signal is pulling the SYNCLD pin high, no update will occur.

Refer to the "USB-3100 Series" section in the *Universal Library Help* for information on how to update DAC outputs immediately.

- Configure as an output (master mode) to send the internal D/A LOAD signal to the SYNCLD pin.
You can use the SYNCLD pin to synchronize with a second USB-3106 and simultaneously update the DAC outputs on each device. Refer to [Synchronizing multiple units](#) below.

Use software to configure the SYNCLD mode as master or slave. On power up and reset the SYNCLD pin is set to slave mode (input).

Counter terminal (CTR)

The **CTR** connection (pin 52) is the input to the 32-bit event counter. The internal counter increments when the TTL levels transition from low to high. The counter can count frequencies of up to 1 MHz.

Power terminal (+5V)

The **+5 V** connection (pin 56) draws power from the USB connector. This terminal is a +5V output.

Caution! The +5V terminal is an output. Do not connect to an external power supply or you may damage the USB-3106 and possibly the computer.

Synchronizing multiple units

You can connect the **SYNCLD** terminal pin (pin 49) of two USB-3106 units together in a master/slave configuration and simultaneously update the DAC outputs of both devices. Do the following.

1. Connect the SYNCLD pin of the master USB-3106 to the SYNCLD pin of the slave USB-3106.
2. Configure the SYNCLD pin on the slave device for input to receive the D/A LOAD signal from the master device. Use InstaCal to set the direction of the SYNCLD pin.
3. Configure the SYNCLD pin on the master device for output to generate an output pulse on the SYNCLD pin.

Set the Universal Library `SIMULTANEOUS` option for each device.

When the SYNCLD pin on the slave device receives the signal, the analog output channels on each device are updated simultaneously.

An example of a master/slave configuration is shown here.

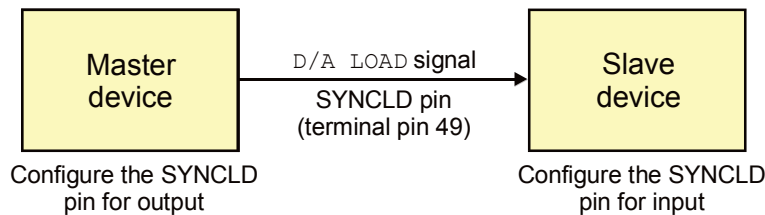


Figure 9. Synchronizing the update of multiple devices

Specifications

All specifications are subject to change without notice.

Typical for 25 °C unless otherwise specified.

Specifications in *italic text* are guaranteed by design.

Analog voltage output

Table 1. Analog voltage output specifications

Parameter	Condition	Specification
Digital to Analog converter		DAC8554
Number of channels (Note 1)		16
Resolution		16 bits
Output ranges	Calibrated	±10 V, 0 to 10 V Software configurable
	Un-calibrated	±10.2 V, -0.04 to 10.08 V Software configurable
Output transient	±10 V to (0 to 10 V) or (0 to 10 V) to ±10 V range selection. (Note 2)	Duration: 5 μ S typ Amplitude: 5V p-p typ
	Host PC is reset, powered on, suspended or a reset command is issued to device. (Note 3)	Duration: 2 S typ Amplitude: 2V p-p typ
	Initial power on	Duration: 50 mS typ Amplitude: 5V peak typ
Differential non-linearity (Note 4)	Calibrated	±1.25 LSB typ -2 LSB to +1 LSB max
	Un-calibrated	±0.25 LSB typ ±1 LSB max
Output current	VOUTx pins	±3.5 mA typ
Output short-circuit protection	VOUTx connected to AGND	Indefinite
Output coupling		DC
Power on and reset state		DACs cleared to zero-scale: 0 V, ±50 mV typ
		Output range: 0-10V
Output noise	0 to 10 V range	14.95 μ Vrms typ
	±10 V range	31.67 μ Vrms typ
<i>Settling time</i>	<i>to 1LSB accuracy</i>	<i>25 μS typ</i>
Slew rate	0 to 10 V range	1.20 V/ μ S typ
	±10 V range	1.20 V/ μ S typ
Throughput	Single-channel	100 Hz max, system dependent
	Multi-channel	100 Hz/#ch max, system dependent

Note 1: Each of the four DAC8554 outputs controls a VOUTx and IOUTx channel-pair simultaneously. So, for example, when writing to channel VOUT0, the associated IOUT0 channel will also be updated. Conversely, when writing to channel IOUT0, the associated VOUT0 channel is also updated. Unused VOUTx and IOUTx output channels should be left disconnected.

Note 2: The USB-3106 output voltage level defaults to 0V whenever the output voltage range is reconfigured. The USB-3106 output voltage level will also default to 0V:
 1) Whenever the host PC is reset, shut down or suspended.
 2) If a reset command is issued to the device.

Note 3: The duration of this output transient is highly dependent on the enumeration process of the host PC. Typically the output of the device is stable after 2 seconds.

Note 4: The maximum differential non-linearity specification applies to the entire 0 to 50 °C temperature range of the USB-3106. This specification also accounts for the maximum errors due to the software calibration algorithm (in Calibrated mode only) and the DAC8554 digital to analog converter non-linearities.

Table 2. Absolute accuracy specifications – calibrated output

Range	Accuracy (\pm LSB)
± 10 V	14.0
0 to 10 V	22.0

Table 3. Absolute accuracy components specifications – calibrated output

Range	% of reading	Offset (\pm mV)	Temp drift (%/°C)	Absolute accuracy at FS (\pm mV)
± 10 V	± 0.0183	1.831	0.00055	3.661
0 to 10 V	± 0.0183	0.915	0.00055	2.746

Table 4. Relative accuracy specifications

Range	Relative accuracy (\pm LSB)	
± 10 V , 0 to 10 V	4.0 typ	12.0 max

Analog current output

Table 5. Analog current output specifications

Parameter	Condition	Specification
Number of channels (Note 5)		16
Resolution		16 bits
Output ranges	Calibrated	0 to 20 mA typ
	Uncalibrated	0 to 25 mA typ
Compliance voltage range (Note 6)	Calibrated output	+8 V min +36 V max
Differential non-linearity (Note 7)	Calibrated	± 1.25 LSB typ -2 LSB to +1 LSB max
	Un-calibrated	± 0.25 LSB typ -1 LSB to +1 LSB max
Absolute accuracy	Compliance voltage = +13V Resistive load = 100 Ω	$\pm 0.05\%$ of full scale range
IOUTx leakage current	All zeros written to IOUTx channel	100nA typ (each individual IOUT channel)
Settling time	Full scale step to 1LSB accuracy Compliance voltage = 12V, Rload = 500 Ω	25 μ S typ
Throughput	Single-channel	100 Hz max, system dependent
	Multi-channel	100 Hz/#ch max, system dependent

Note 5: Each of the four DAC8554 outputs controls a VOUTx and IOUTx channel-pair simultaneously. So, for example, when writing to channel VOUT0, the associated IOUT0 channel will also be updated. Conversely, when writing to channel IOUT0, the associated VOUT0 channel is also updated. Unused VOUTx and IOUTx output channels should be left disconnected.

Note 6: The following formula will calculate the maximum load resistance for correct IOUT circuit operation. The compliance voltage applied should not exceed the limits specified in Table 5.
 Calibrated Output: Load Resistance = (Compliance Voltage – 6 V)/0.020 A
 Un-Calibrated Output: Load Resistance = (Compliance Voltage – 6 V)/0.025 A

Note 7: The maximum differential non-linearity specification applies to the entire 0 to 70 °C temperature range of the USB-3106. This specification also accounts for the maximum errors due to the software calibration algorithm (in Calibrated mode only) and the DAC8554 digital to analog converter non-linearities.

Analog output calibration

Table 6. Analog output calibration specifications

Parameter	Specification
Recommended warm-up time	15 minutes min
On-board precision reference	DC level: 5.000 V \pm 1 mV max
	Tempco: \pm 10 ppm/ $^{\circ}$ C max
	Long term stability: \pm 10 ppm/SQRT(1000 hrs)
Calibration method	Software calibration
Calibration interval	1 year

Digital input/output

Table 7. Digital I/O specifications

Parameter	Specification
Digital logic type	CMOS
Number of I/O	8
Configuration	Independently configured for input or output
Pull-up/pull-down configuration (Note 8)	User configurable All pins floating (default)
Digital I/O input loading	TTL (default)
	47 k Ω (pull-up/pull-down configurations)
Digital I/O transfer rate (system paced)	System dependent, 33 to 1000 port reads/writes or single bit reads/writes per second.
Input high voltage	2.0 V min, 5.5 V absolute max
Input low voltage	0.8 V max, -0.5 V absolute min
Output high voltage (IOH = -2.5 mA)	3.8 V min
Output low voltage (IOL = 2.5 mA)	0.7 V max
Power on and reset state	Input

Note 8: Pull up and pull down configuration area available using the DIO CTL terminal block pin 54. The pull-down configuration requires the DIO CTL pin (pin 54) to be connected to a DGND pin (pin 50, 53 or 55). For a pull-up configuration, the DIO CTL pin should be connected to the +5V terminal pin (pin 56).

Synchronous DAC Load

Table 8. SYNCLD I/O specifications

Parameter	Condition	Specification
Pin name		SYNCLD (terminal block pin 49)
Power on and reset state		Input
Pin type		Bidirectional
Termination		Internal 100K ohms pull-down
Software selectable direction	Output	Outputs internal D/A LOAD signal.
	Input	Receives D/A LOAD signal from external source.
Input clock rate		100 Hz max
Clock pulse width	Input	1 μ s min
	Output	5 μ s min
<i>Input leakage current</i>		$\pm 1.0 \mu A$ typ
Input high voltage		4.0 V min, 5.5 V absolute max
Input low voltage		1.0 V max, -0.5 V absolute min
Output high voltage (Note 9)	IOH = -2.5 mA	3.3 V min
	No load	3.8 V min
Output low voltage (Note 10)	IOL = 2.5 mA	1.1 V max
	No load	0.6 V max

Note 9: SYNCLD is a Schmitt trigger input and is over-current protected with a 200 Ohm series resistor.

Note 10: When SYNCLD is in input mode, the analog outputs may either be updated immediately or when a positive edge is seen on the SYNCLD pin (this is under software control.) However, the pin must be at a low logic level for the DAC outputs to be updated immediately. If an external source is pulling the pin high, no update will occur.

Counter

Table 9. CTR I/O specifications

Parameter	Condition	Specification
Pin name		CTR
Number of channels		1
Resolution		32-bits
Counter type		Event counter
Input type		TTL, rising edge triggered
Counter read/writes rates (software paced)	Counter read	System dependent, 33 to 1000 reads per second.
	Counter write	System dependent, 33 to 1000 reads per second.
Schmidt trigger hysteresis		20 mV to 100 mV
<i>Input leakage current</i>		$\pm 1.0 \mu A$ typ
Input frequency		1 MHz max
<i>High pulse width</i>		500 ns min
<i>Low pulse width</i>		500 ns min
Input high voltage		4.0 V min, 5.5 V absolute max
Input low voltage		1.0 V max, -0.5 V absolute min

Memory

Table 10. Memory specifications

Parameter	Specification		
EEPROM	256 bytes		
EEPROM configuration	Address range	Access	Description
	0x000-0x0FF	Read/write	256 bytes user data

Microcontroller

Table 11. Microcontroller specifications

Parameter	Specification
Type	High performance 8-bit RISC microcontroller
Program memory	16,384 words
Data memory	2,048 bytes

Power

Table 12. Power specifications

Parameter	Condition	Specification
Supply current	USB enumeration	< 100 mA
Supply current (Note 11)	Quiescent current	200 mA typ
+5V user output voltage range (Note 12)	Available at terminal block pin 56	4.5 V min, 5.25 V max
+5V user output current (Note 13)	Available at terminal block pin 56	10 mA max
ITEST output voltage range	Available at terminal block pin 51	13 V, $\pm 1\%$ typ
ITEST output current (Note 14)	Available at terminal block pin 51	30 mA max

Note 11: This is the total quiescent current requirement for the USB-3106 which includes up to 10 mA for the status LED. This does not include any potential loading of the digital I/O bits, +5 V user terminal, ITEST, or the VOUTx/IOUTx outputs.

Note 12: Output voltage range assumes USB power supply is within specified limits.

Note 13: This refers to the total amount of current that can be sourced from the +5 V user terminal (pin 56) for general use. This specification also includes any additional contribution due to DIO loading.

Note 14: This refers to the total maximum amount of current that can be sourced from the ITEST user terminal (pin 51). The ITEST terminal pin should only be used for biasing individual IOUTx outputs in order to facilitate functional testing. A load resistor of 100 Ω should be placed in series between the ITEST pin and the IOUTx pin for proper operation.

USB specifications

Table 13. USB specifications

Parameter	Specification
USB device type	USB 2.0 (full-speed)
USB device compatibility	USB 1.1, 2.0
USB cable length	3 m (9.84 ft) max
USB cable type	A-B cable, UL type AWM 2527 or equivalent (min 24 AWG VBUS/GND, min 28 AWG D+/D-).

Environmental

Table 14. Environmental specifications

Parameter	Specification
Operating temperature range	0 to 50 °C
Storage temperature range	-40 to 85 °C
Humidity	0 to 90% non-condensing

Mechanical

Table 15. Mechanical specifications

Parameter	Specification
Dimensions (L × W × H)	127 × 89.9 × 35.6 mm (5.00 × 3.53 × 1.40 in.)

Screw terminal connector

Table 16. Screw terminal connector specifications

Parameter	Specification
Connector type	Screw terminal
Wire gauge range	16 AWG to 30 AWG

Pin	Signal Name	Pin	Signal Name
1	VOUT0	29	VOUT1
2	IOUT0	30	IOUT1
3	VOUT2	31	VOUT3
4	IOUT2	32	IOUT3
5	AGND	33	AGND
6	VOUT4	34	VOUT5
7	IOUT4	35	IOUT5
8	VOUT6	36	VOUT7
9	IOUT6	37	IOUT7
10	AGND	38	AGND
11	VOUT8	39	VOUT9
12	IOUT8	40	IOUT9
13	VOUT10	41	VOUT11
14	IOUT10	42	IOUT11
15	AGND	43	AGND
16	VOUT12	44	VOUT13
17	IOUT12	45	IOUT13
18	VOUT14	46	VOUT15
19	IOUT14	47	IOUT15
20	AGND	48	AGND
21	DIO0	49	SYNCLD
22	DIO1	50	DGND
23	DIO2	51	ITEST
24	DIO3	52	CTR
25	DIO4	53	DGND
26	DIO5	54	DIO CTL
27	DIO6	55	DGND
28	DIO7	56	+5V

CE EU Declaration of Conformity
According to ISO/IEC 17050-1:2010

Manufacturer: Measurement Computing Corporation
Address: 10 Commerce Way
Norton, MA 02766
USA
Product Category: Electrical equipment for measurement, control and laboratory use.
Date and Place of Issue: October 10, 2017, Norton, Massachusetts USA
Test Report Number: EMI4712.07/EMI5193.08

Measurement Computing Corporation declares under sole responsibility that the product

USB-3106

is in conformity with the relevant Union Harmonization Legislation and complies with the essential requirements of the following applicable European Directives:

Electromagnetic Compatibility (EMC) Directive 2014/30/EU

Low Voltage Directive 2014/35/EU

RoHS Directive 2011/65/EU

Conformity is assessed in accordance to the following standards:

EMC:

Emissions:

- EN 61326-1:2013 (IEC 61326-1:2012), Class A
- EN 55011: 2009 + A1:2010 (IEC CISPR 11:2009 + A1:2010), Group 1, Class A

Immunity:

- EN 61326-1:2013 (IEC 61326-1:2012), Controlled EM Environments
- EN 61000-4-2:2008 (IEC 61000-4-2:2008)
- EN 61000-4-3 :2010 (IEC61000-4-3:2010)

Safety:

- EN 61010-1 (IEC 61010-1)

Environmental Affairs:

Articles manufactured on or after the Date of Issue of this Declaration of Conformity do not contain any of the restricted substances in concentrations/applications not permitted by the RoHS Directive.



Carl Haapaoja, Director of Quality Assurance

Measurement Computing Corporation
10 Commerce Way
Norton, Massachusetts 02766
(508) 946-5100
Fax: (508) 946-9500
E-mail: info@mccdaq.com
www.mccdaq.com

NI Hungary Kft
H-4031 Debrecen, Hátar út 1/A, Hungary
Phone: +36 (52) 515400
Fax: +36 (52) 515414
<http://hungary.ni.com/debrecen>