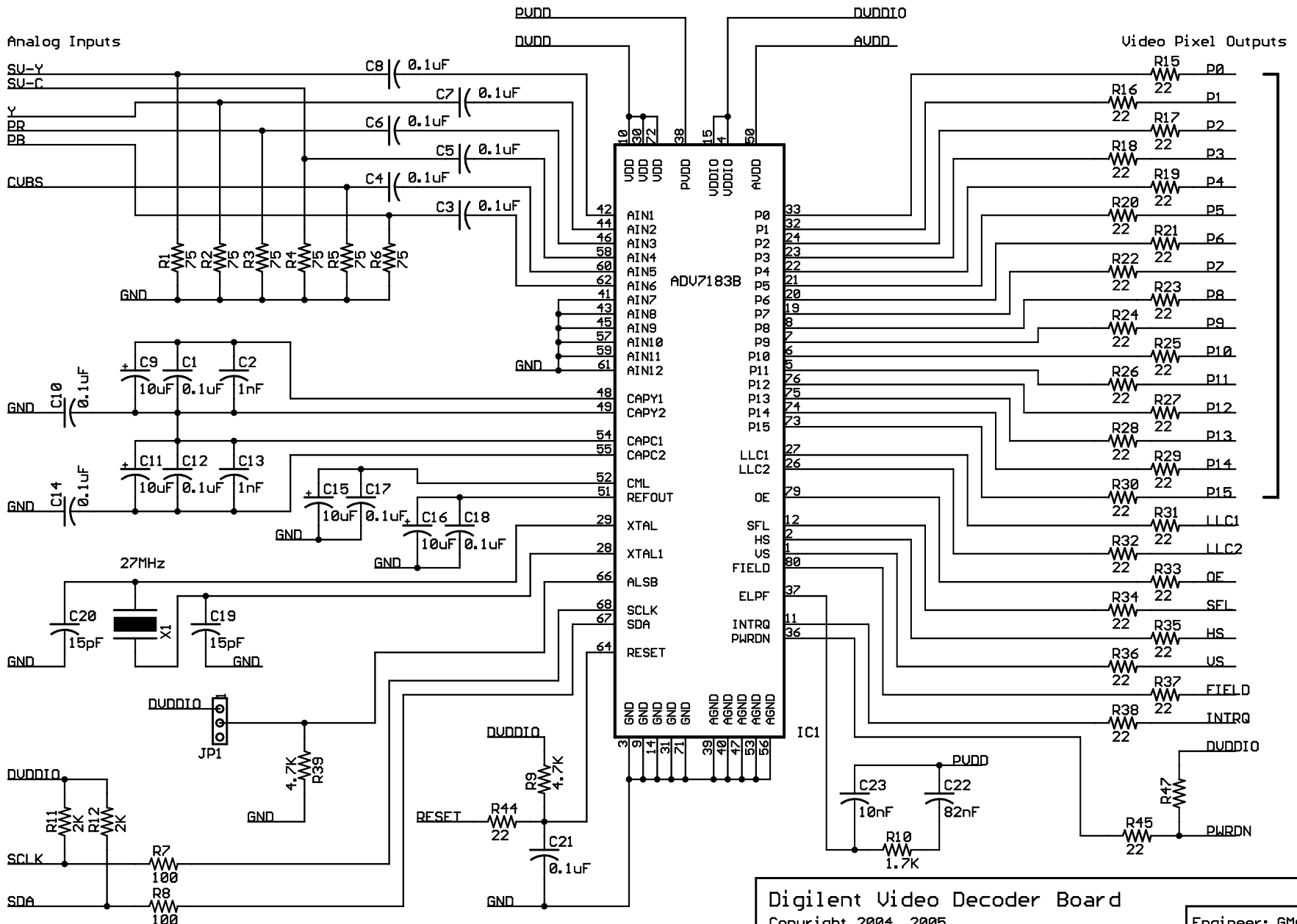
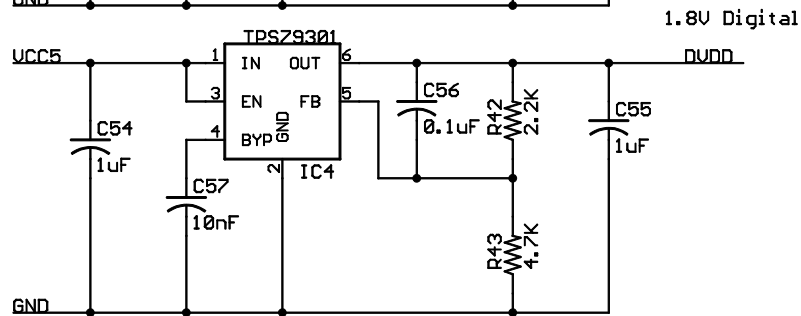
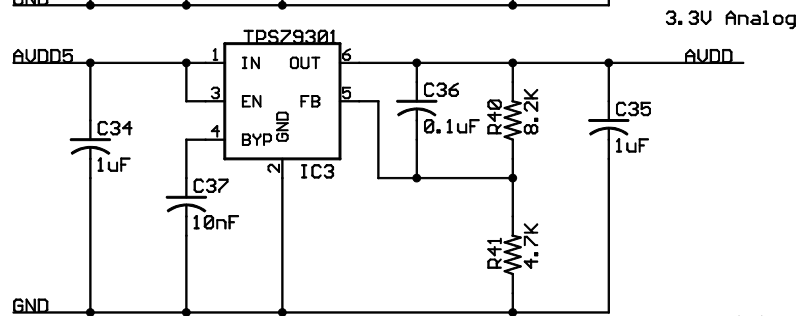
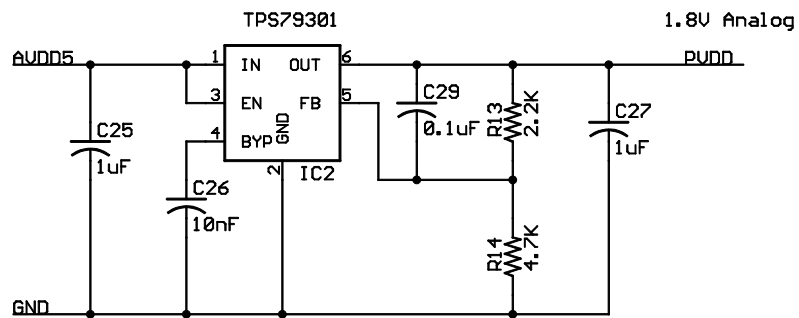
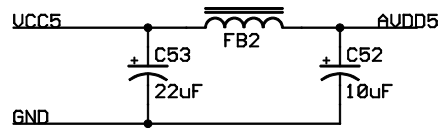
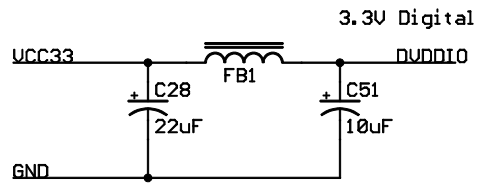


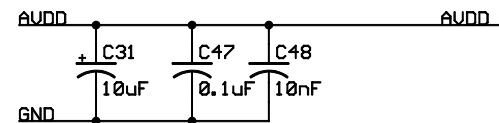
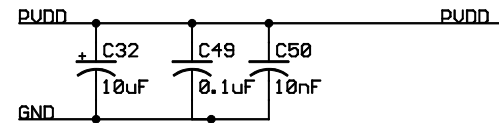
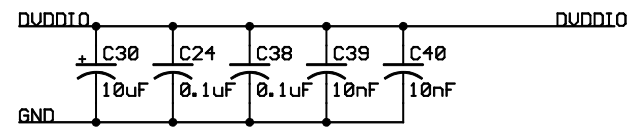
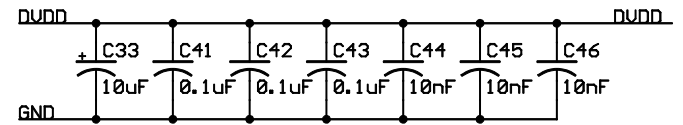
Digilent Video Decoder Board	
Copyright 2004, 2005	Engineer: GMA
TITLE: VDEC1	Author: GMA
Document Number: 500-080	Rev: C
Release Date: 2/24/2005	Sheet: 1/3



Digilent Video Decoder Board		Engineer: GMA
Copyright 2004, 2005		Author: GMA
TITLE: VDEC1		Rev: C
Document Number: 500-080		Sheet: 2/3
Release Date: 2/24/2005		



Power Decoupling



Digilent Video Decoder Board	
Copyright 2004, 2005	Engineer: GMA
TITLE: VDEC1	Author: GMA
Document Number: 500-080	Rev: C
Release Date: 2/24/2005	Sheet: 3/3