

Digilent PmodUSB2 Module Board



www.digilentinc.com

Revision 3/11/05

215 E Main Suite D | Pullman, WA 99163
(509) 334 6306 Voice and Fax

Features

- USB 2.0 connector
- status indicator LED
- Cypress CY7C68013 USB controller
- small form factor (3.00" x 2.20")

Functional Description

The Digilent PmodUSB2 Module Board (the USB2) is used to connect any Digilent system board to a USB 2.0 connection.

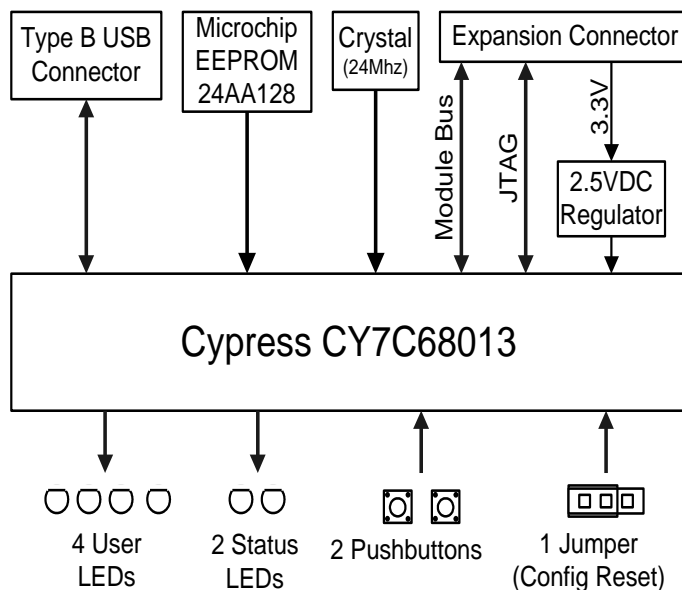
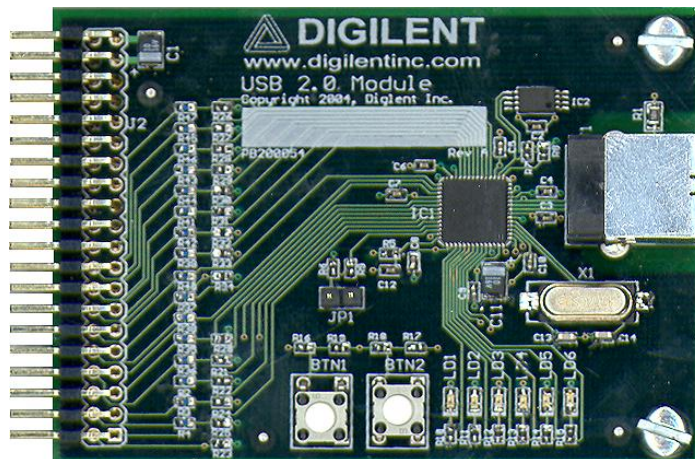
The USB2 is based on the Cypress CY7C68013 USB controller and can be used to configure system boards or exchange data with a PC.

Digilent firmware in the Cypress USB controller works with Digilent's PC-based Adept software to coordinate JTAG programming and user data transfers. The user data port uses the 14-signal "Enhanced Parallel Port" (EPP) protocol.

The firmware in the Cypress USB controller can be modified using the Cypress EZ-USB development kit available from Cypress. For more information, see www.cypress.com. Digilent does not offer user support for modifying the firmware.

The USB2 is compatible with all newer Digilent system boards including the Spartan-3, Pegasus, D2SB™, and D2FT™ boards. It can also be used with the older D2 and D2E boards for user data transfers, but not for programming.

For more information, see the reference manuals at www.digilentinc.com.



USB2 Circuit Diagram