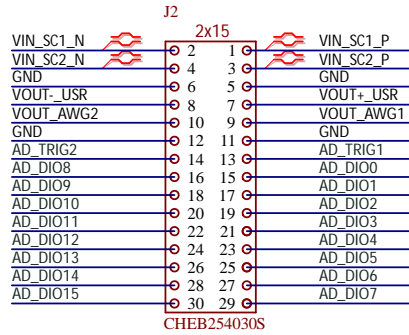
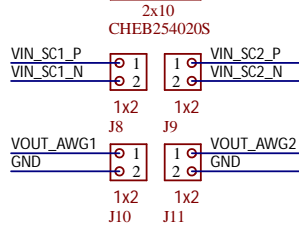
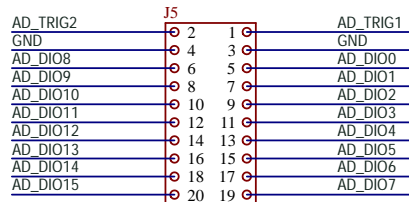


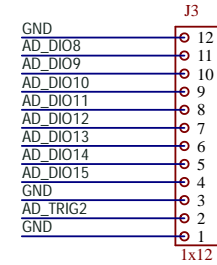
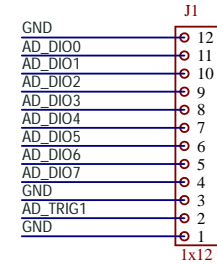
ANALOG DISCOVERY INPUTS



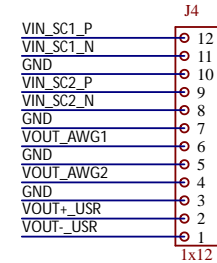
ANALOG DISCOVERY STUDIO INPUTS



ANALOG DISCOVERY / ANALOG DISCOVERY STUDIO OUTPUTS



ANALOG DISCOVERY OUTPUTS



BreadBoard VCC/GND BB1

BreadBoard Signal BB2

BreadBoard VCC/GND BB3

BreadBoard Signal BB4

Foot F1

Foot F2

Foot F3

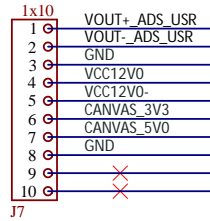
Foot F4

Terms of Use. The contents are provided "AS IS". DIGILENT DISCLAIMS ALL WARRANTIES, EITHER EXPRESS OR IMPLIED, INCLUDING, BUT NOT LIMITED TO, THE IMPLIED WARRANTIES OF MERCHANTABILITY, FITNESS FOR A PARTICULAR PURPOSE, AND NON-INFRINGEMENT OF INTELLECTUAL PROPERTY. The contents could contain technical inaccuracies, typographical errors or out-of-date information. Information may be updated or changed at any time, without notice. Use of such information is therefore at your own risk. Digilent may at any time revise these Terms of Use. You are bound by such revisions and should therefore visit <https://store.digilentinc.com/terms-of-use/> to review the current Terms of Use.

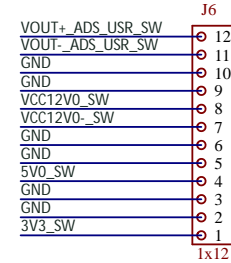
Limitation of Liability. DIGILENT WILL NOT BE LIABLE FOR DIRECT, INDIRECT, SPECIAL, INCIDENTAL, COVER, ECONOMIC, OR CONSEQUENTIAL DAMAGES ARISING OUT OF THE USE OR INABILITY TO USE THE CONTENTS EVEN IF DIGILENT IS ADVISED OF THE POSSIBILITY OF SUCH DAMAGES.

Title		Analog Discovery Canvas A.0	
Circuit		Circuit Description	
Doc#	500-412		
Engineer	MTA		
Author	GMA		
Date	10/1/20		
Sheet#	1 out of 2	Copyright 2020	

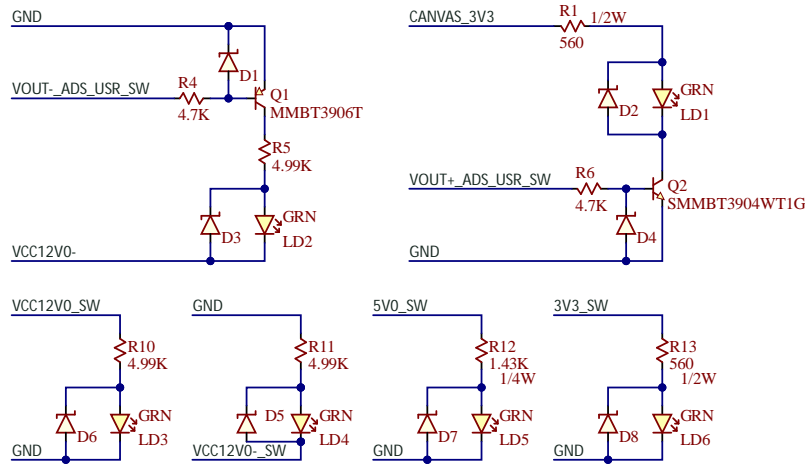
ANALOG DISCOVERY STUDIO INPUTS



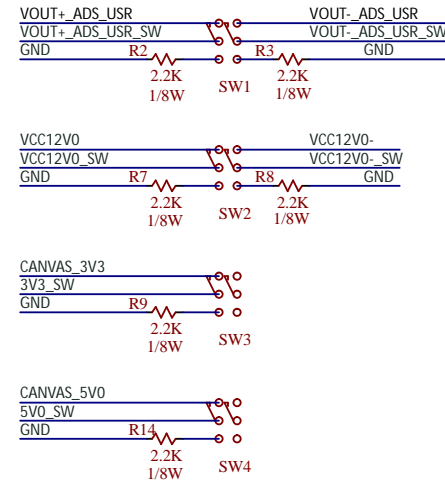
ANALOG DISCOVERY STUDIO OUTPUTS



POWER LEDES



POWER SWITCHES



Title		Rev
Analog Discovery Canvas		A.0
Circuit		
Doc#	500-412	
Engineer	MTA	
Author	GMA	
Date	10/1/20	
Sheet#	2 out of 2	



Copyright 2020