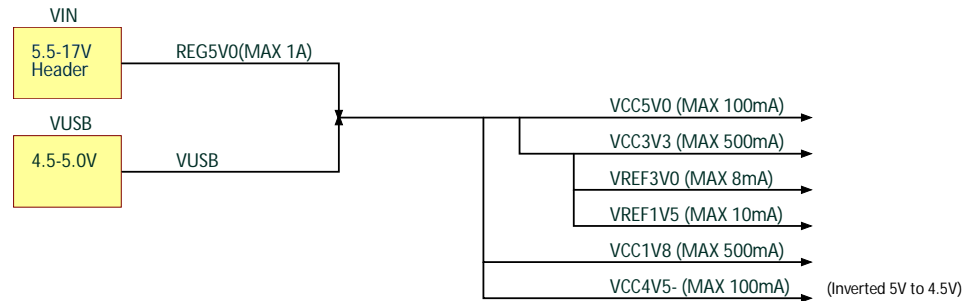


OpenLogger MZ

INDEX

1. Index, Power Map
2. IO Connector, LEDs, Buttons
3. Analog Front End
4. Analog to Digital Converter
5. Digital to Analog Converters
6. Digital Outputs
7. WiFi and SD Card
8. USB and Programming
9. PIC32 Ports A-E
10. PIC32 Ports F-K
11. PIC32 Power
12. Power Regulation

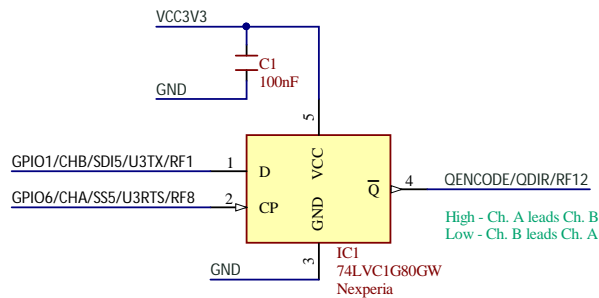
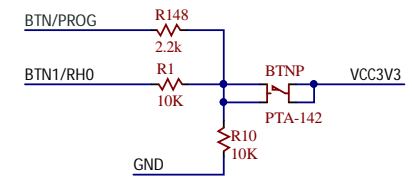
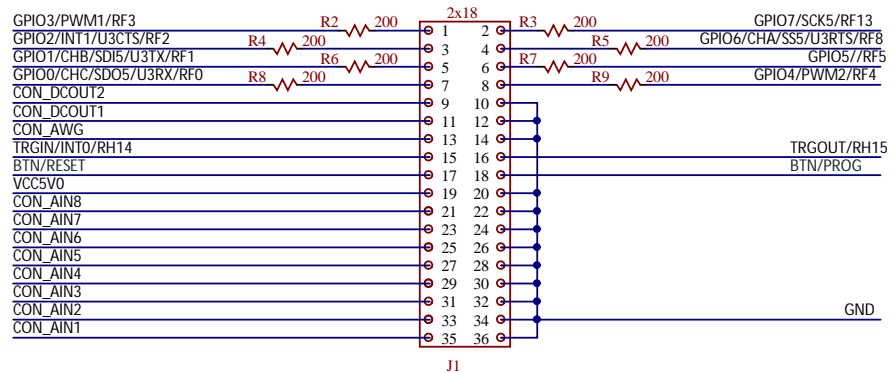
POWER MAP



This product is provided "AS IS" and "WITH ALL FAULTS". Digilent disclaims all other warranties express or implied, regarding this product, including but not limited to, any implied warranties of merchantability or fitness for any particular application. Digilent may make changes to specifications and product descriptions at any time, without notice.

Title OpenLogger MZ		Rev D.0 Copyright 2018
Circuit	INDEX	
Doc#	500-364	
Engineer	KV	
Author	GMA	
Date	8/29/2018	
Sheet#	1 out of 12	



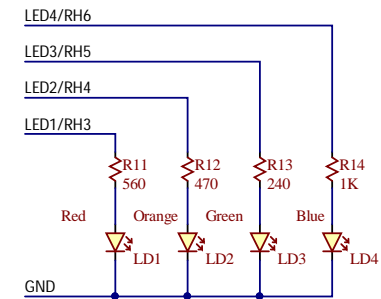


Quadrature Encoder

IC1
74LVC1G80GW
Nexperia

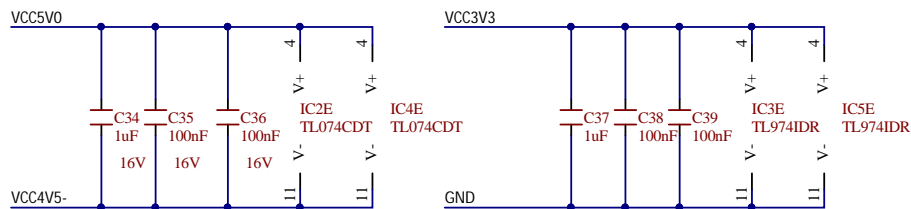
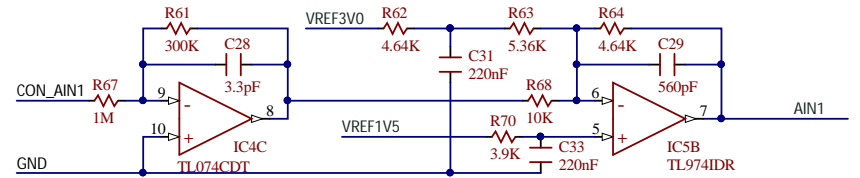
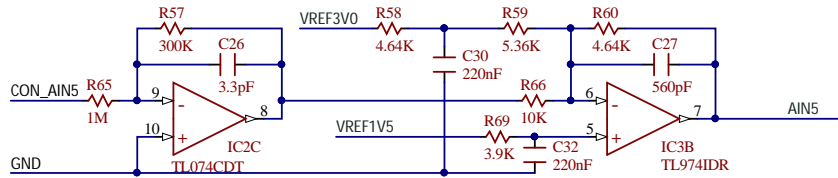
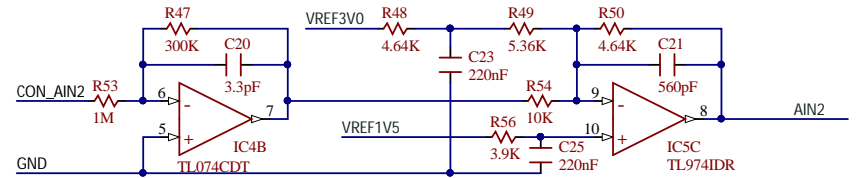
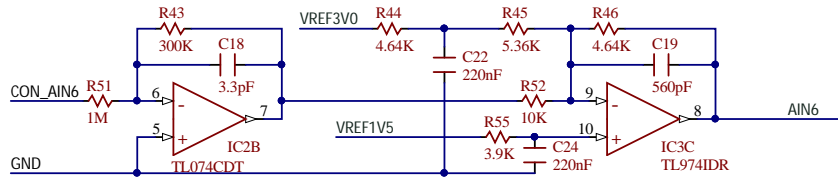
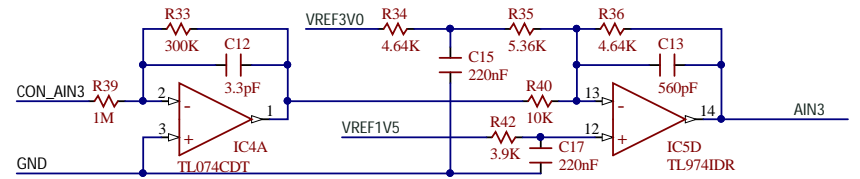
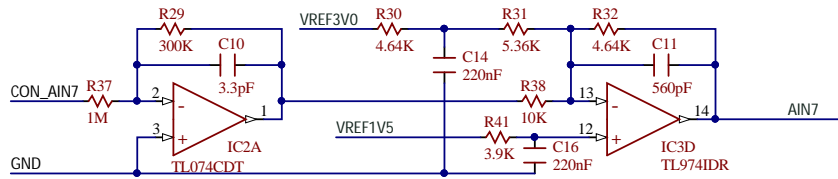
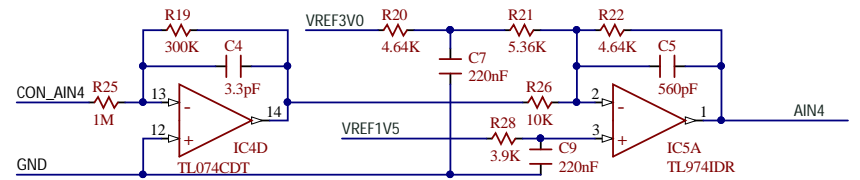
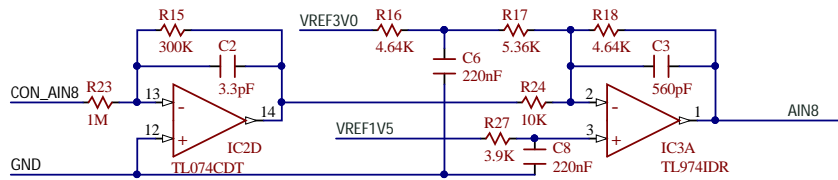
High - Ch. A leads Ch. B
Low - Ch. B leads Ch. A

Channel A - T3CK for pulse count and position
Channel B - T6&7, IC7 for pulse period and speed
Channel C - T6&7, IC8 for direct RPM measurement



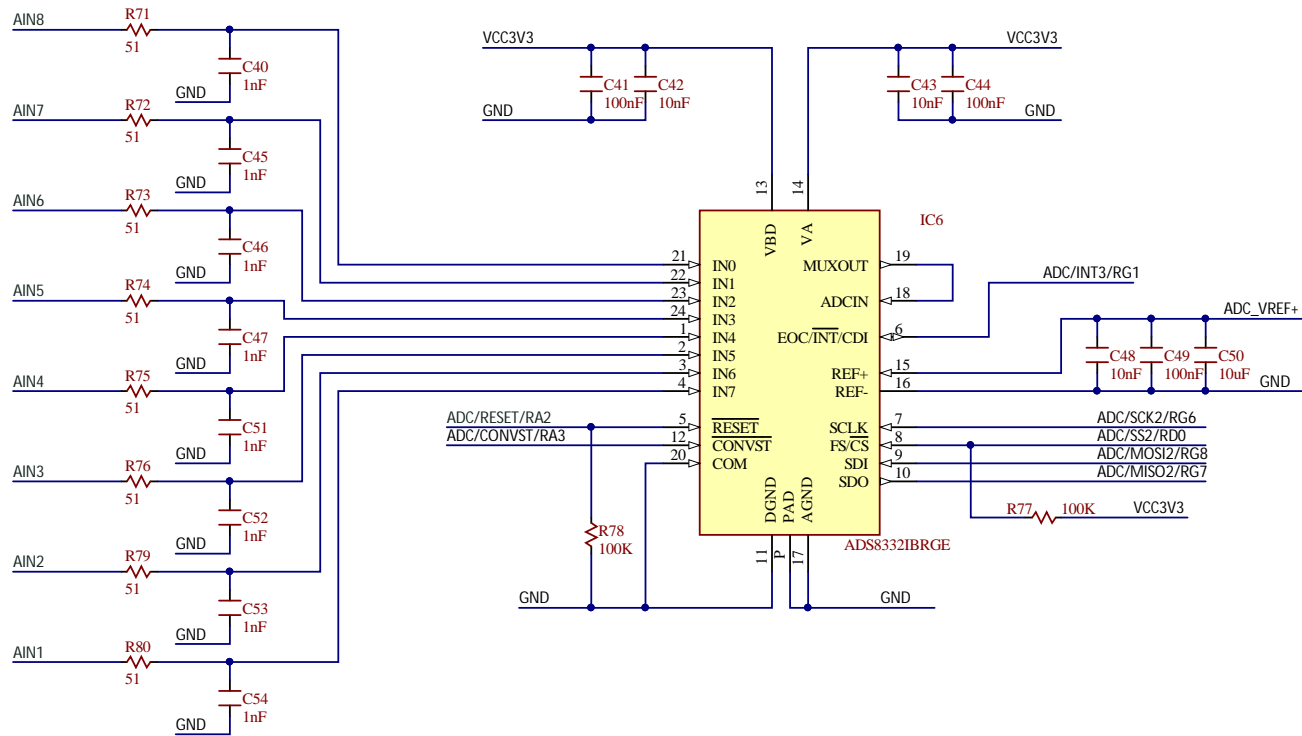
Title		Rev
OpenLogger MZ		D.0
		Copyright 2018
Circuit	IO and Connector	
Doc#	500-364	
Engineer	KV	
Author	GMA	
Date	8/29/2018	
Sheet#	2 out of 12	





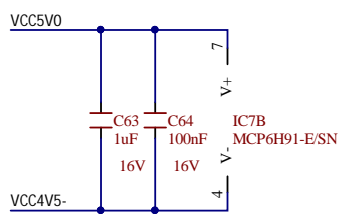
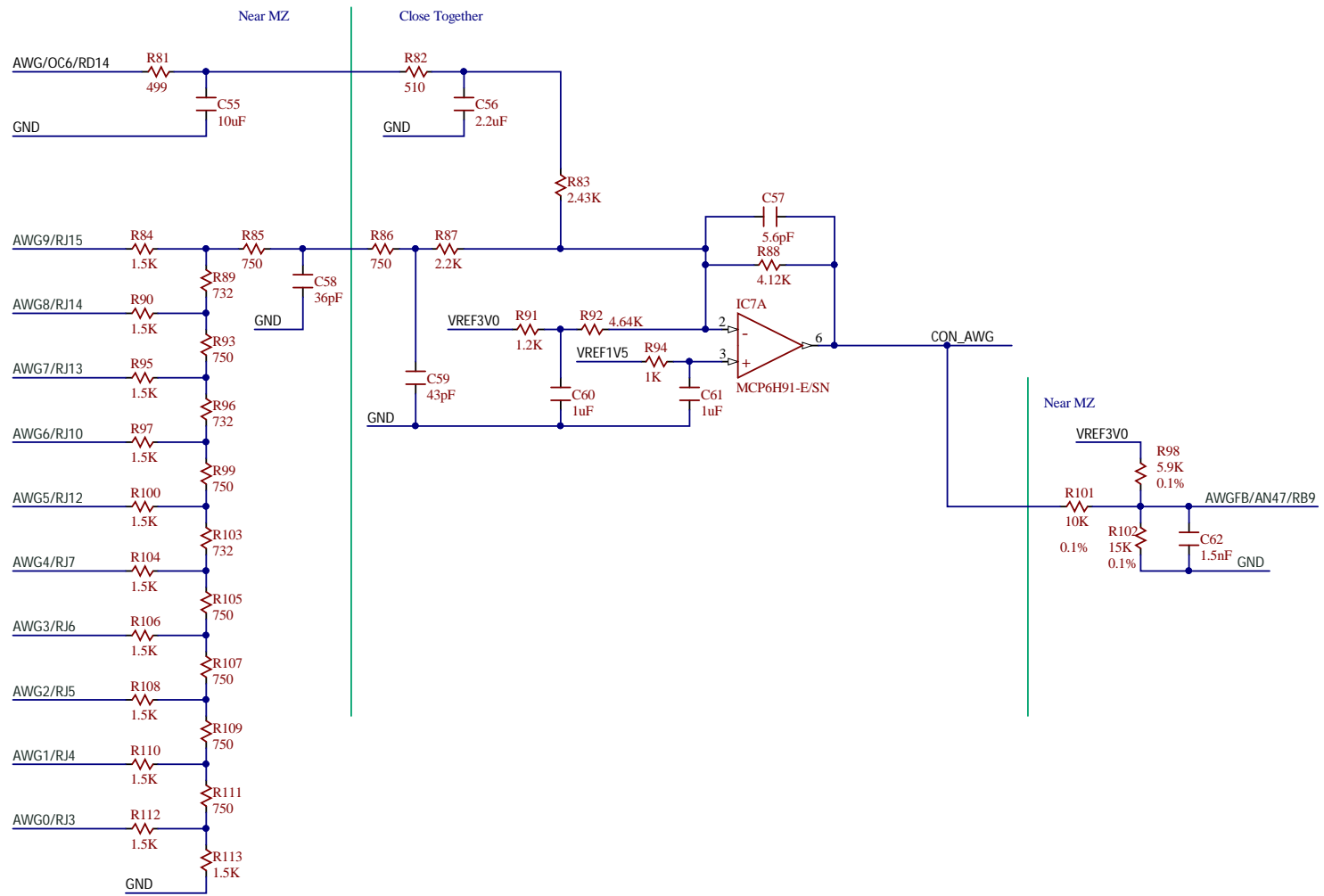
Title		Rev
OpenLogger MZ		D.0
		Copyright 2018
Circuit	Analog Front End	
Doc#	500-364	
Engineer	KV	
Author	GMA	
Date	8/29/2018	
Sheet#	3 out of 12	



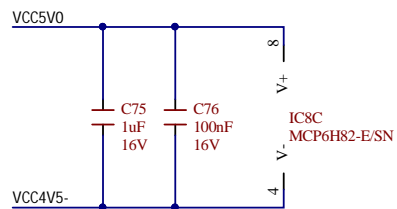
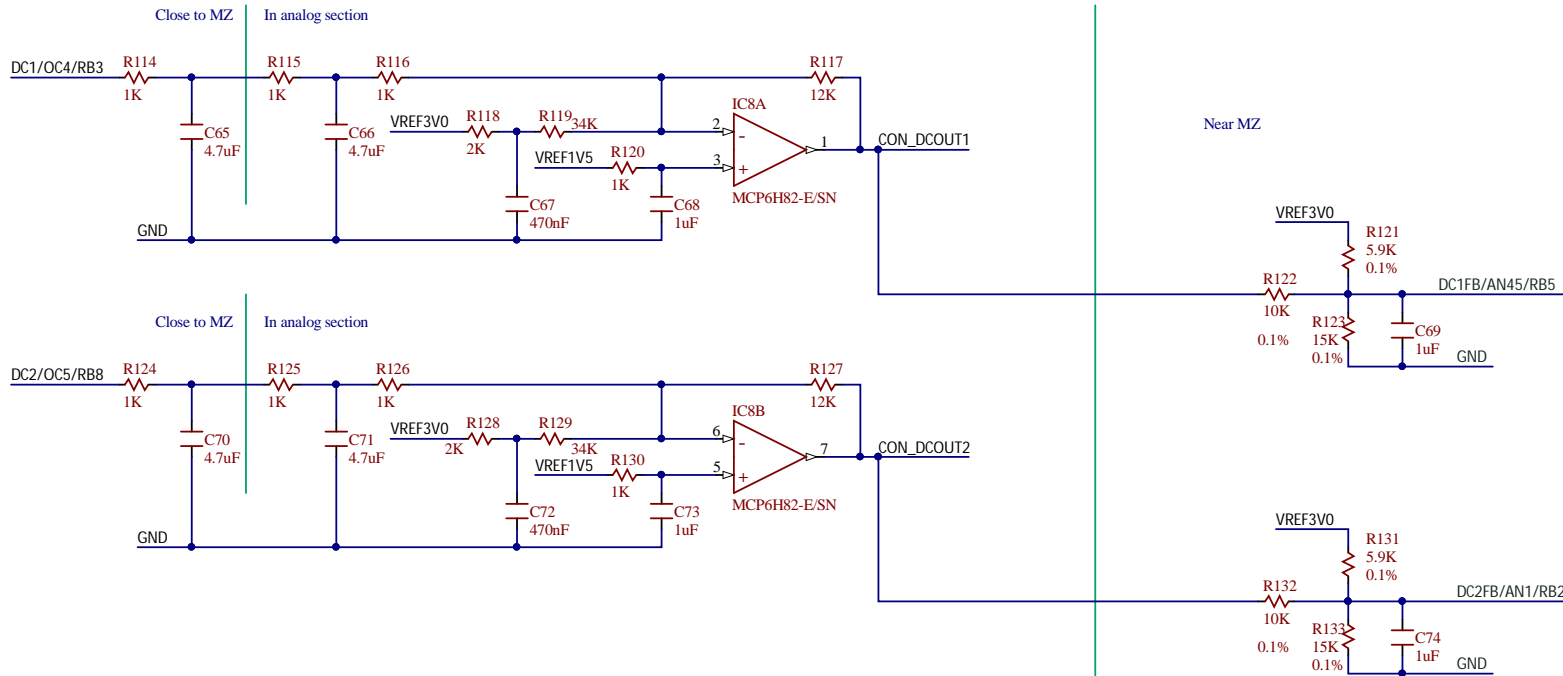


Title		Rev
OpenLogger MZ		D.0
		Copyright 2018
Circuit		
AD Converter		
Doc#	500-364	
Engineer	KV	
Author	GMA	
Date	8/29/2018	
Sheet#	4 out of 12	



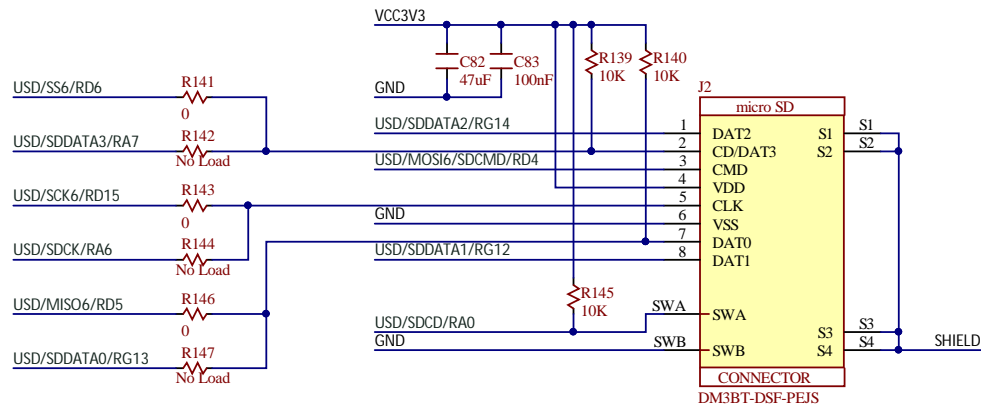
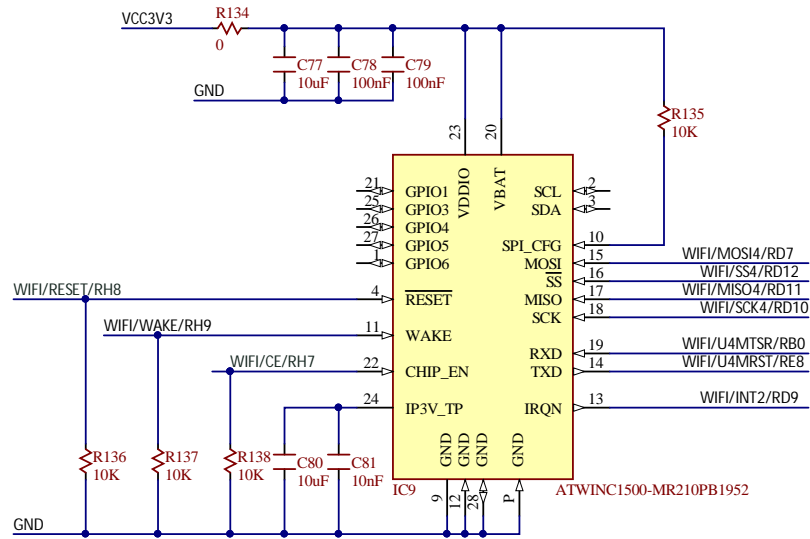


Title		OpenLogger MZ		Rev		D.0	
Doc#		500-364		Copyright		2018	
Circuit		DA Converter					
Date		8/29/2018					
Author		GMA					
Engineer		KV					
Sheet#		5 out of 12					



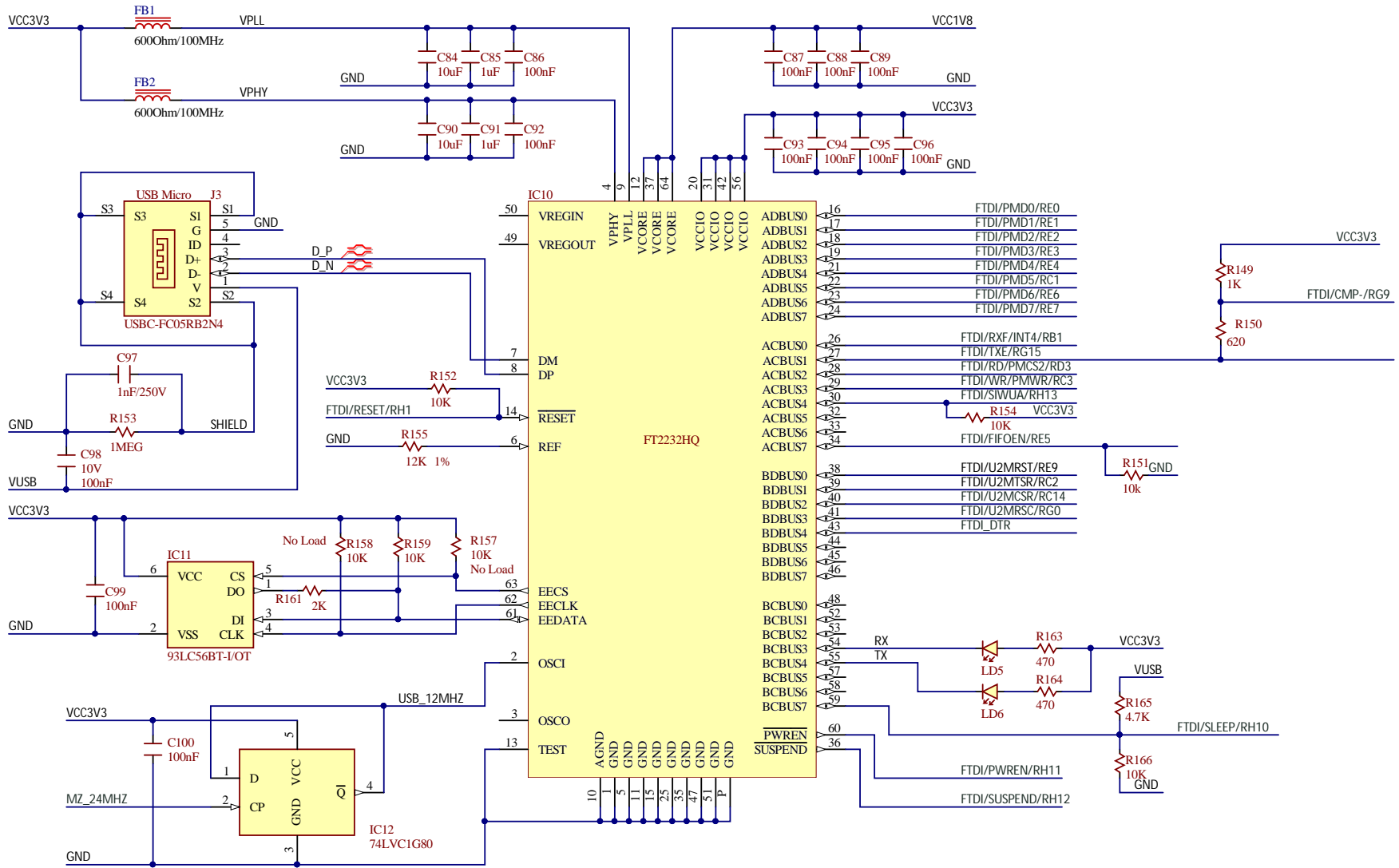
Title		Rev	
OpenLogger MZ		D.0	
Circuit		Copyright 2018	
Digital Outputs			
Doc#	500-364		
Engineer	KV		
Author	GMA		
Date	8/29/2018		
Sheet#	6 out of 12		





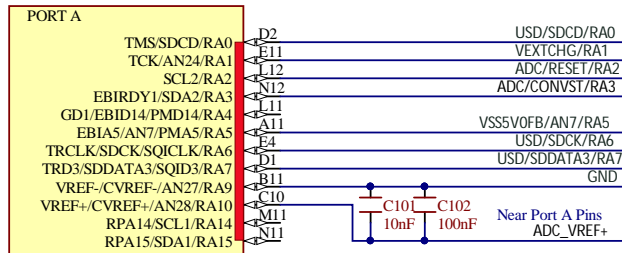
Title		Rev	
OpenLogger MZ		D.0	
Circuit		Copyright 2018	
Wifi, SD Card			
Doc#	500-364		
Engineer	KV		
Author	GMA		
Date	8/29/2018		
Sheet#	7 out of 12		



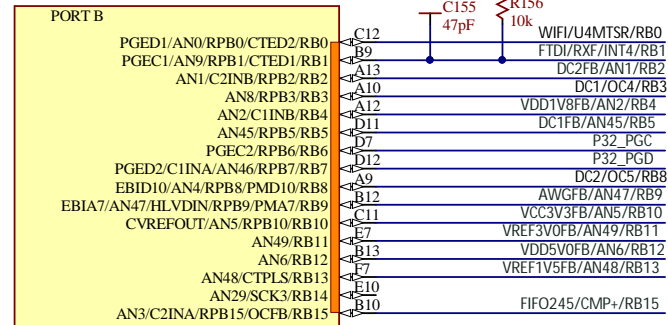


Title		Rev
OpenLogger MZ		D.0
Circuit		Copyright 2018
USB PROG/UART		
Doc#	500-364	
Engineer	KV	
Author	GMA	
Date	8/29/2018	
Sheet#	8 out of 12	

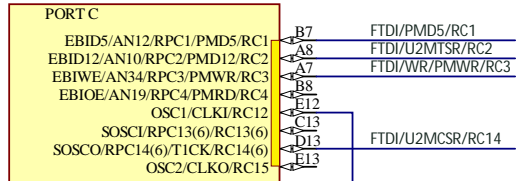




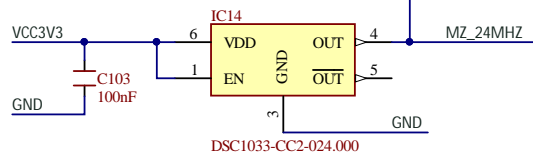
IC13A PIC32MZ2064DAG169-I/6J



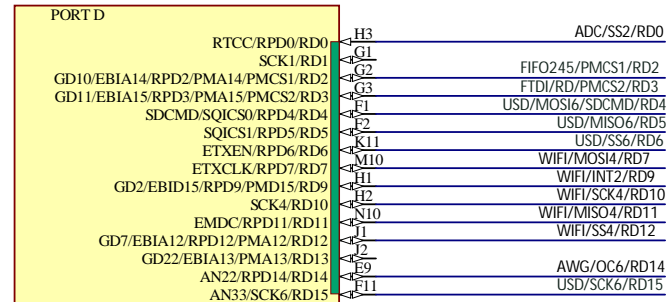
IC13B PIC32MZ2064DAG169-I/6J



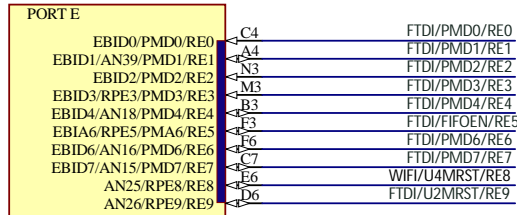
IC13C PIC32MZ2064DAG169-I/6J



DSC1033-CC2-024.000



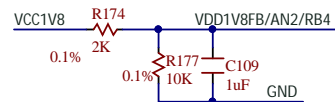
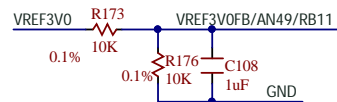
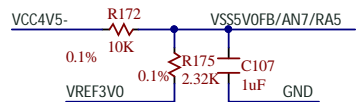
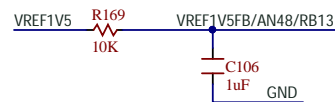
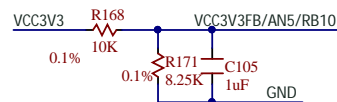
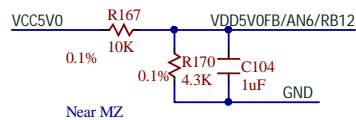
IC13D PIC32MZ2064DAG169-I/6J



IC13E PIC32MZ2064DAG169-I/6J

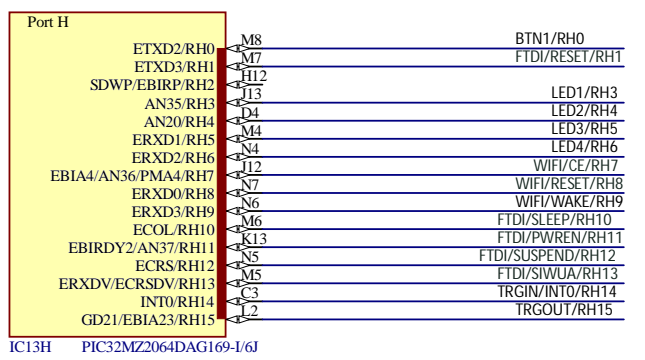
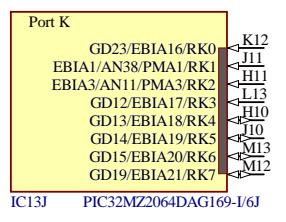
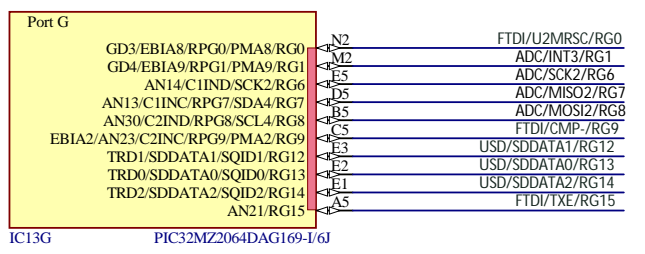
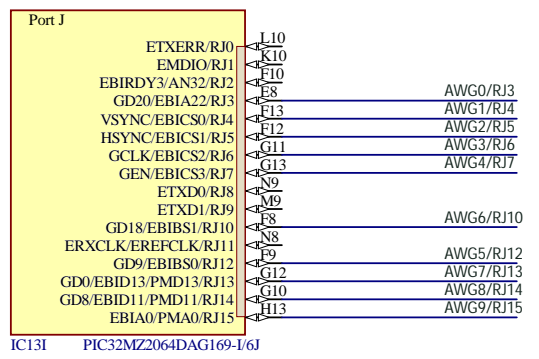
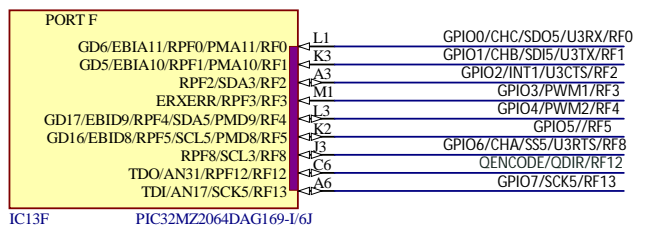


Place close to PIC32 pins

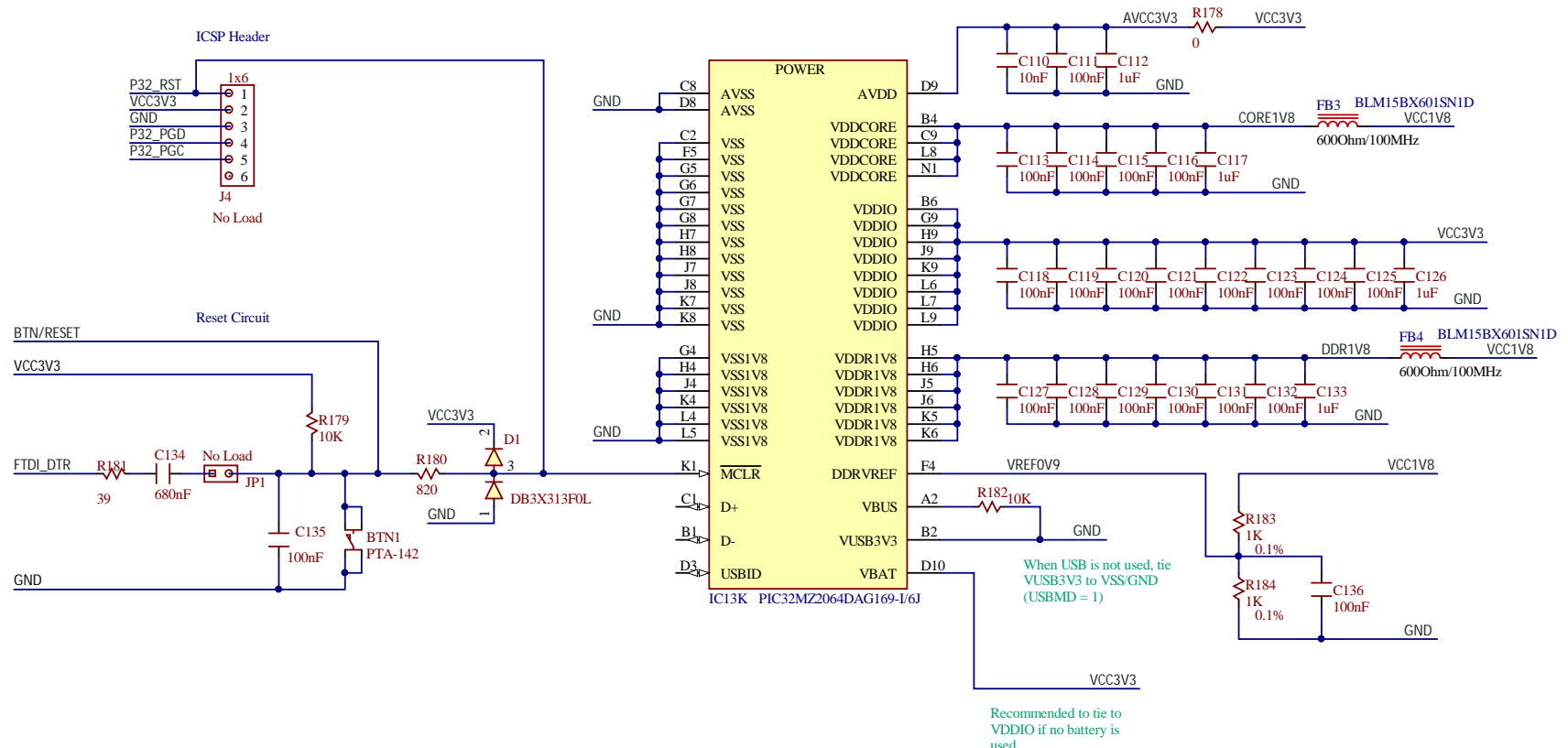


Title		Rev
OpenLogger MZ		D.0
		Copyright 2018
Circuit	PIC32 Ports	
Doc#	500-364	
Engineer	KV	
Author	GMA	
Date	8/29/2018	
Sheet#	9 out of 12	

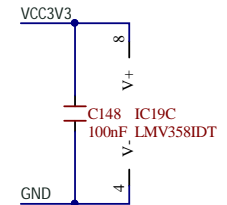
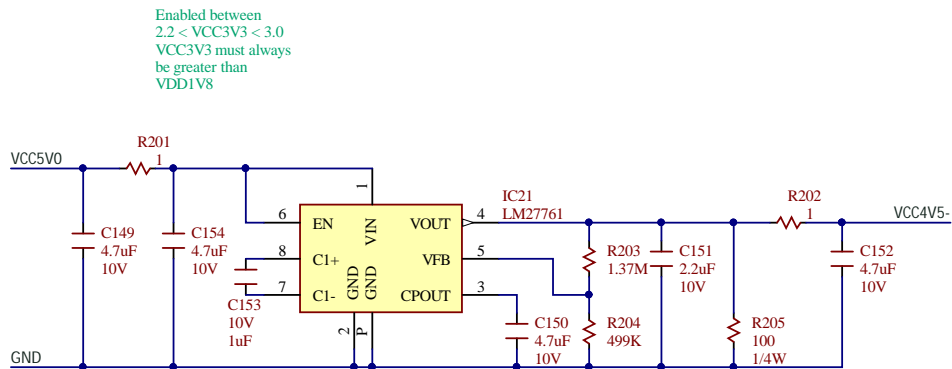
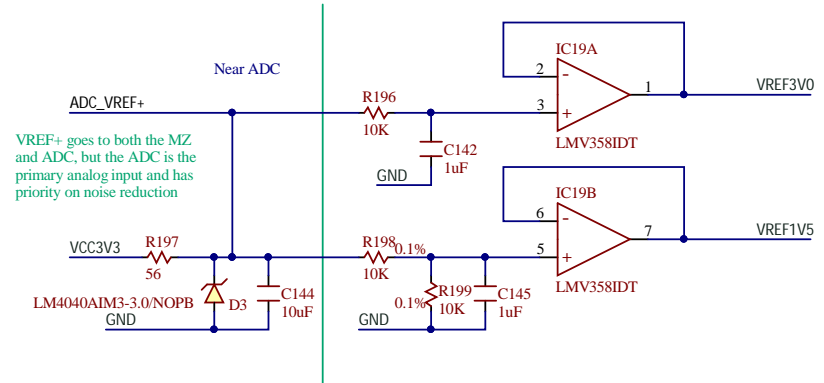
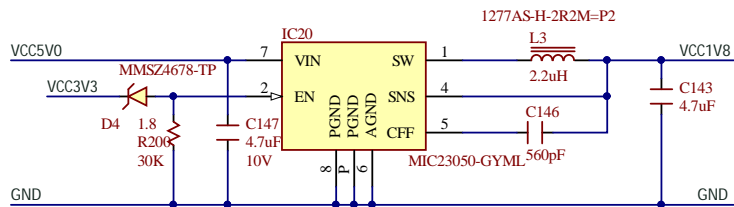
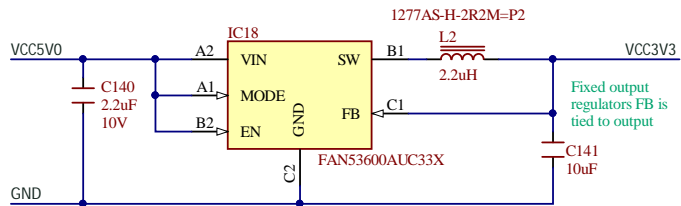
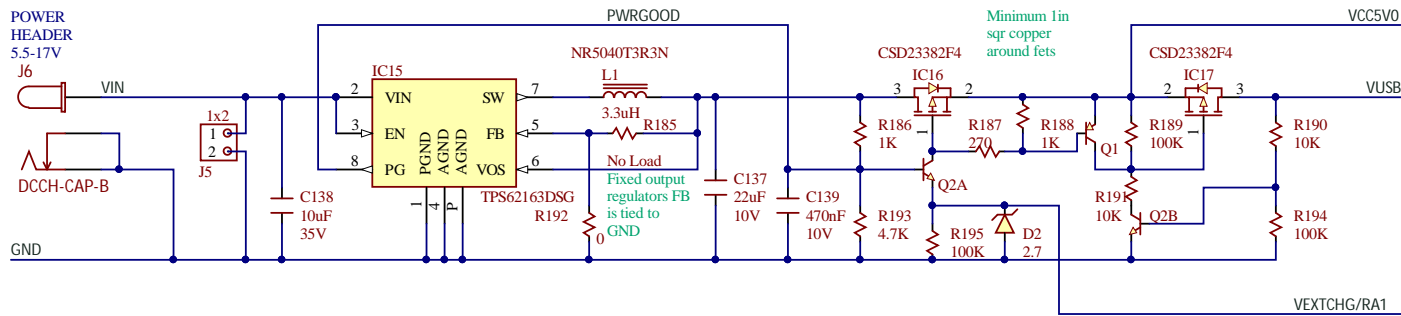




Title OpenLogger MZ		Rev D.0 Copyright 2018
Circuit PIC32		
Doc# 500-364		
Engineer KV		
Author GMA		
Date 8/29/2018		
Sheet# 10 out of 12		



Title OpenLogger MZ		Rev D.0 Copyright 2018
Circuit PIC32 Power	Doc# 500-364	
Engineer KV	Author GMA	
Date 8/29/2018	Sheet# 11 out of 12	



Title		Rev
OpenLogger MZ		D.0
Circuit		Copyright 2018
Power		
Doc#	500-364	
Engineer	KV	
Author	GMA	
Date	8/29/2018	
Sheet#	12 out of 12	

