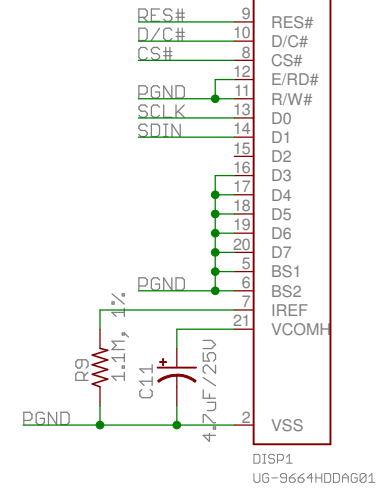
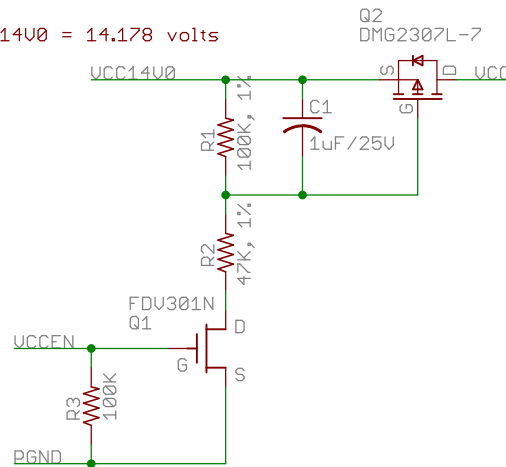


Note: UCC14V0 = 14.178 volts



Digilent Inc.		WEEE	
PmodOLEDr gb Copyright 2015, Digilent Inc.		Engineer: MTA	
SHEET:		Author: DL	
TITLE: PmodOLEDr gb		Rev: B.0	
Doc#: 500-323	Date: 08/14/2015	Sheet: 1/1	