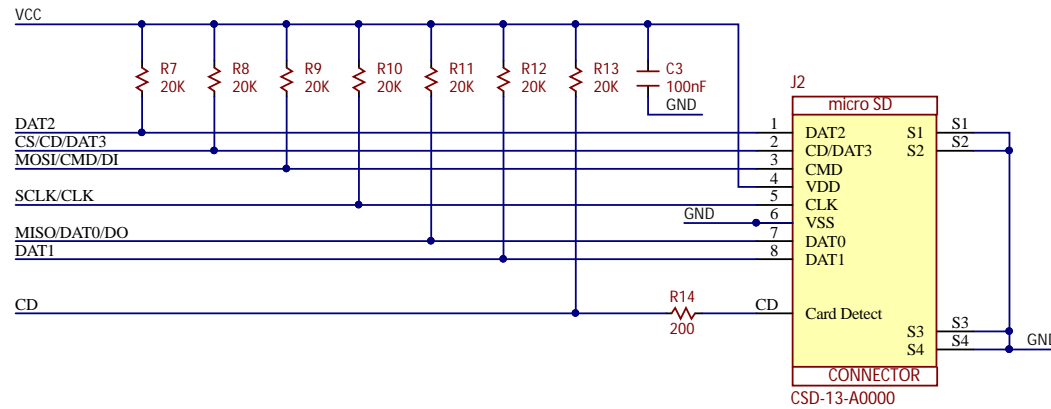
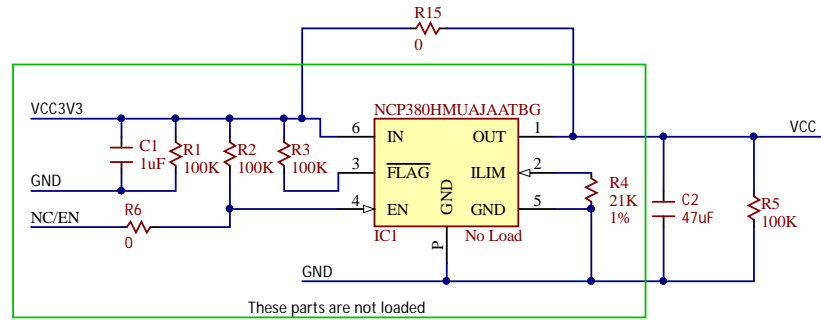


Inrush Current Limiting



Title		Rev
PmodMicroSD		A.1
		Copyright 2018
Circuit	Main	
Doc#	500-380	
Engineer	MTA	
Author	GMA	
Date	3/7/2018	
Sheet#	1 out of 1	

