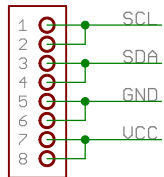


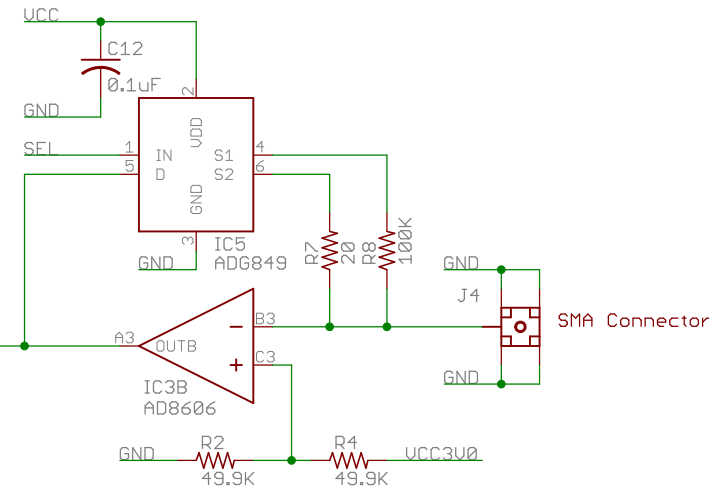
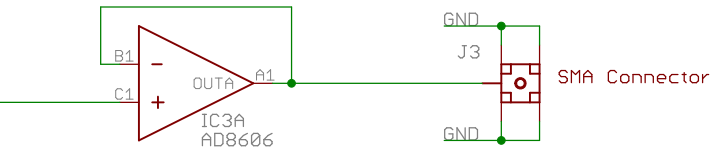
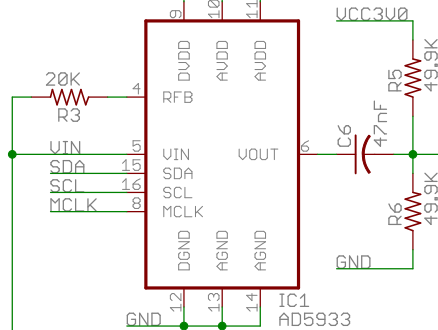
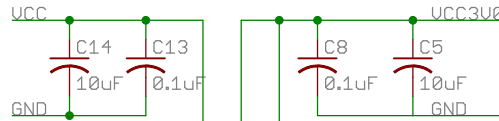
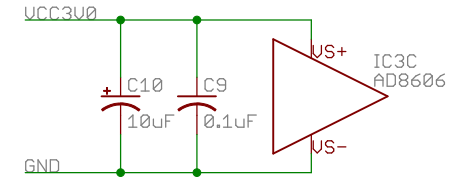
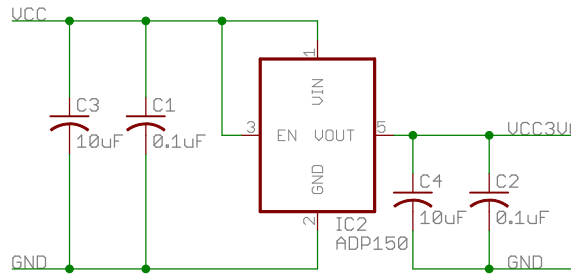
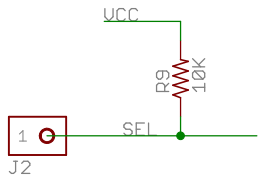
Note: By default IC4 is not loaded and the AD5933 should be configured to use the on-chip 16.776 MHz clock. To provide an external clock to the AD5933, install a 5.00mm x 3.20mm oscillator for IC4 and a 0.1 uF ceramic capacitor for C7. Some oscillators may also require a load capacitor to be installed for C11. Please see the datasheet of the selected oscillator for more details.

Suggested Oscillators:

- Abrakon Corporation ASFLMB-16.000MHZ-LY-T
- Fox Electronics FOX924B-16.000
- TXC Corporation 7C-16.000MBA-T
- TXC Corporation 7C-16.000MAA-T



J1
Note: Any external voltage applied to UCC must be kept between 3.3V and 5.5V in order to avoid damaging the parts used in this circuit.



For more information on the parts used in this design, please refer to:
www.analog.com/AD5933 - 1 MSPS, 12-Bit Impedance Converter, Network Analyzer
www.analog.com/ADP150 - Ultralow Noise, 150 mA CMOS Linear Regulator
www.analog.com/AD8606 - Precision, Low Noise, CMOS, Rail-to-Rail, Operational Amplifier
www.analog.com/ADG849 - 3V/5V CMOS 0.5 ohm SPDT Switch

PmodIA		Engineer: MTA
Copyright 2011, Digilent Inc.		Author: PJA
SHEET:		Rev: A.0
TITLE: PmodIA		Doc#: 500-246
Date: 12/22/2011		Sheet: 1/1