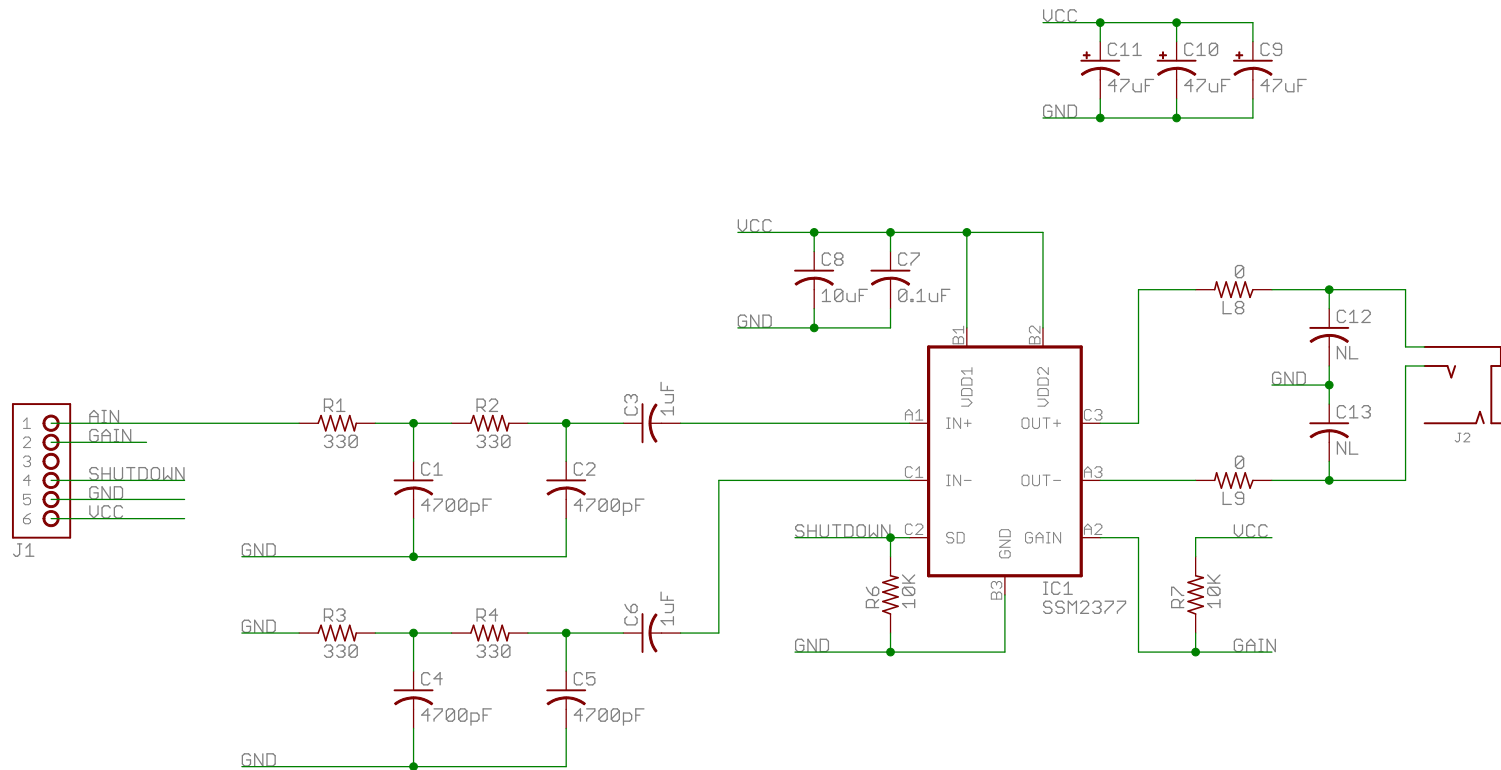


NL = No Load



For more information on the parts used in this design, please refer to:
www.analog.com/SSM2377 - Filterless, High Efficiency, Mono 2.5 W Class-D Audio Amplifier

PmodAMP2		Engineer: MTA
Copyright 2011, Digilent Inc.		Author: PJA
SHEET:		Rev: B.0
TITLE: PmodAMP2		Doc#: 500-233
Date: 12/22/2011	Sheet: 1/1	