

chipKIT WiFire

Copyright 2014, Digilent Inc.

Engineer: KRU

SHEET: chipKit I/O connectors

Author: CLG/KRU

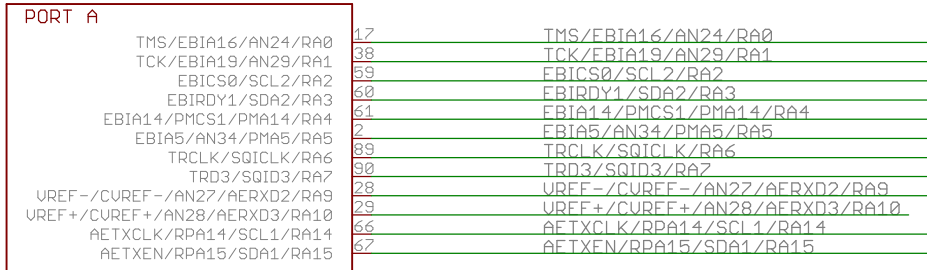
TITLE: chipKIT WiFire

Rev: B.0

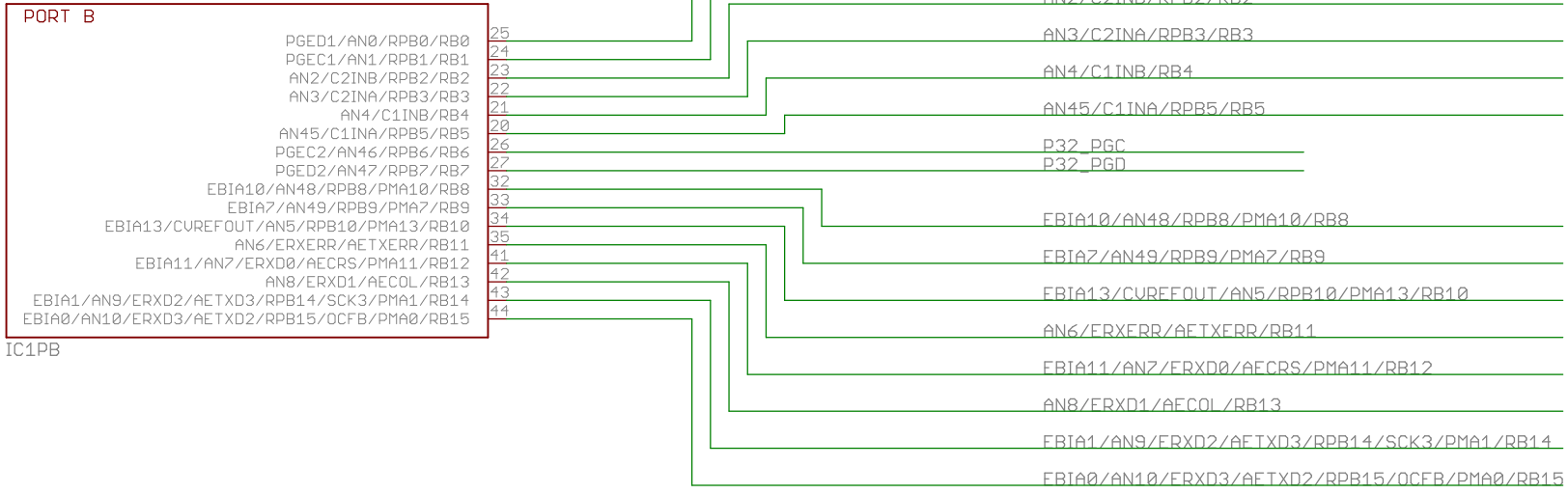
Doc#: 500-302

Date: 03/18/2014

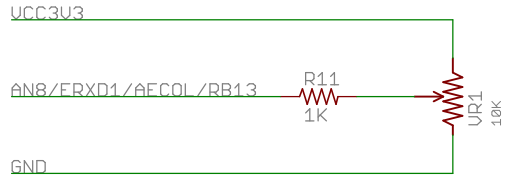
Sheet: 2/6



IC1PA



IC1PB



chipKIT WiFire		Engineer: KRU
Copyright 2014, Digilent Inc.		Author: CLG/KRU
SHEET: PIC32 I/O		Rev: B.0
TITLE: chipKIT WiFire		Date: 03/18/2014
Doc#: 500-302	Date: 03/18/2014	Sheet: 3/6

PORT D		
EMDIO/AEMDIO/RPD0/RTCC/INT0/RD0	21	FMDIO/AFMDIO/RPD0/RTCC/INT0/RD0
RPD1/SCK1/RD1	26	RPD1/SCK1/RD1
EBID14/ETXEN/RPD2/PMD14/RD2	27	FBID14/ETXEN/RPD2/PMD14/RD2
EBID15/ETXCLK/RPD3/PMD15/RD3	28	FBID15/ETXCLK/RPD3/PMD15/RD3
SQICS0/RPD4/RD4	81	SQICS0/RPD4/RD4
SQICS1/RPD5/RD5	82	SQICS1/RPD5/RD5
EBIA15/RPD9/PMCS2/PMA15/RD9	68	FBIA15/RPD9/PMCS2/PMA15/RD9
RPD10/SCK4/RD10	69	RPD10/SCK4/RD10
EMDC/AEMDC/RPD11/RD11	70	FMDC/AFMDC/RPD11/RD11
EBID12/ETXD2/RPD12/PMD12/RD12	79	FBID12/ETXD2/RPD12/PMD12/RD12
EBID13/ETXD3/PMD13/RD13	80	FBID13/ETXD3/PMD13/RD13
AN32/AETXD0/RPD14/RD14	47	AN32/AETXD0/RPD14/RD14
AN33/AETXD1/RPD15/SCK6/RD15	48	AN33/AETXD1/RPD15/SCK6/RD15

IC1PD

PORT E		
EBID0/PMD0/RE0	91	FBID0/PMD0/RF0
EBID1/PMD1/RE1	94	FBID1/PMD1/RF1
EBID2/PMD2/RE2	98	FBID2/PMD2/RF2
EBID3/RPE3/PMD3/RE3	99	FBID3/RPF3/PMD3/RF3
EBID4/AN18/PMD4/RE4	100	FBID4/AN18/PMD4/RF4
EBID5/AN17/RPE5/PMD5/RE5	3	FBID5/AN17/RPE5/PMD5/RF5
EBID6/AN16/PMD6/RE6	4	FBID6/AN16/PMD6/RF6
EBID7/AN15/PMD7/RE7	5	FBID7/AN15/PMD7/RF7
AN25/AERXD0/RPE8/RE8	18	AN25/AERXD0/RPE8/RF8
AN26/AERXD1/RPE9/RE9	19	AN26/AERXD1/RPE9/RF9

IC1PE

PORT F		
EBID11/ETXD1/RPF0/PMD11/RF0	85	FBID11/ETXD1/RPF0/PMD11/RF0
EBID10/ETXD0/RPF1/PMD10/RF1	86	FBID10/ETXD0/RPF1/PMD10/RF1
EBIRDY3/RPF2/SDA3/RF2	57	FBIRDY3/RPF2/SDA3/RF2
USBID/RPF3/RF3	56	USBID/RPF3/RF3
EBIA9/RPF4/SDA5/PMA9/RF4	64	FBIA9/RPF4/SDA5/PMA9/RF4
EBIA8/RPF5/SCL5/PMA8/RF5	65	FBIA8/RPF5/SCL5/PMA8/RF5
EBIRDY2/RPF8/SCL3/RF8	58	FBIRDY2/RPF8/SCL3/RF8
TDO/EBIA17/AN31/RPF12/RF12	40	TDO/EBIA17/AN31/RPF12/RF12
TDI/EBIA18/AN30/RPF13/SCK5/RF13	39	TDI/EBIA18/AN30/RPF13/SCK5/RF13

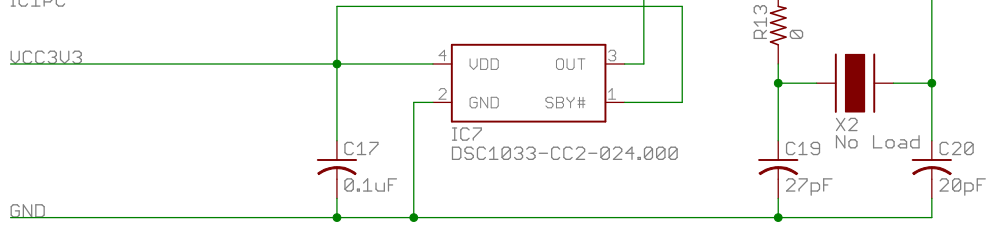
IC1PF

PORT G		
EBID8/RPG0/PMD8/RG0	88	FBID8/RPG0/PMD8/RG0
EBID9/ETXERR/RPG1/PMD9/RG1	87	FBID9/ETXERR/RPG1/PMD9/RG1
AN14/C1IND/ECOL/RPG6/SCK2/RG6	10	AN14/C1IND/ECOL/RPG6/SCK2/RG6
EBIA4/AN13/C1INC/ECRS/RPG7/SDA4/PMA4/RG7	11	FBIA4/AN13/C1INC/ECRS/RPG7/SDA4/PMA4/RG7
EBIA3/AN12/C2IND/ERXDU/ECRSDU/AERXDU/AFCRSDU/RPG8/SCL4/PMA3/RG8	12	FBIA3/AN12/C2IND/ERXDU/ECRSDU/AERXDU/AFCRSDU/RPG8/SCL4/PMA3/RG8
EBIA2/AN11/C2INC/ERXCLK/EREFCLK/RPG9/PMA2/RG9	16	FBIA2/AN11/C2INC/ERXCLK/EREFCLK/AERXCLK/AEREFCLK/RPG9/PMA2/RG9
TRD1/SQID1/RG12	96	TRD1/SQID1/RG12
TRD0/SQID0/RG13	97	TRD0/SQID0/RG13
TRD2/SQID2/RG14	95	TRD2/SQID2/RG14
AN23/AERXERR/RG15	1	AN23/AERXERR/RG15

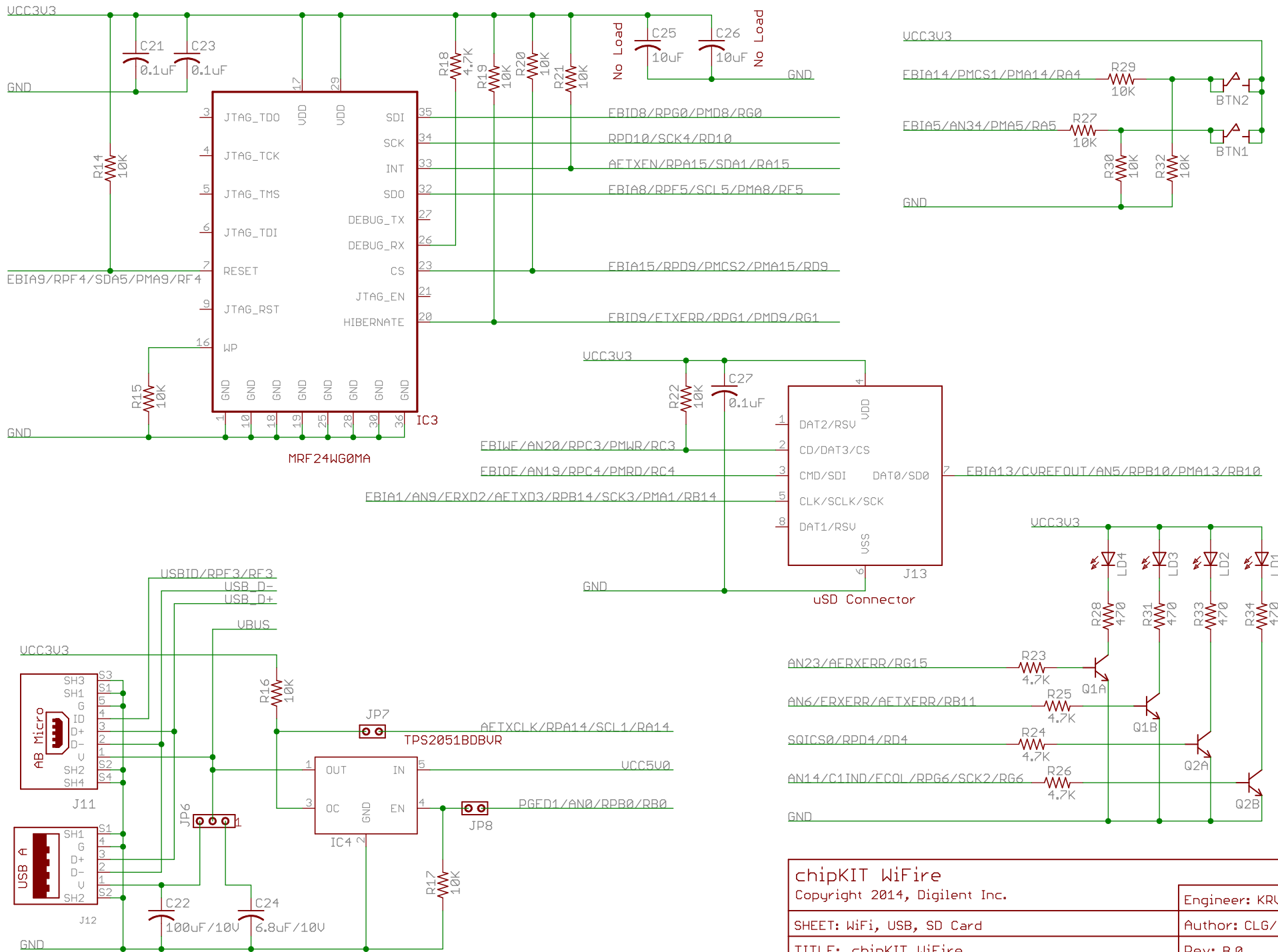
IC1PG

PORT C		
EBIA6/AN22/RPC1/PMA6/RC1	6	FBIA6/AN22/RPC1/PMA6/RC1
EBIA12/AN21/RPC2/PMA12/RC2	7	FBIA12/AN21/RPC2/PMA12/RC2
EBIWE/AN20/RPC3/PMWR/RC3	8	FBIWE/AN20/RPC3/PMWR/RC3
EBIOE/AN19/RPC4/PMRD/RC4	9	FBIOE/AN19/RPC4/PMRD/RC4
OSCI/CLKI/RC12	49	
SOSCI/RPC13/RC13	72	
SOSCO/RPC14/T1CK/RC14	73	
OSCO/CLKO/RC15	50	

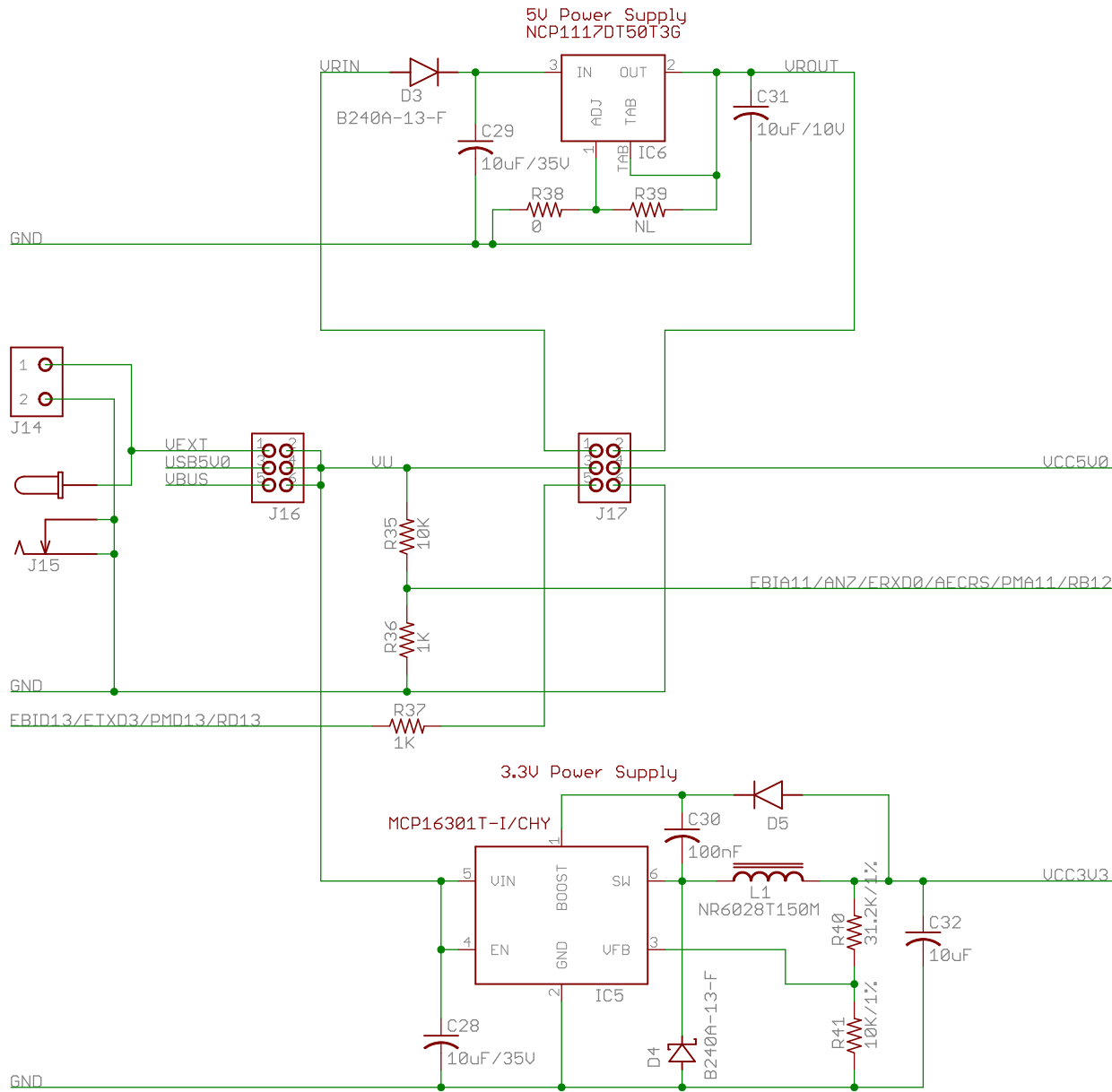
IC1PC



chipKIT WiFire		Engineer: KRU
Copyright 2014, Digilent Inc.		Author: CLG/KRU
SHEET: PIC32 I/O	Rev: B.0	
TITLE: chipKIT WiFire	Date: 03/18/2014	Sheet: 4/6
Doc#: 500-302		



chipKIT WiFire		Engineer: KRU
Copyright 2014, Digilent Inc.		Author: CLG/KRU
SHEET: WiFi, USB, SD Card		Rev: B.0
TITLE: chipKIT WiFire		Doc#: 500-302
Date: 03/18/2014		Sheet: 5/6



chipKIT WiFire

Copyright 2014, Digilent Inc.

Engineer: KRU

SHEET: Power Supplies

Author: CLG/KRU

TITLE: chipKIT WiFire

Rev: B.0

Doc#: 500-302

Date: 03/18/2014

Sheet: 6/6