

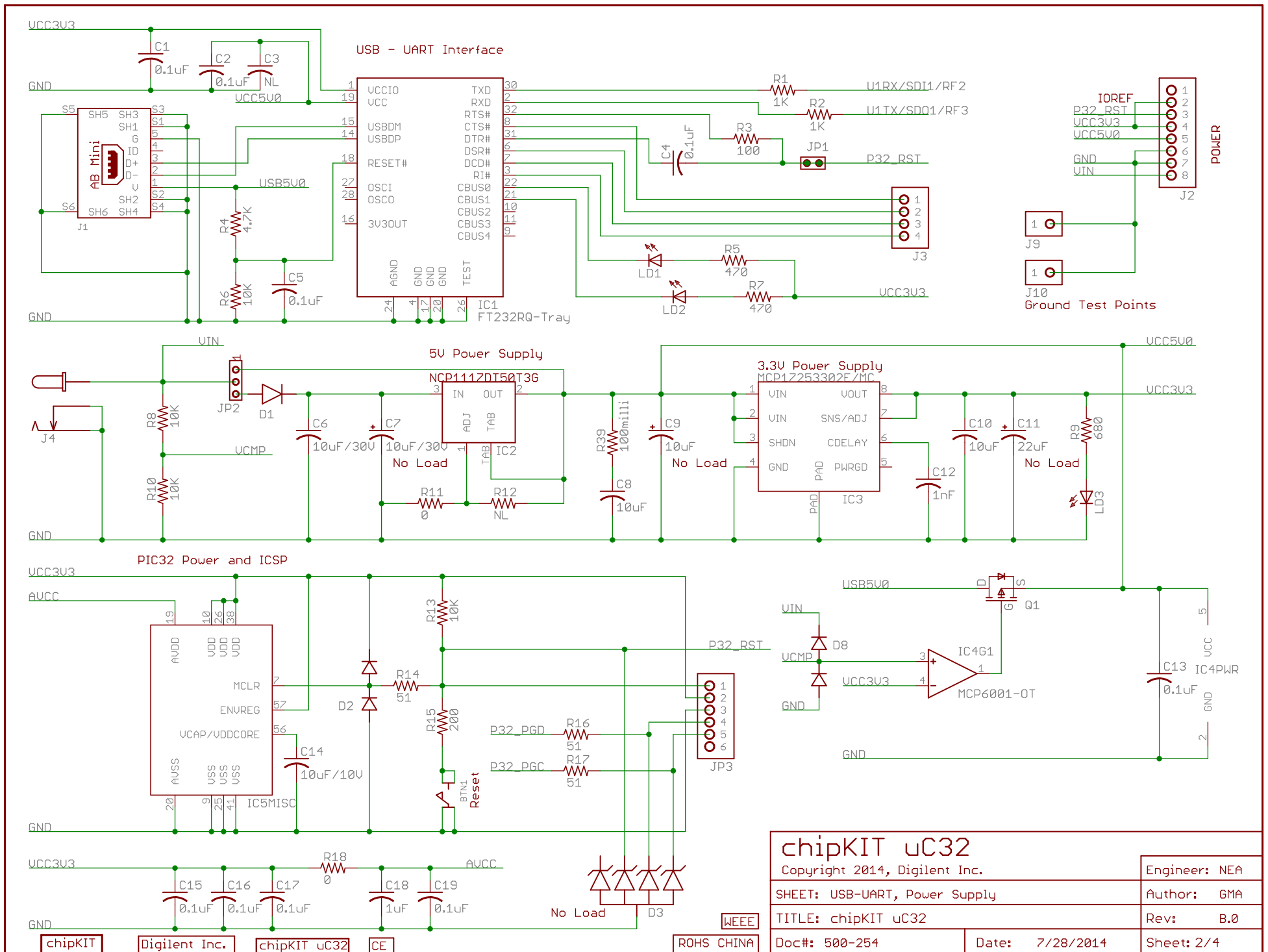
chipKIT™ uC32 Reference Design

Digilent chipKIT hardware files are licensed under the Creative Commons Attribution-ShareAlike license. This license allows for both personal and commercial derivative works, as long as proper credit is given to Digilent and the designs are released under the same license.

www.creativecommons.org/licenses/by-sa/3.0/

Reference designs are provided "AS IS" and "WITH ALL FAULTS". Digilent disclaims all other warranties express or implied, regarding this product, including but not limited to, any implied warranties of merchantability or fitness for any particular application. Digilent may make changes to specifications and product descriptions at any time, without notice.

chipKIT uC32		Engineer: NEA
Copyright 2014, Digilent Inc.		Author: GMA
SHEET: License		Rev: B.0
TITLE: chipKIT uC32		Sheet: 1/4
Doc#: 500-254	Date: 7/28/2014	



chipKIT uC32		Engineer: NEA
Copyright 2014, Digilent Inc.		Author: GMA
SHEET: USB-UART, Power Supply		Rev: B.0
TITLE: chipKIT uC32		Date: 7/28/2014
Doc#: 500-254	Date: 7/28/2014	Sheet: 2/4

UCC3U3

Port B	
PGD1/EMUD1/PMA6/AN0/UREF+/CUREF+/CN2/RB0	16
PGC1/EMUC1/AN1/UREF-/CUREF-/CN3/RB1	15
C2IN-/AN2/SS1/CN4/RB2	14
C2IN+/AN3/CN5/RB3	13
C1IN-/AN4/CN6/RB4	12
C1IN+/AN5/CN7/RB5	11
PGC2/EMUC2/AN6/OCFA/RB6	17
PGD2/EMUD2/AN7/RB7	18
U2CTS/C1OUT/AN8/RB8	21
PMA7/C2OUT/AN9/RB9	22
TMS/CUREFOUT/PMA13/AN10/RB10	23
TDO/PMA12/AN11/RB11	24
TCK/PMA11/AN12/RB12	27
TDI/PMA10/AN13/RB13	28
PMALH/PMA1/U2RTS/BCLK2/AN14/RB14	29
PMALL/PMA0/AN15/OCFB/CN12/RB15	30

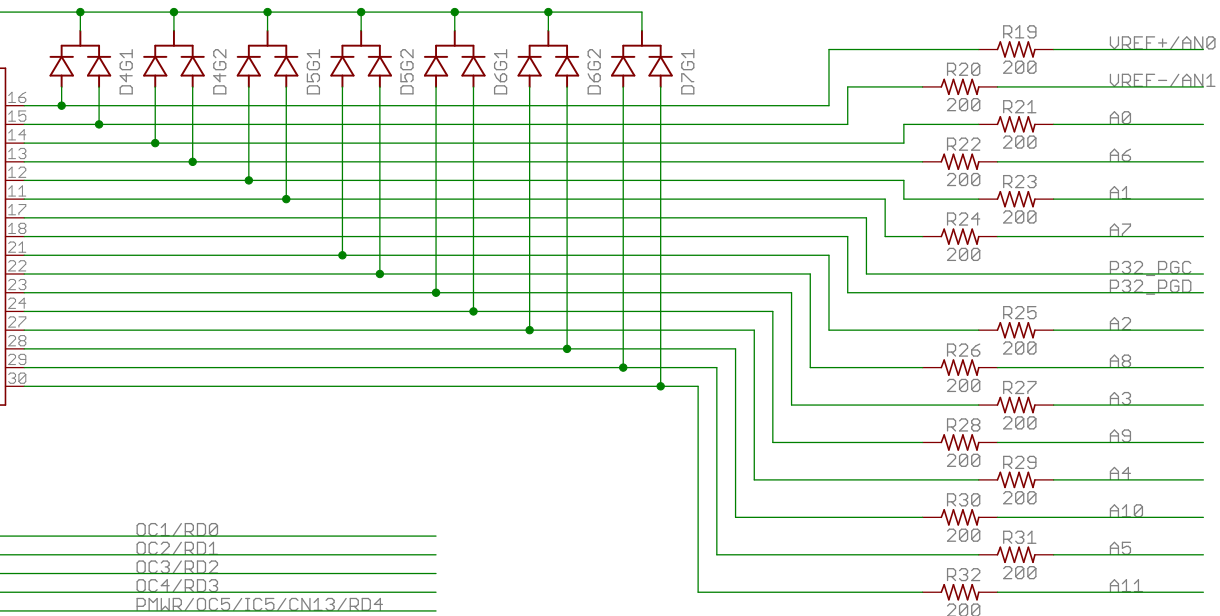
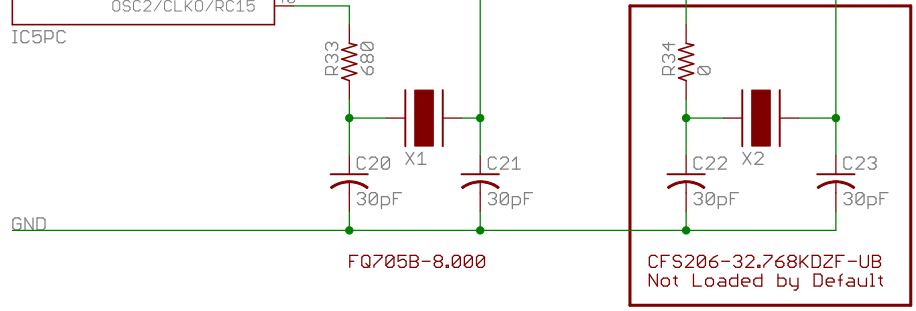
IC5PB

Port D	
OC1/RD0	46
OC2/RD1	49
OC3/RD2	50
OC4/RD3	51
PMWR/OC5/IC5/CN13/RD4	52
PMRD/CN14/RD5	53
CN15/RD6	54
CN16/RD7	55
IC1/RTCC/INT1/RD8	42
IC2/U1CTS/INT2/RD9	43
IC3/PMCS2/PMA15/INT3/RD10	44
IC4/PMCS1/PMA14/INT4/RD11	45

IC5PD

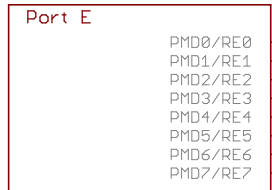
Port C	
OSC1/CLKI/RC12	39
SOSCI/CN1/RC13	47
SOSCO/T1CK/CN0/RC14	48
OSC2/CLKO/RC15	40

IC5PC

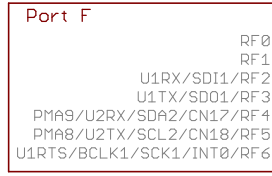


NOTE: IC2 - PIC32MX320F064H, PIC32MX320F128H

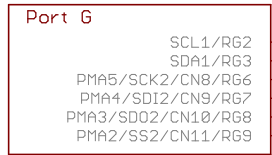
chipKIT uC32		Engineer: NEA
Copyright 2014, Digilent Inc.		Author: GMA
SHEET: PIC32 I/O		Rev: B.0
TITLE: chipKIT uC32		Doc#: 500-254
Date: 7/28/2014	Sheet: 3/4	



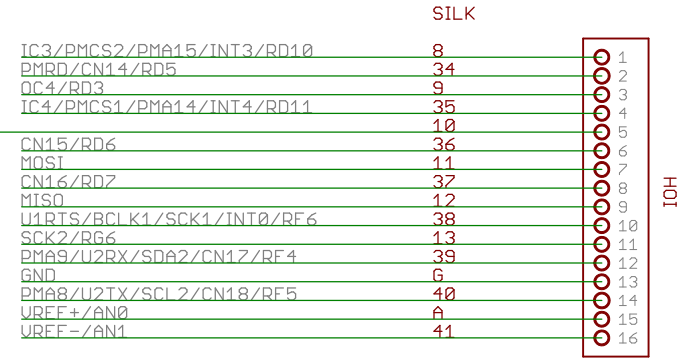
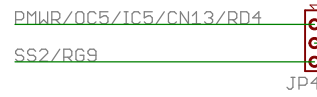
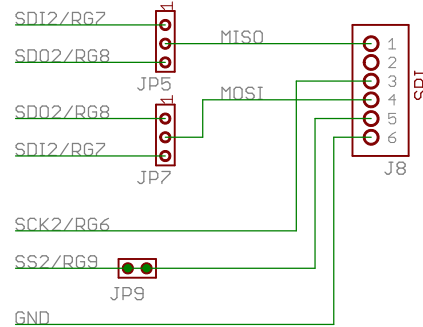
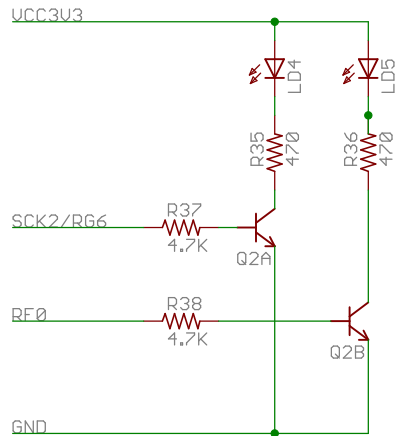
IC5PE



IC5PF

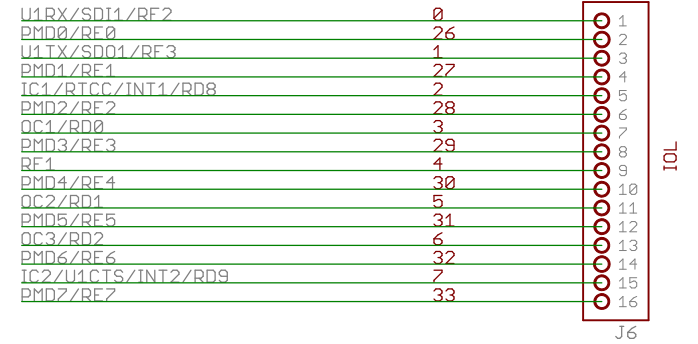


IC5PG



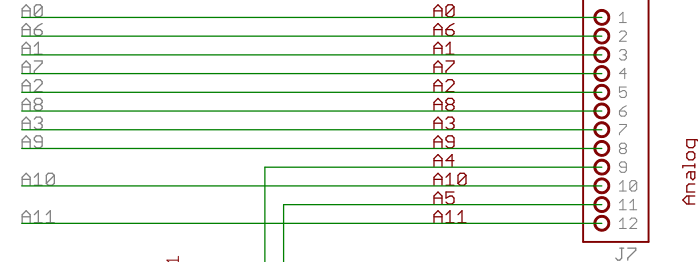
IOH

J5



IOI

J6



Analog

J7

chipKIT uC32		Engineer: NEA
Copyright 2014, Digilent Inc.		Author: GMA
SHEET: PIC32 I/O, I/O Connectors		Rev: B.0
TITLE: chipKIT uC32		Doc#: 500-254
Date: 7/84/2014	Sheet: 4/4	