

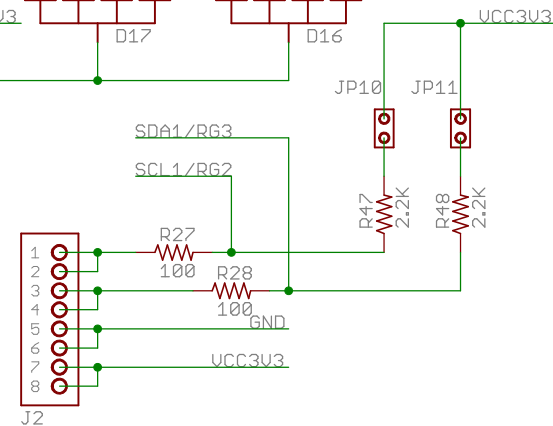
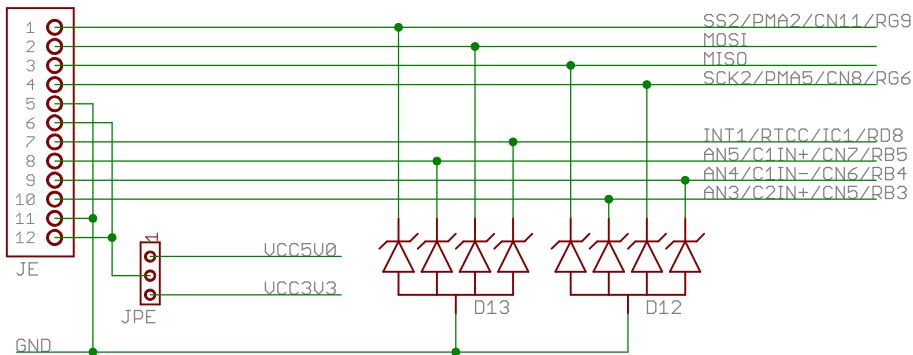
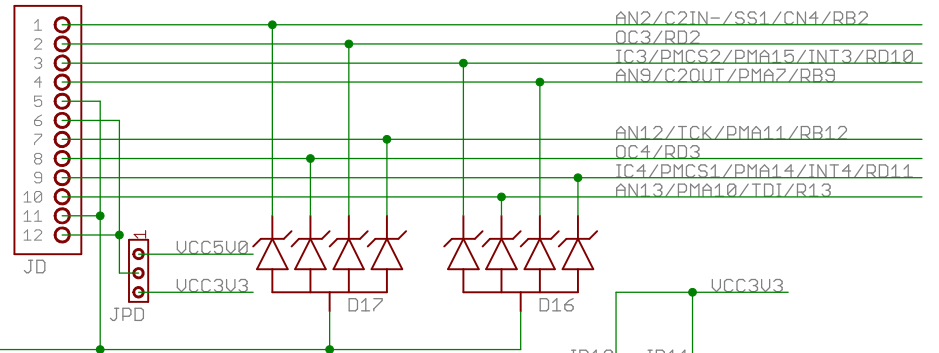
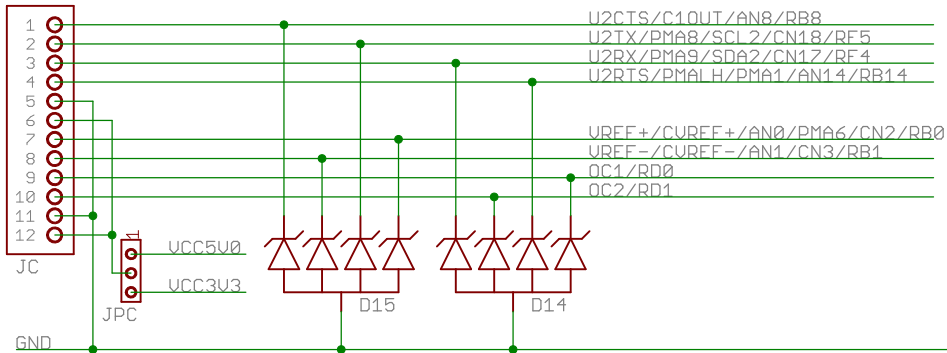
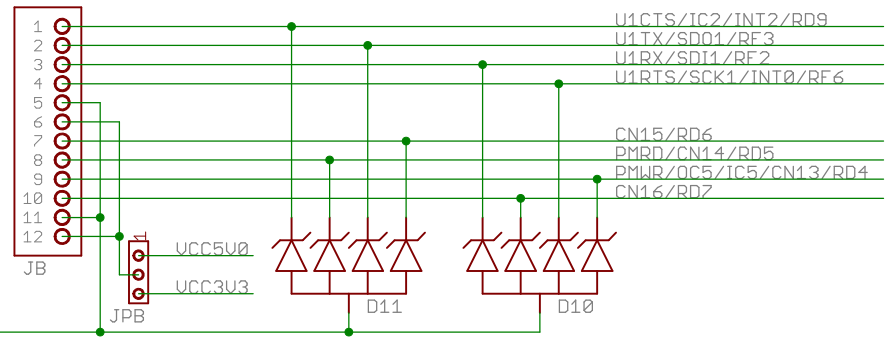
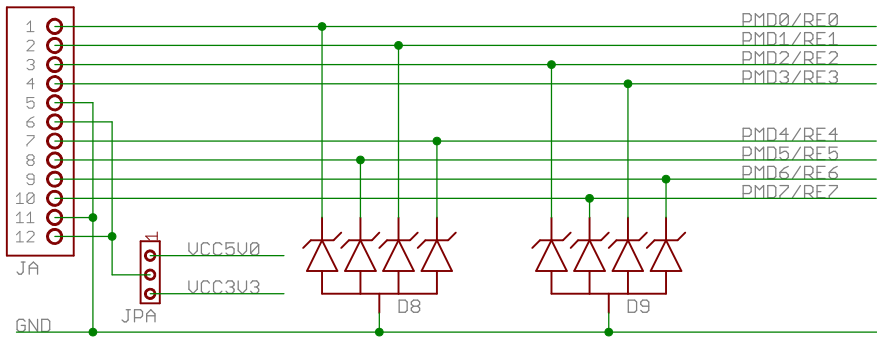
# chipKIT™ MX3 Reference Design

Digilent chipKIT hardware files are licensed under the Creative Commons Attribution-ShareAlike license. This license allows for both personal and commercial derivative works, as long as proper credit is given to Digilent and the designs are released under the same license.

[www.creativecommons.org/licenses/by-sa/3.0/](http://www.creativecommons.org/licenses/by-sa/3.0/)

Reference designs are provided "AS IS" and "WITH ALL FAULTS". Digilent disclaims all other warranties express or implied, regarding this product, including but not limited to, any implied warranties of merchantability or fitness for any particular application. Digilent may make changes to specifications and product descriptions at any time, without notice.

chipKIT MX3		Engineer: MTA
Copyright 2013, Digilent Inc.		Author: PJA
SHEET: Pmod Headers		Rev: A.0
TITLE: chipKIT MX3		Sheet: 1/5
Doc#: 500-297	Date: 11/26/2013	



## chipKIT MX3

Copyright 2013, Digilent Inc.

Engineer: MTA

SHEET: Pmod Headers

Author: PJA

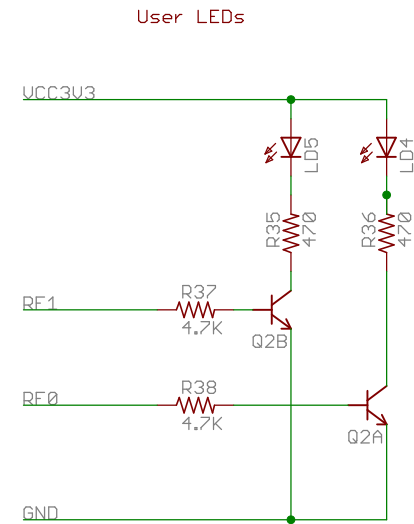
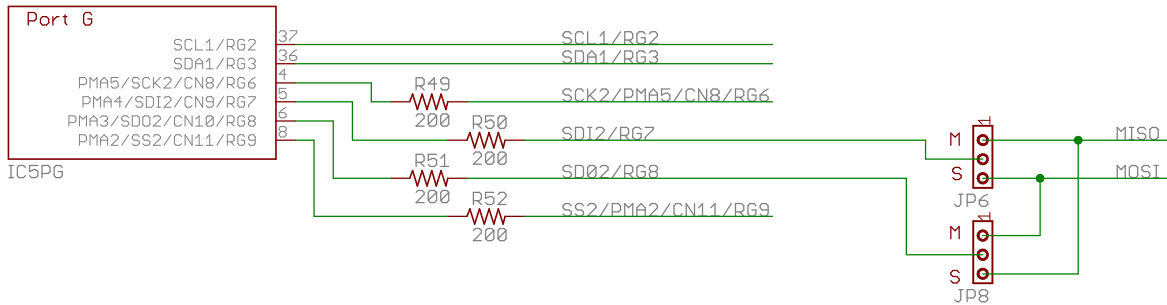
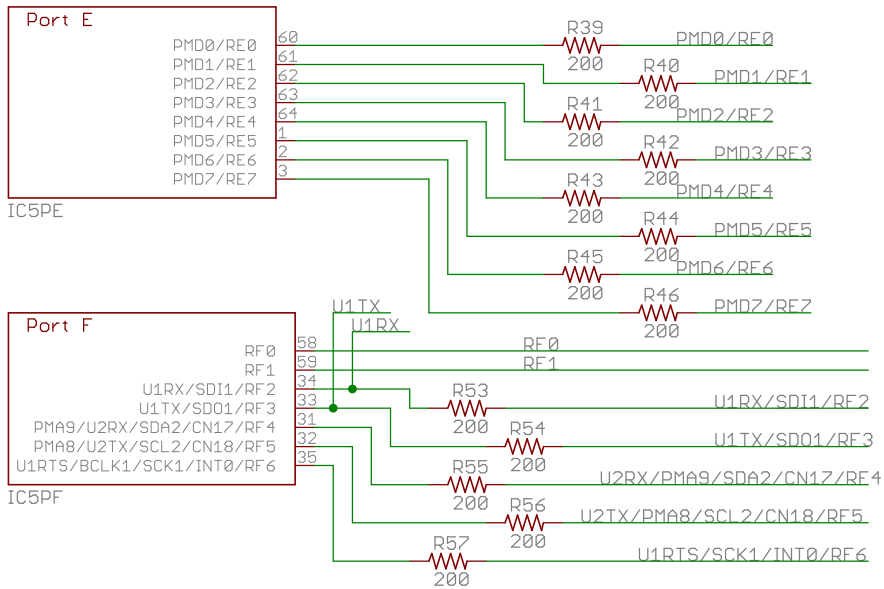
TITLE: chipKIT MX3

Rev: A.0

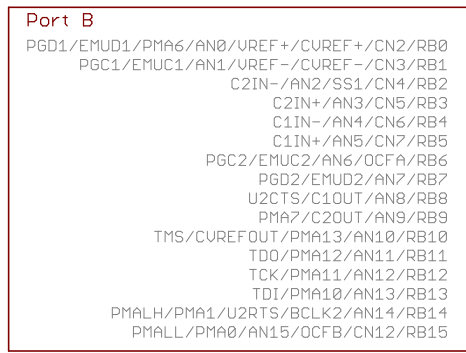
Doc#: 500-297

Date: 11/26/2013

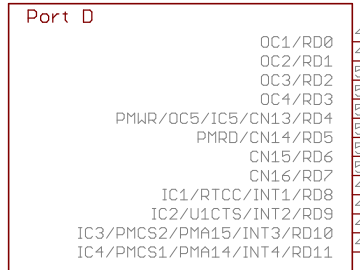
Sheet: 2/5



<b>chipKIT MX3</b>		Engineer: MTA
Copyright 2013, Digilent Inc.		Author: PJA
SHEET: PIC32 I/O, LEDs		Rev: A.0
TITLE: chipKIT MX3		Date: 11/26/2013
Doc#: 500-297	Date: 11/26/2013	Sheet: 3/5



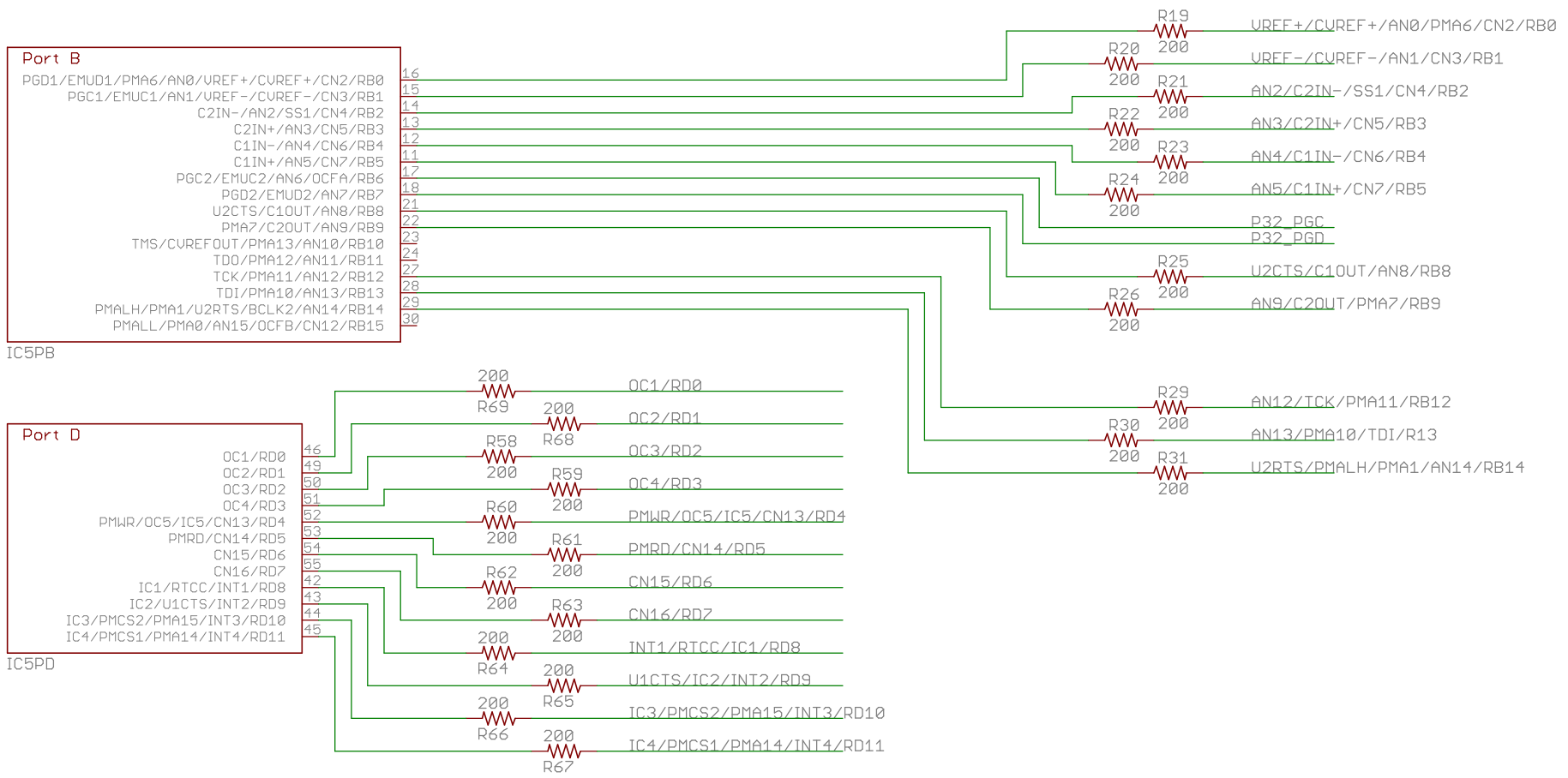
IC5PB



IC5PD



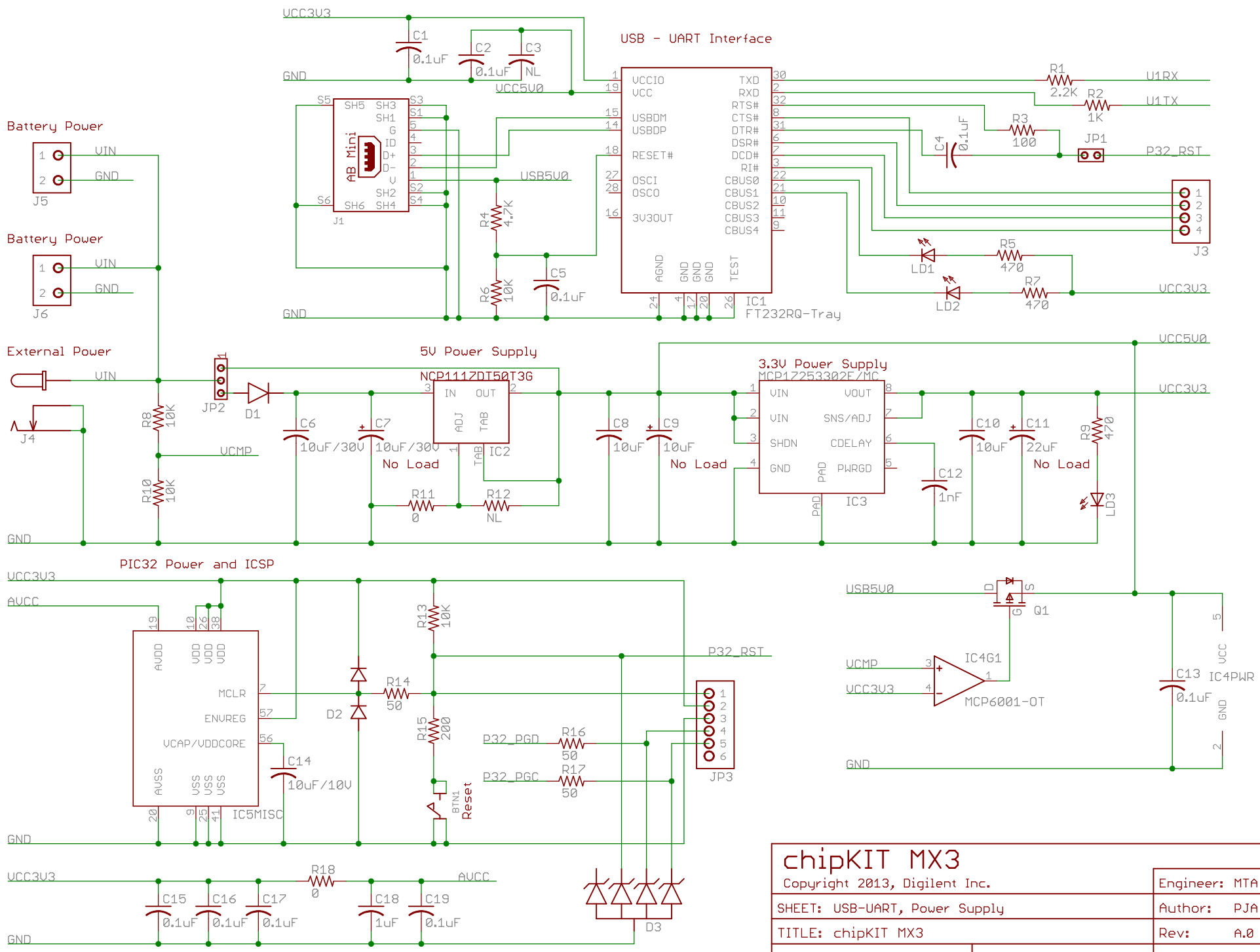
IC5PC



FQ7050B-8.000

CFS206-32.768KDF-UB  
Not Loaded by Default

<b>chipKIT MX3</b>		Engineer: MTA
Copyright 2013, Digilent Inc.		Author: PJA
SHEET: PIC32 I/0		Rev: A.0
TITLE: chipKIT MX3		Doc#: 500-297
Date: 11/26/2013	Sheet: 4/5	



<b>chipKIT MX3</b>		Engineer: MTA
Copyright 2013, Digilent Inc.		Author: PJA
SHEET: USB-UART, Power Supply		Rev: A.0
TITLE: chipKIT MX3		Doc#: 500-297
Date: 11/26/2013		Sheet: 5/5