

### chipKIT Motor Shield

Copyright 2012, Digilent Inc.

Engineer:NEA

SHEET:H Bridge

Author:PJA

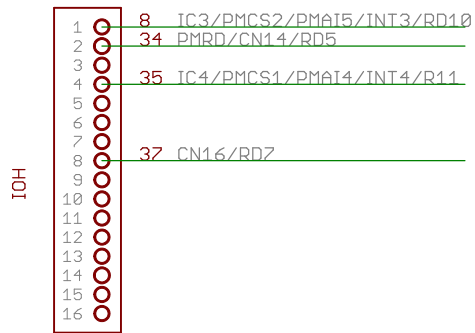
TITLE: chipKIT Motor Shield

Rev:D.0

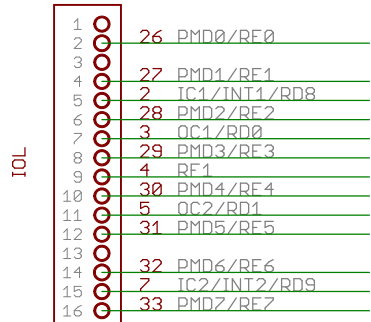
Doc#:500-262

Date:12/18/2012

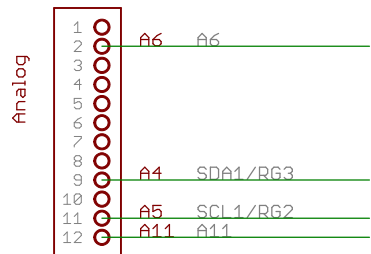
Sheet: 1/3



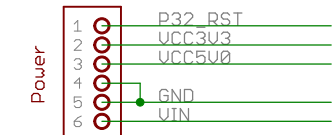
J11  
Straight Female, Long Tail



J15  
Straight Female, Long Tail



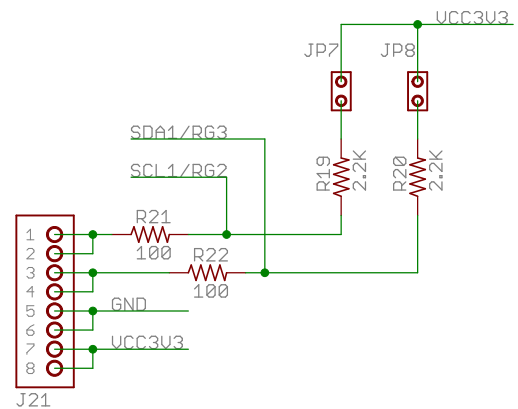
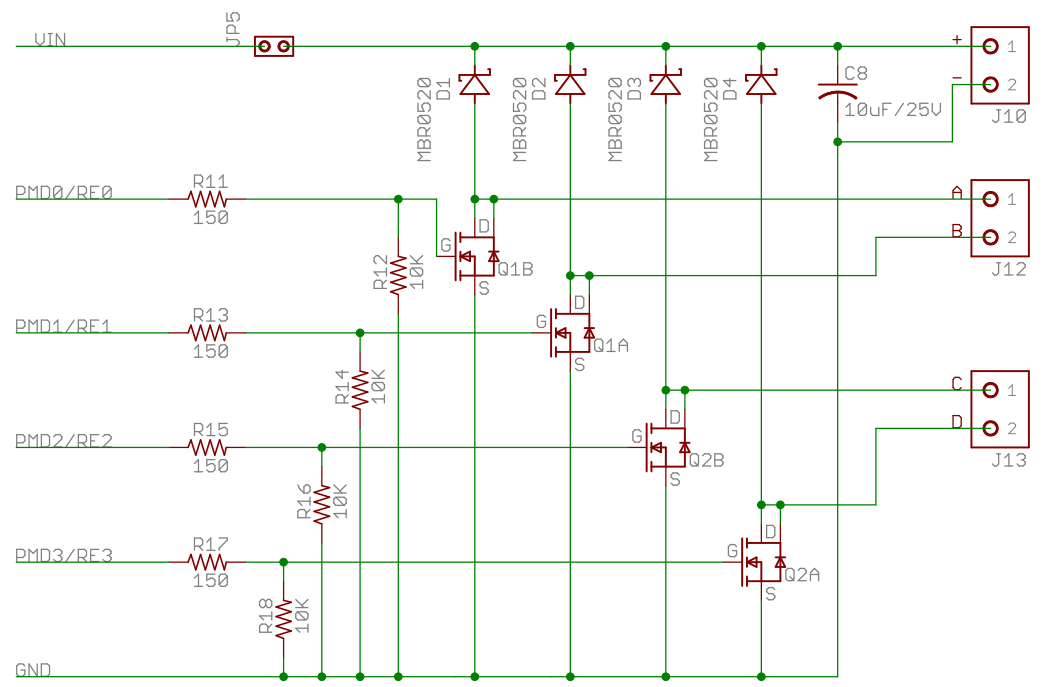
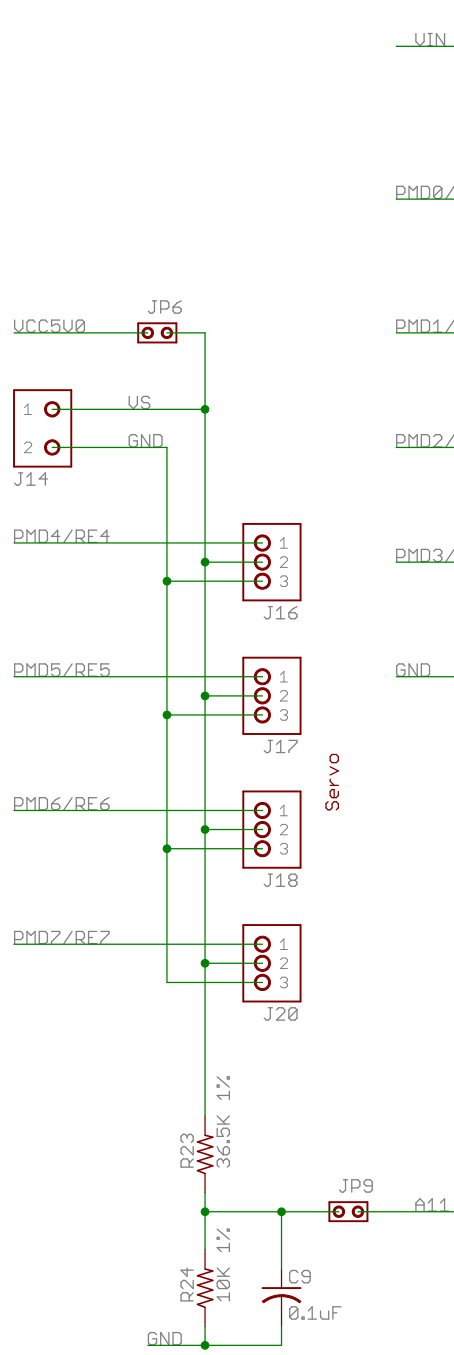
J19  
Straight Female, Long Tail



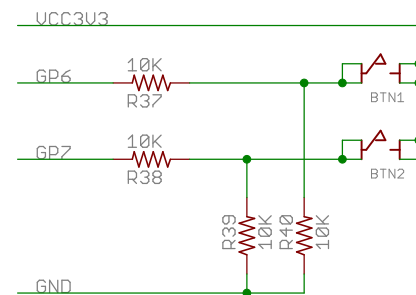
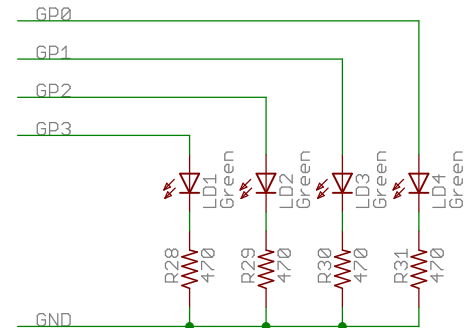
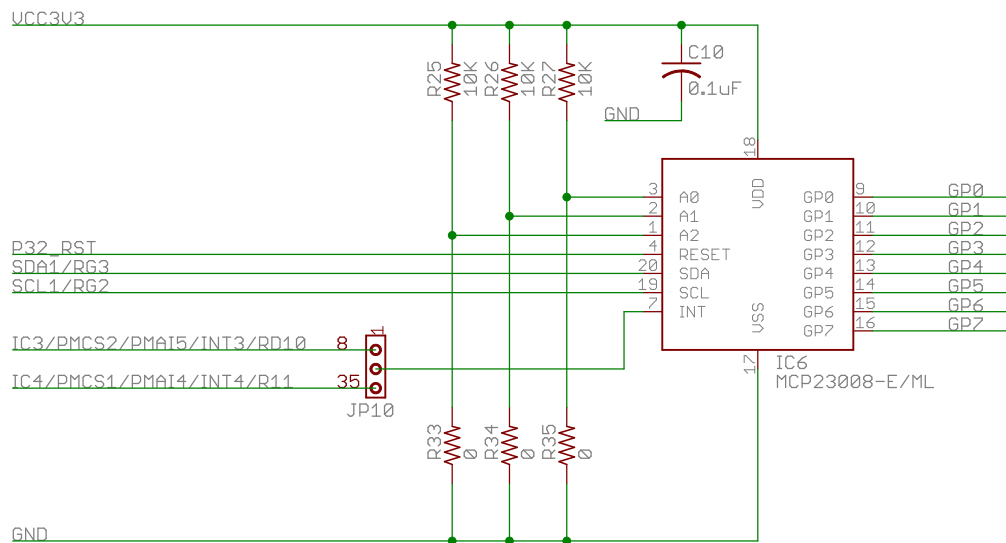
J22  
Straight Female, Long Tail



J23  
Straight Female, Long Tail



chipKIT Motor Shield		Engineer:NEA
Copyright 2012, Digilent Inc.		Author:PJA
SHEET:Open Drain and Servo		Rev:D.0
TITLE: chipKIT Motor Shield		Doc#:500-262
Date:12/18/2012		Sheet: 2/3



chipKIT Motor Shield		Engineer:NEA
Copyright 2012, Digilent Inc.		Author:PJA
SHEET:GPIO		Rev:D.0
TITLE: chipKIT Motor Shield		Sheet: 3/3
Doc#:500-262	Date:12/18/2012	