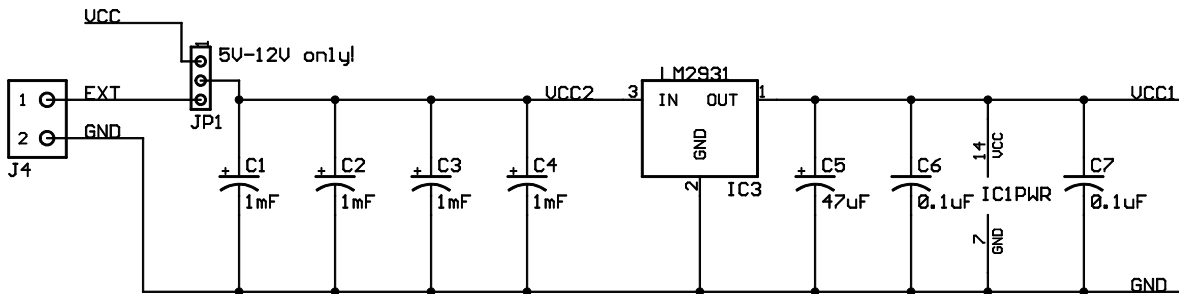
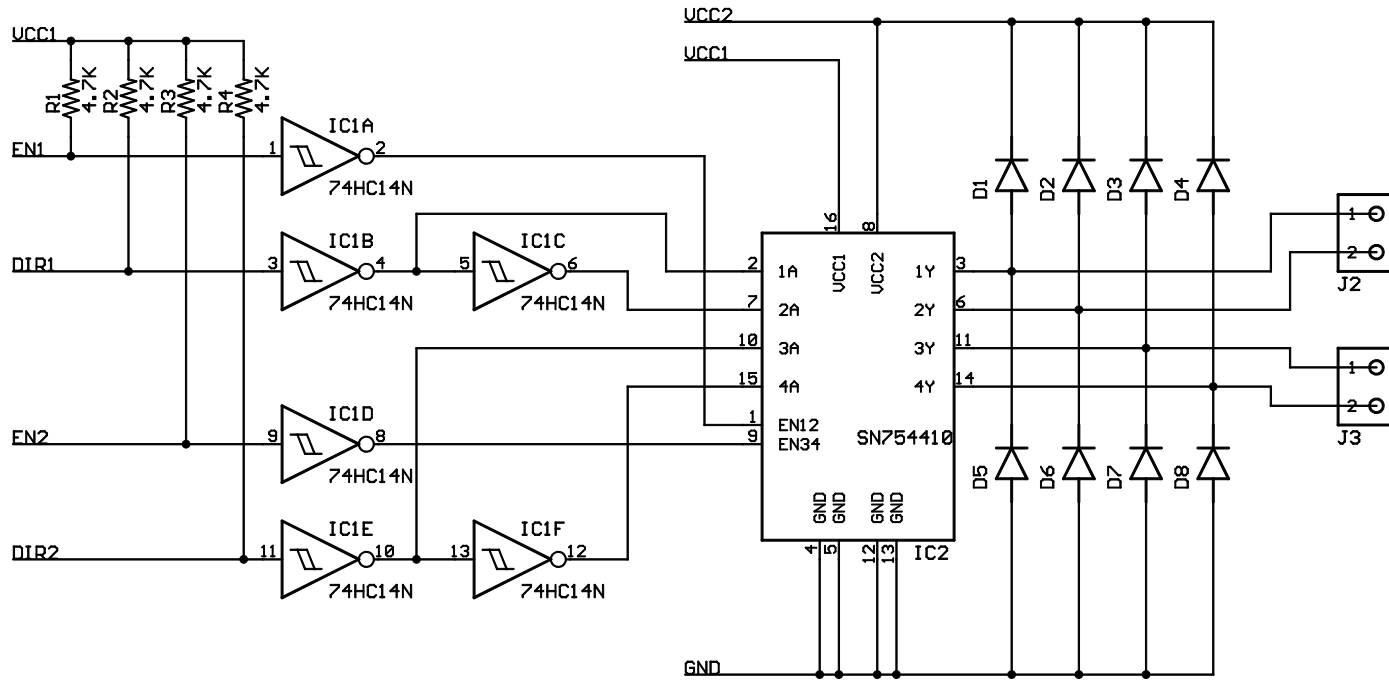
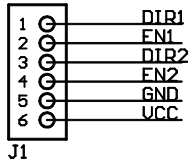


6 pin header



Digilent H-Bridge 2 Board		Engineer: NEA
Copyright 2004		Author: GMA
TITLE: HB2		Rev: D
Document Number: 500-052		Sheet: 1/1
Release Date: 8/06/2004		