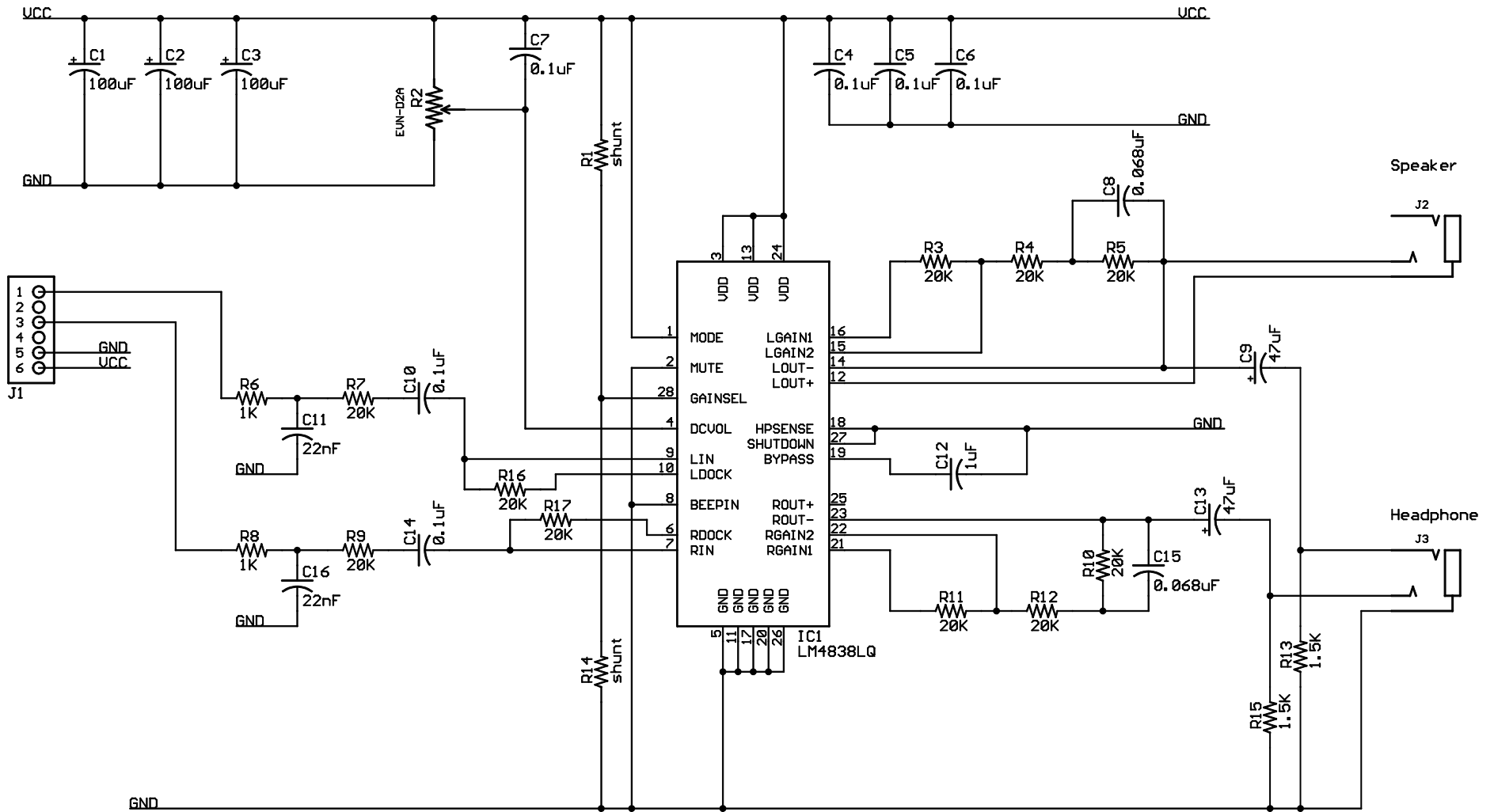


Digilent Audio Amplifier Module



Note: Load R1 for gain selected by external components
 Load R14 for internal gain

Digilent PmodAMP1 Copyright 2007, Digilent Inc.		Engineer: NEA
SHEET:		Author: NEA
TITLE: PmodAMP1		Rev: B
WEEE	Doc#: 500-131	Date: 02/26/2007
		Sheet: 1/1