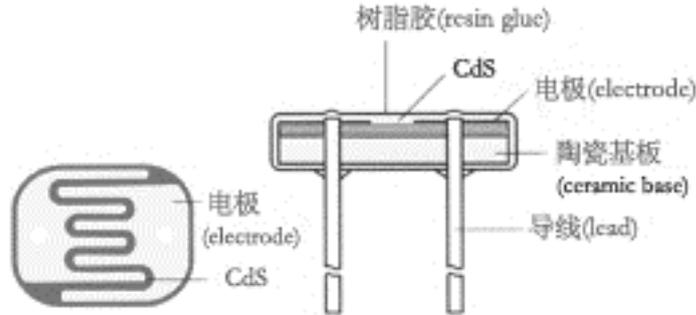


GL55Series Photoresistor

Schematic Drawing



Performances and Features

- | | |
|-------------------|------------------------------|
| Coated with epoxy | Good reliability |
| Small volume | High sensitivity |
| Quick response | Good spectrum characteristic |

Typical Applications

- | | |
|------------------------------|------------------------|
| Camera automation photometry | Photoelectric control |
| Indoor sunlight control | Annunciator |
| Industrial control | Optical control switch |
| Optical control lamp | Electronic toy |

Standard Type and Specifications

Specification	Type	Maximum Voltage	Maximum power	Environmental temperature	Spectrum peak value
Φ5 series	GL5516	150	90	-30~+70	540
	GL5528	150	100	-30~+70	540
	GL5537-1	150	100	-30~+70	540
	GL5537-2	150	100	-30~+70	540
	GL5539	150	100	-30~+70	540
	GL5549	150	100	-30~+70	540

Specification	Light resistance (10Lux) (KΩ)	Dark resistance (MΩ)	γ_{10}^{100}	Response time (ms)		Illuminance resistance characteristic
				Increase	Decrease	
Φ5 series	5-10	0.5	0.5	30	30	2
	10-20	1	0.6	20	30	3
	20-30	2	0.6	20	30	4
	30-50	3	0.7	20	30	4
	50-100	5	0.8	20	30	5
	100-200	10	0.9	20	30	6

Testing Conditions

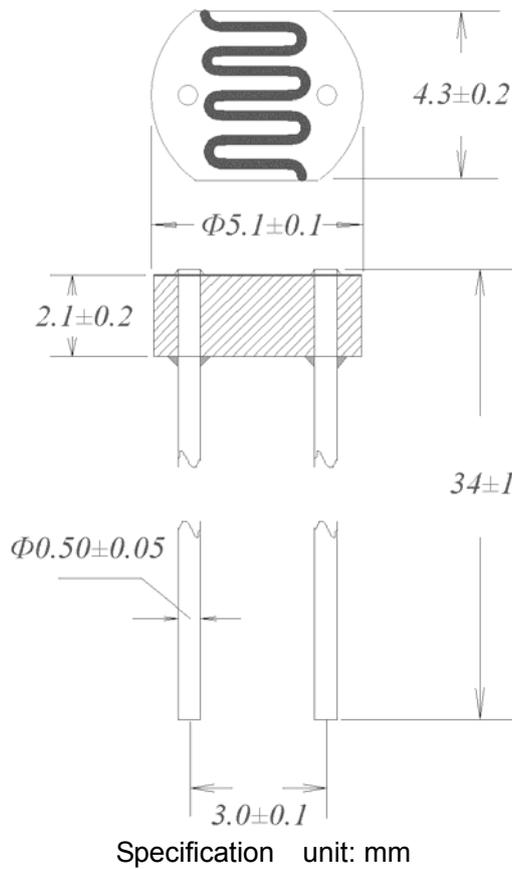
Max external voltage: Maximum voltage to be continuously given to component in the dark.

Max power consumption: Maximum power at the environmental temperature 25°C.

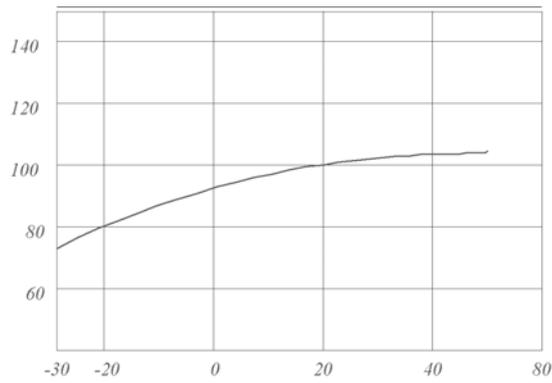
Light resistance Irradiate by 400-600Lux light for two hours, then test with 10Lux under standard light source A(as colour temperature 2856K)

Dark resistance Refer to the resistance value ten seconds after the 10Lux light is shut up.

Main Characteristics Curve and Dimensions



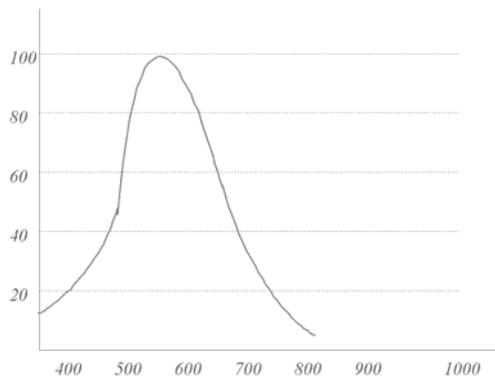
Relative Resistance (%)



Temperature (°C)

Temperature-Property

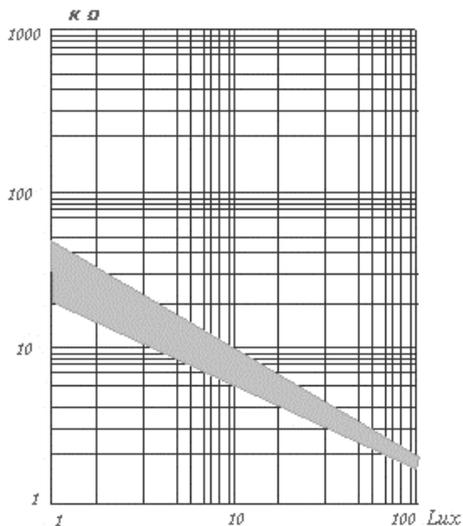
Relative Response (%)



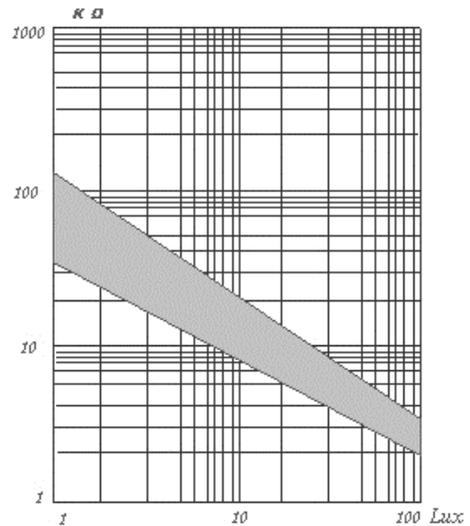
Wavelength λ (nm)

Spectrum Response Characteristic

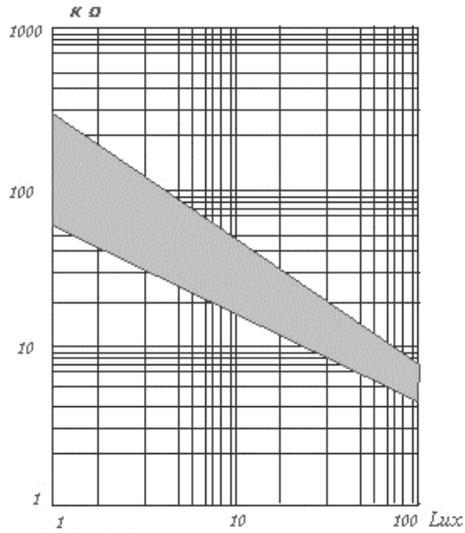
Illuminance-Resistance Characteristics Curve



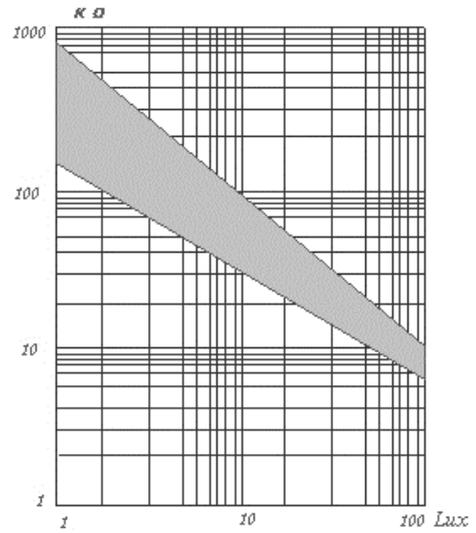
Illuminance-Resistance Curve



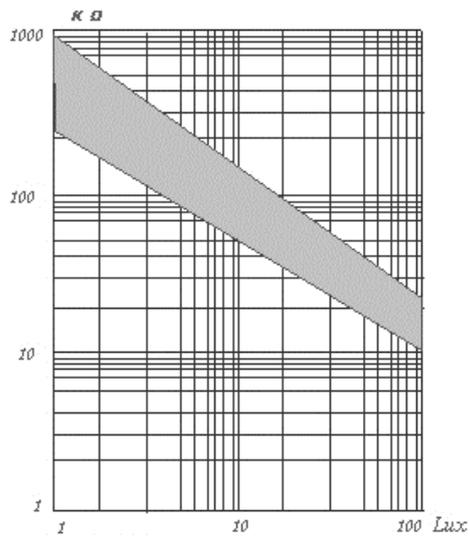
Illuminance-Resistance Curve



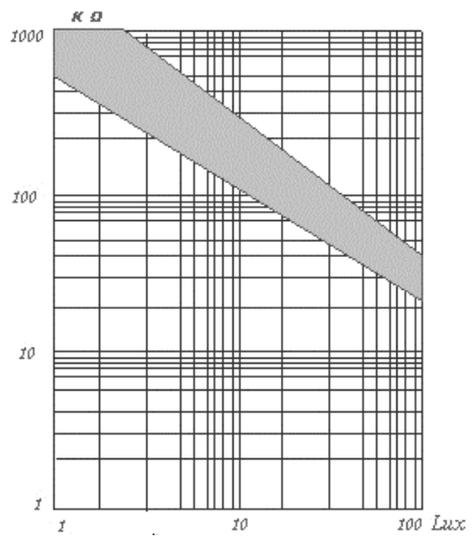
Illuminance -Resistance Curve



Illuminance -Resistance Curve



Illuminance -Resistance Curve



Illuminance -Resistance Curve