

Digilent Nexys-2™ Board

Xilinx Spartan-3E Development Platform

Revision: June 19, 2007

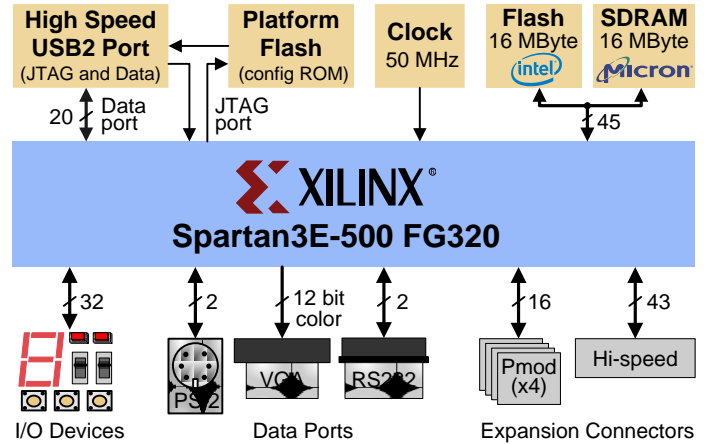


www.digilentinc.com

215 E Main Suite D | Pullman, WA 99163
(509) 334 6306 Voice and Fax

The Nexys-2 is a powerful digital system design platform built around a Xilinx Spartan 3E FPGA. With 16Mbytes of fast SDRAM and 16Mbytes of Flash ROM, the Nexys-2 is ideally suited to embedded processors like Xilinx's 32-bit RISC Microblaze™. The on-board high-speed USB2 port, together with a collection of I/O devices, data ports, and expansion connectors, allow a wide range of designs to be completed without the need for any additional components.

Now everyone can own a powerful, state-of-the-art development system for less than the cost of a textbook!



Features

- 500K-gate Xilinx Spartan-3E FPGA
- USB2 port providing board power, device configuration, and high-speed data transfers
- Works with ISE/Webpack and EDK
- 16MB fast Micron PSDRAM
- 16MB Intel StrataFlash Flash ROM
- Xilinx Platform Flash ROM
- High-efficiency switching power supplies (good for battery-powered applications)
- 50MHz oscillator, plus a socket for a second oscillator
- On-board VGA, PS/2, and serial ports
- 59 FPGA I/O's routed to expansion connectors (one high-speed Hirose FX2 connector with 21 differential pairs and four 6-pin headers)
- All I/O signals are ESD and short-circuit protected, ensuring a long operating life in any environment.
- On-board I/O includes eight LEDs, four-digit seven-segment display, four pushbuttons, eight slide switches
- Ships in a DVD case with a high-speed USB2 cable

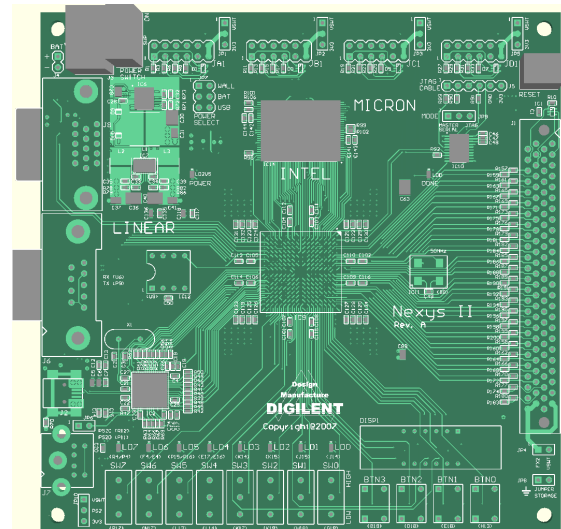


Photo Pending

The Nexys board has been featured in several international design contests, and the submitted designs are available free of charge from www.digilentinc.com. From video processors, to audio synthesizers, to robotics controllers, a large collection of working IP is available to serve as reference materials or to speed new designs along.