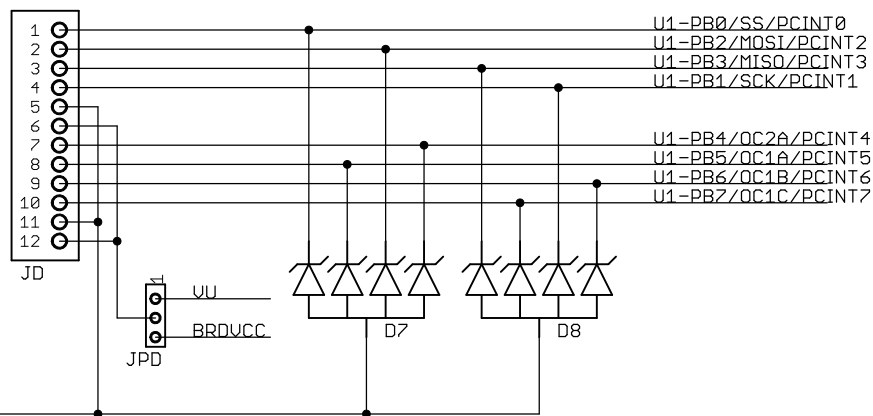
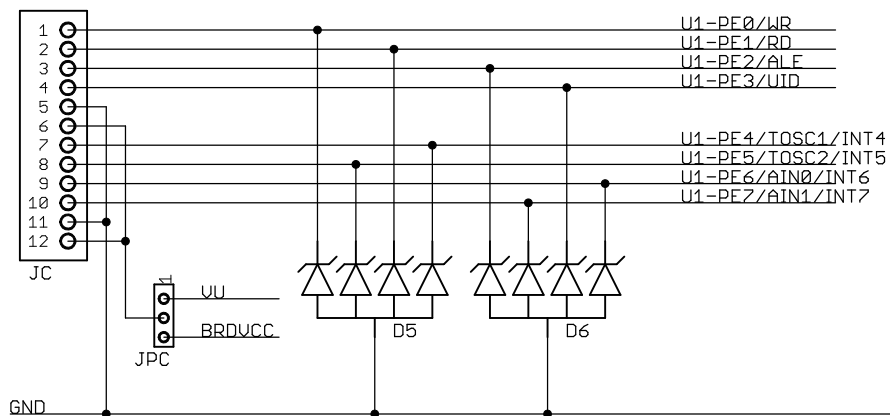
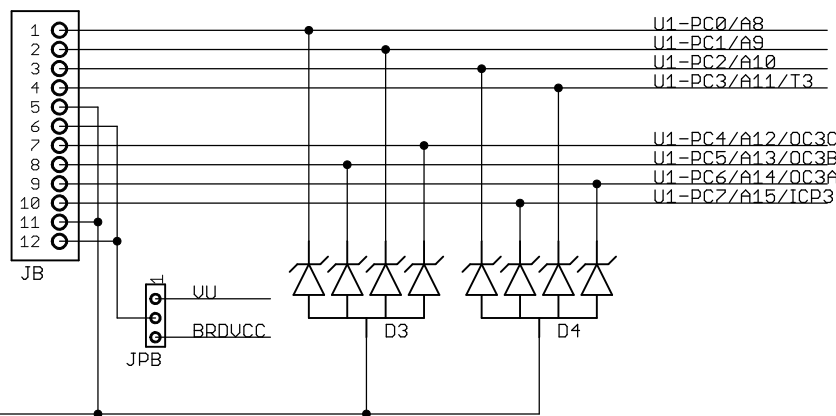
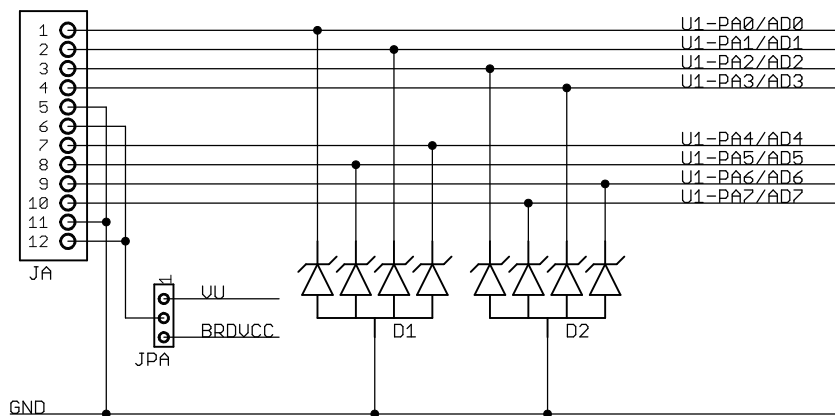


Pmod Connectors



Digilent Inc. I/O Explorer Powered By Adept

Digilent I/O Explorer  
Copyright 2010, Digilent Inc.

Engineer: NEA

SHEET: Pmod Connectors

Author: NEA

TITLE: IO Explorer

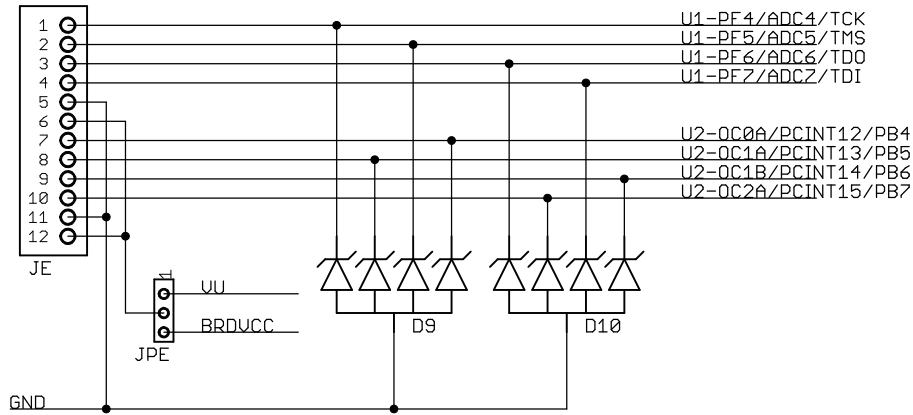
Rev: C

Doc#: 500-174

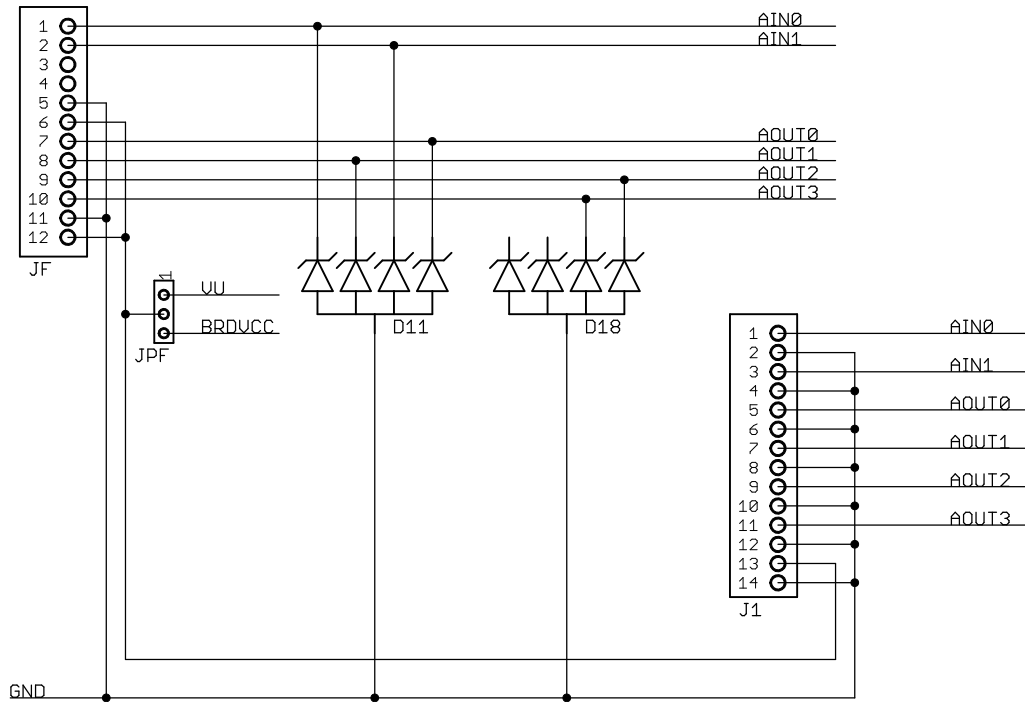
Date: 03/30/2010

Sheet: 1/9

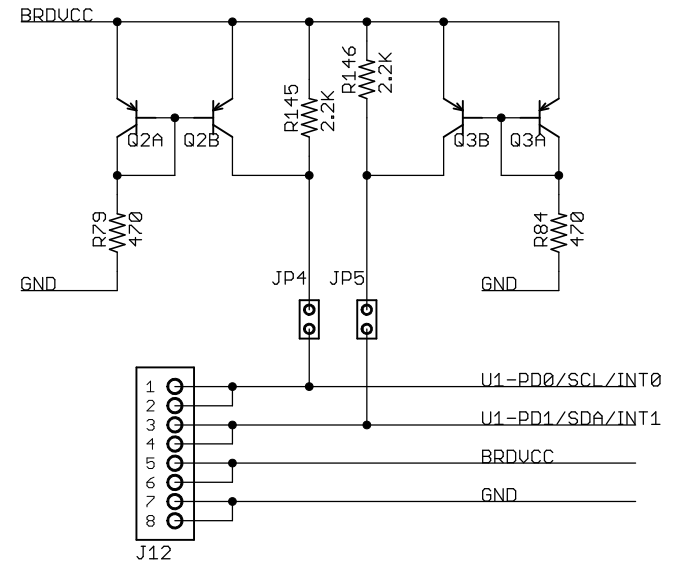
Pmod Connector



Analog Input/Output Connectors



TWI Daisy Chain



Digilent I/O Explorer  
Copyright 2010, Digilent Inc.

Engineer: NEA

SHEET: Pmod Connectors

Author: NEA

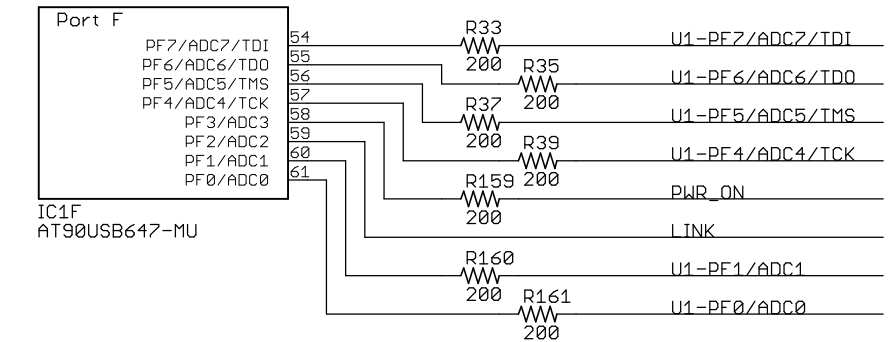
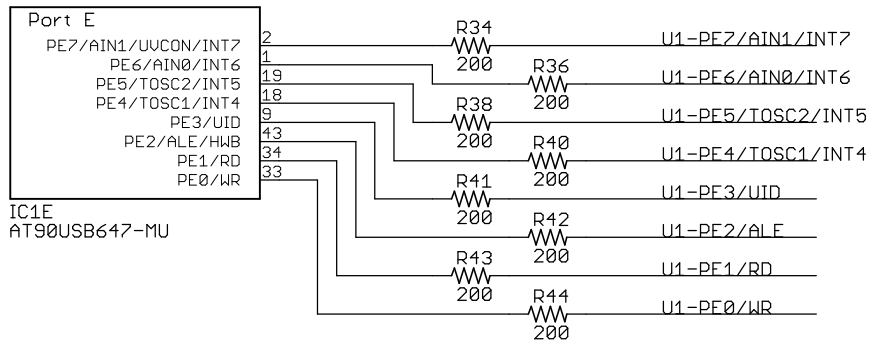
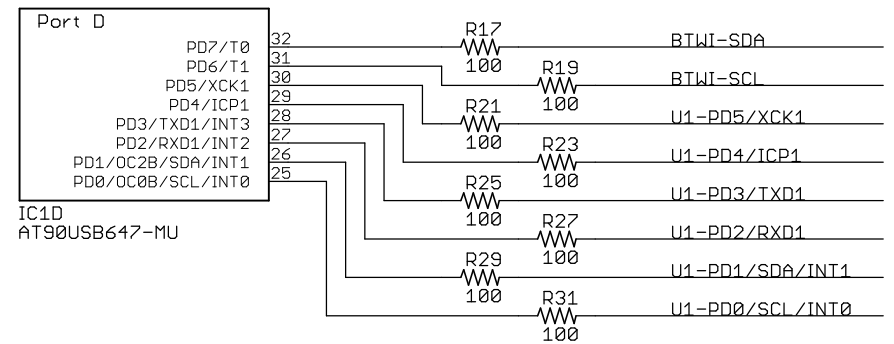
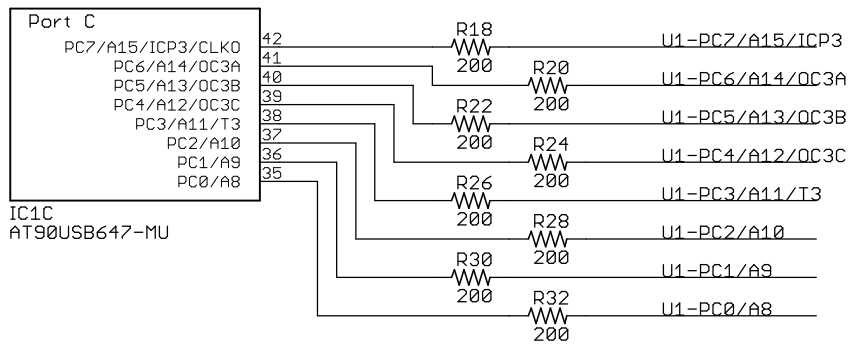
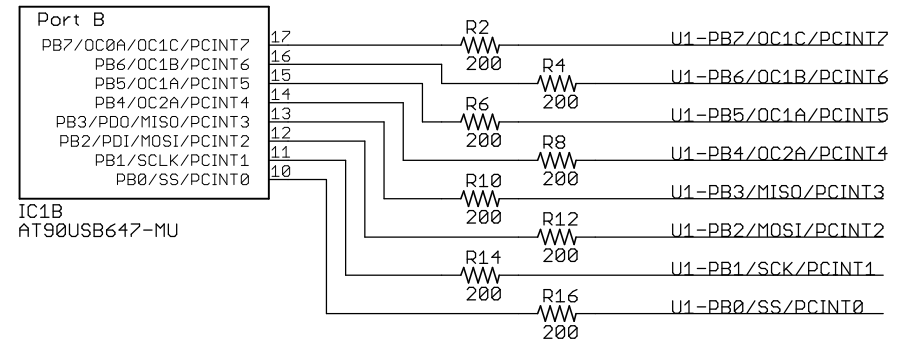
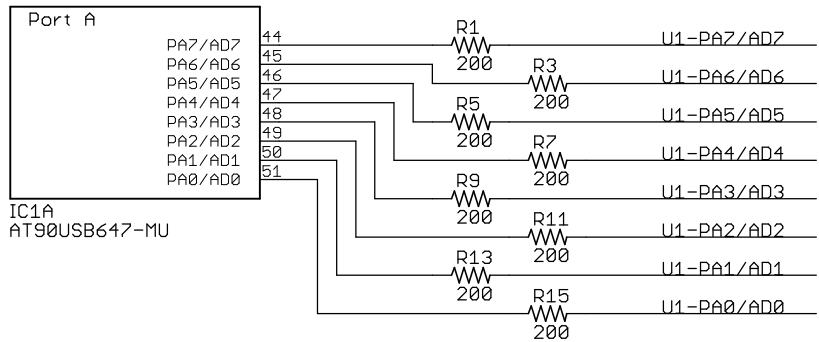
TITLE: IO Explorer

Rev: C

Doc#: 500-174

Date: 03/30/2010

Sheet: 2/9



Digilent I/O Explorer  
Copyright 2010, Digilent Inc.

Engineer: NEA

SHEET: USB Controller

Author: NEA

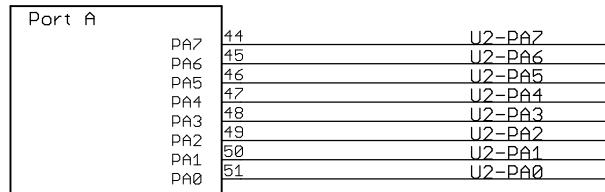
TITLE: IO Explorer

Rev: C

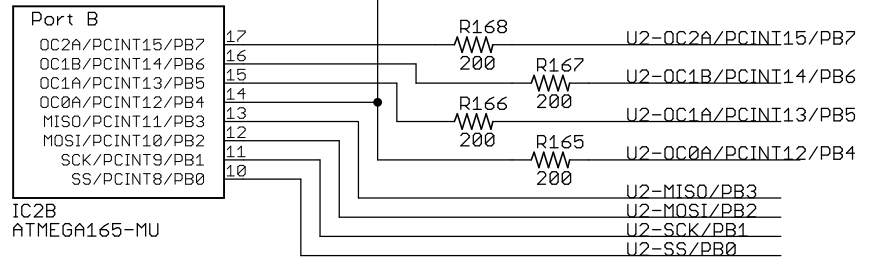
Doc#: 500-174

Date: 03/30/2010

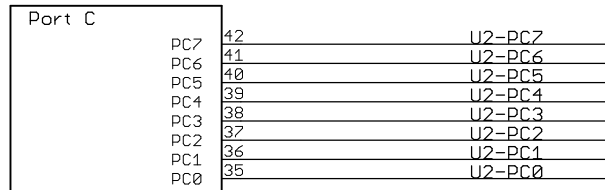
Sheet: 3/9



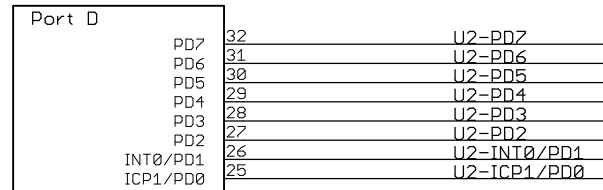
IC2A  
ATMEGA165-MU



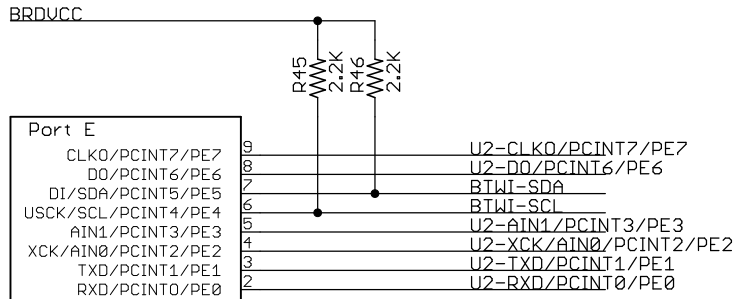
IC2B  
ATMEGA165-MU



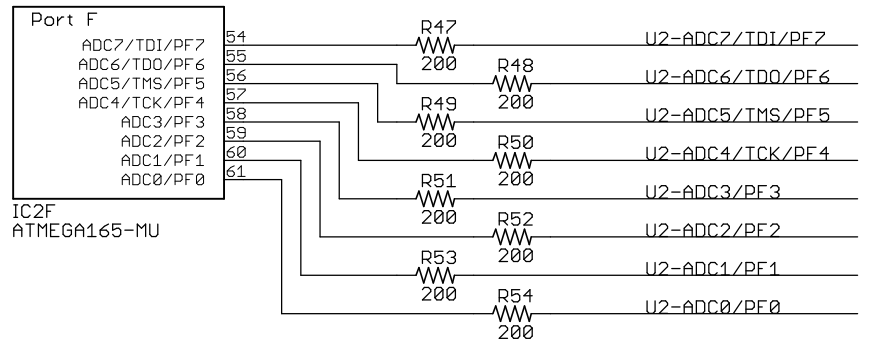
IC2C  
ATMEGA165-MU



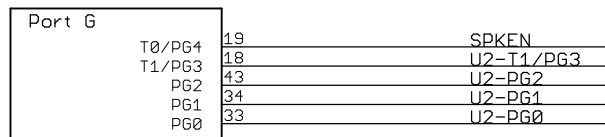
IC2D  
ATMEGA165-MU



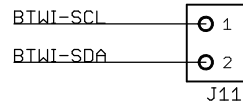
IC2E  
ATMEGA165-MU



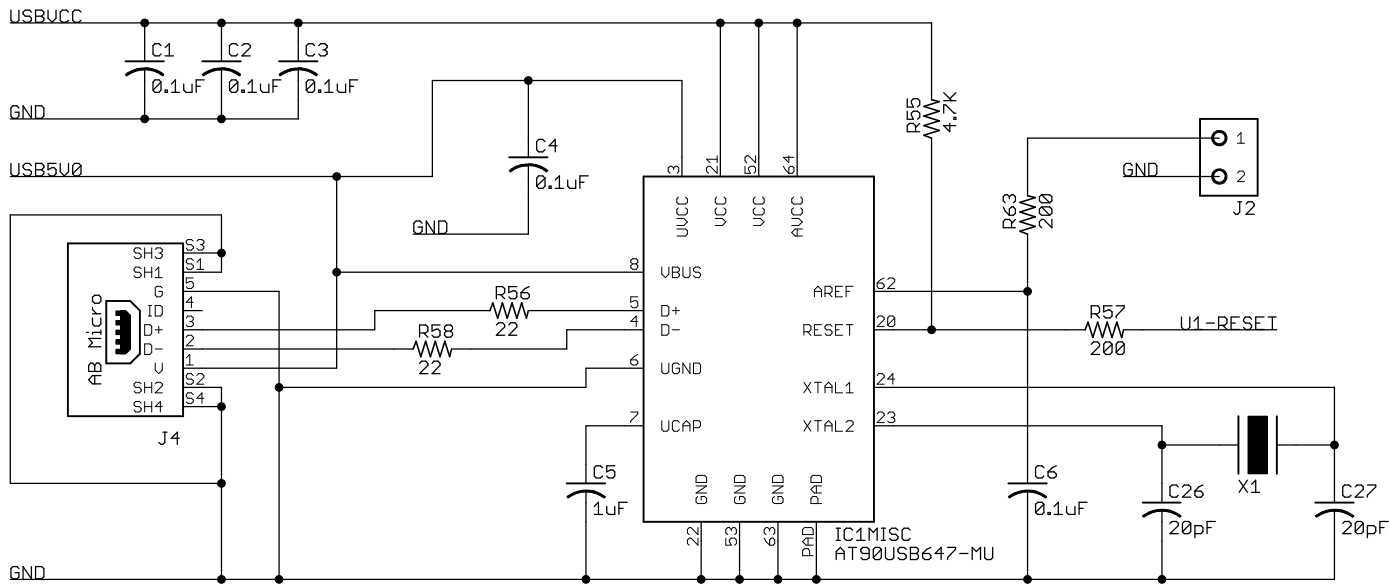
IC2F  
ATMEGA165-MU



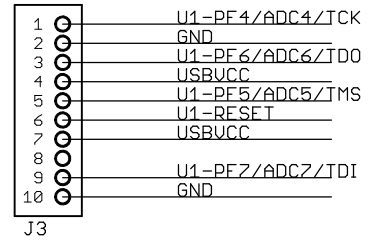
IC2G  
ATMEGA165-MU



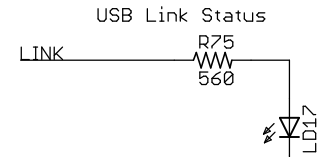
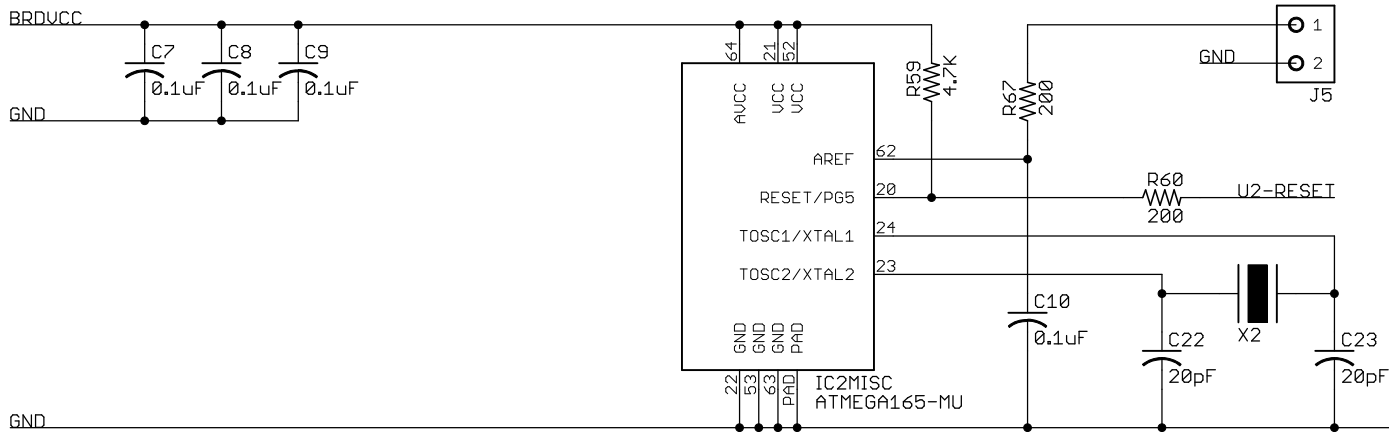
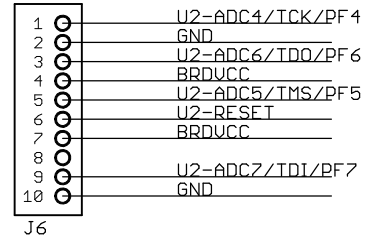
Digilent I/O Explorer Copyright 2010, Digilent Inc.		Engineer: NEA
SHEET: Secondary Microcontroller		Author: NEA
TITLE: IO Explorer		Rev: C
Doc#: 500-174	Date: 03/30/2010	Sheet: 4/9



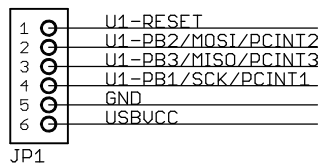
AT90USB646 Debug



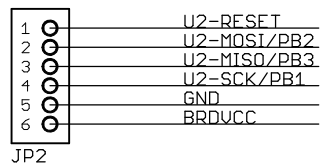
ATmega165P Debug



AT90USB646 ISP



ATmega165 ISP



Digilent I/O Explorer  
Copyright 2010, Digilent Inc.

Engineer: NEA

SHEET: In-System Program and Debug

Author: NEA

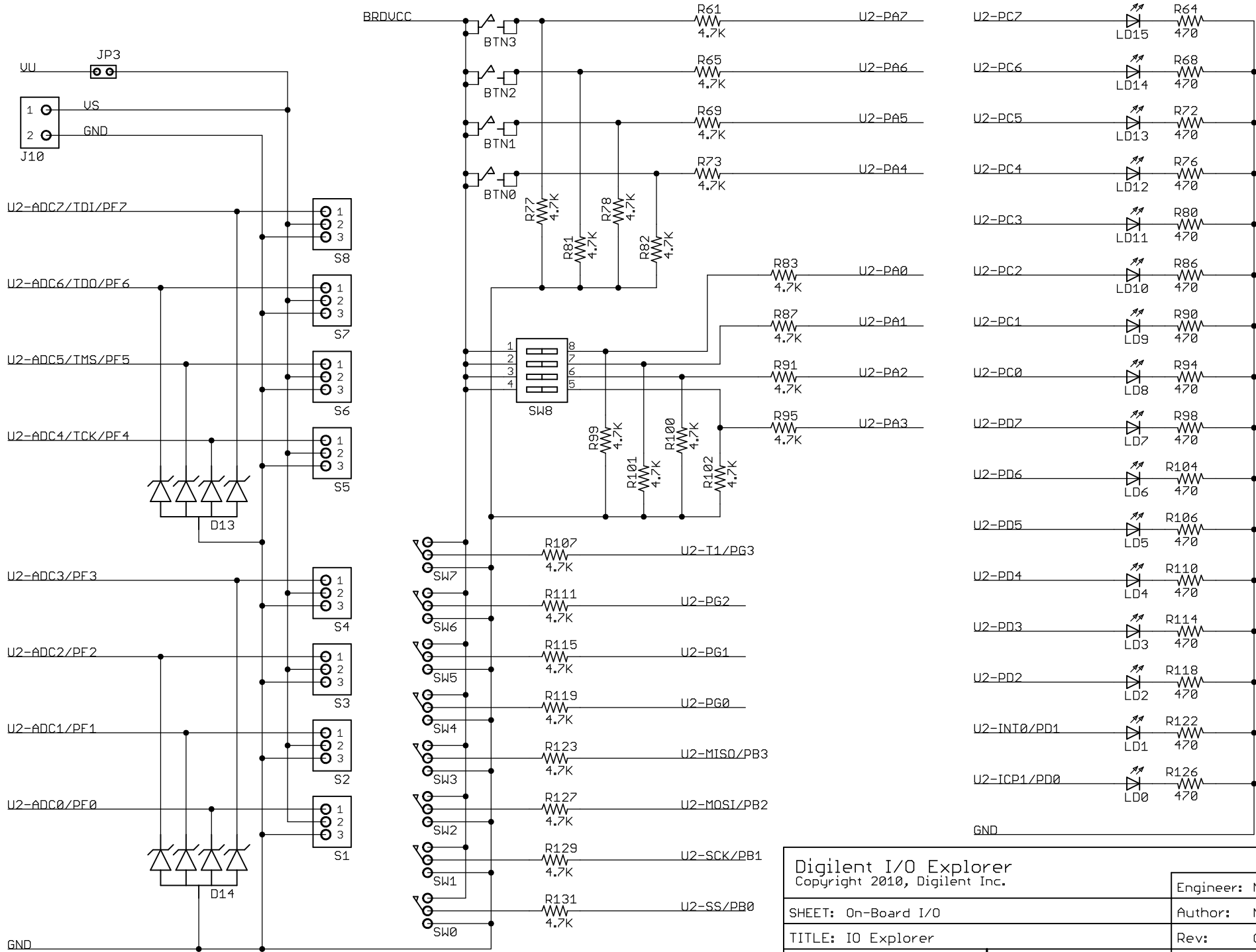
TITLE: IO Explorer

Rev: C

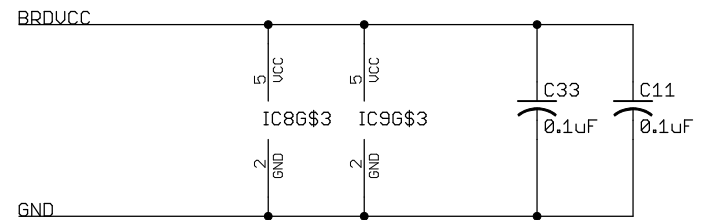
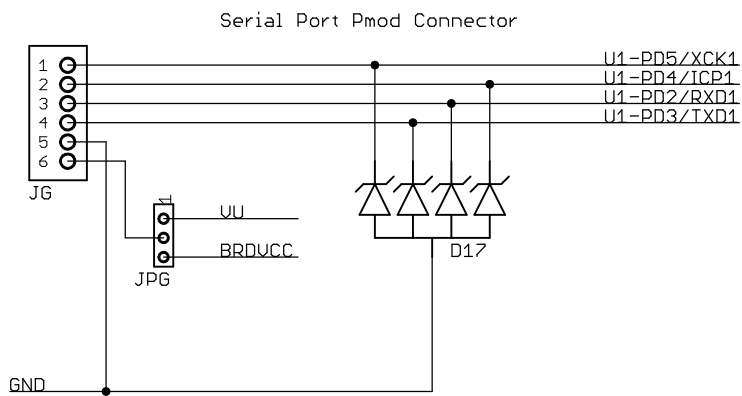
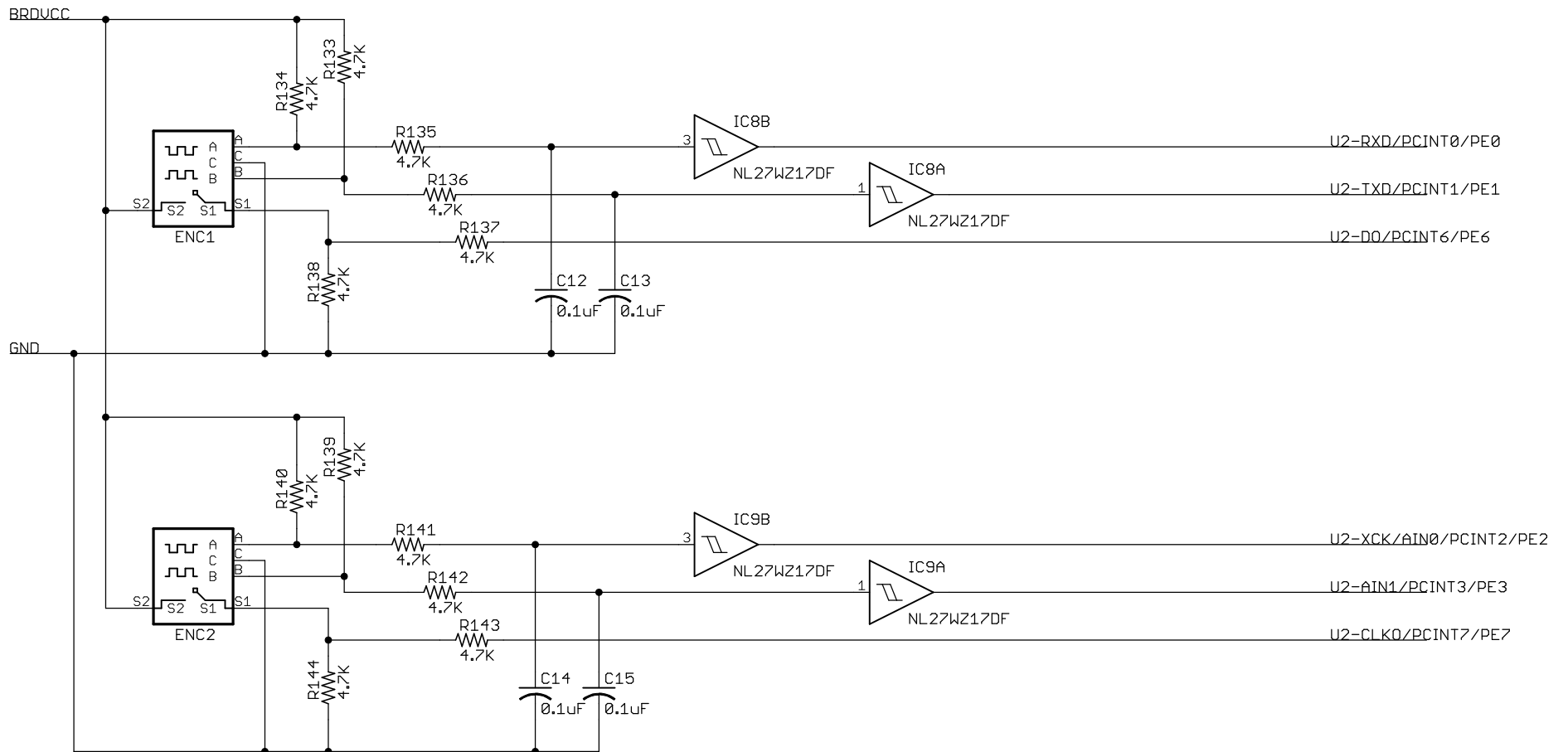
Doc#: 500-174

Date: 03/30/2010

Sheet: 5/9



<b>Digilent I/O Explorer</b> Copyright 2010, Digilent Inc.		Engineer: NEA
SHEET: On-Board I/O		Author: NEA
TITLE: IO Explorer		Rev: C
Doc#: 500-174	Date: 03/30/2010	Sheet: 6/9



Digilent I/O Explorer  
Copyright 2010, Digilent Inc.

Engineer: NEA

SHEET: Rotary Encoders and Serial Port

Author: NEA

TITLE: IO Explorer

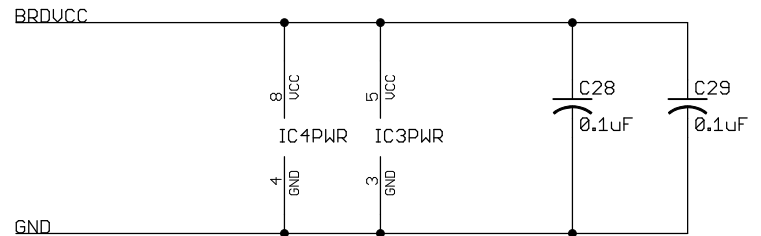
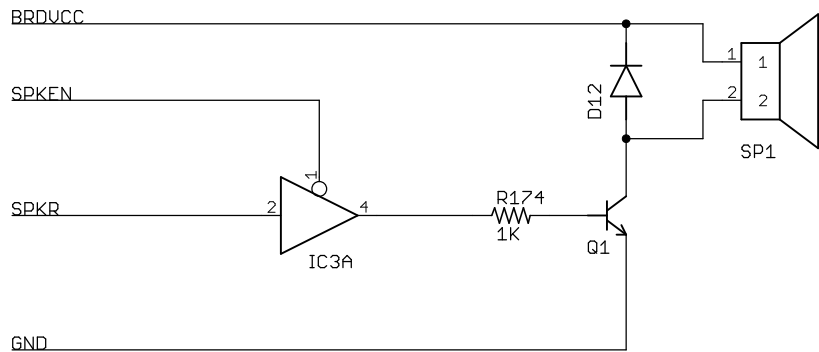
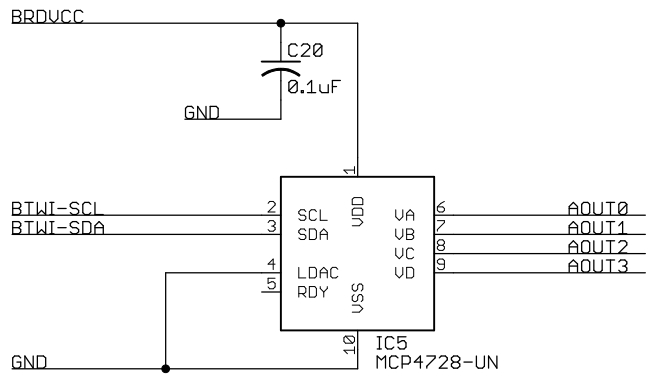
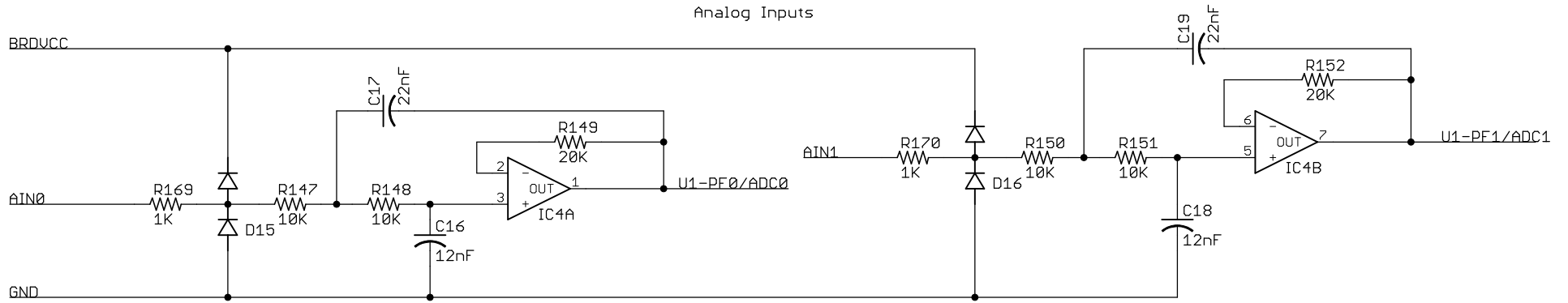
Rev: C

Doc#: 500-174

Date: 03/30/2010

Sheet: 7/9

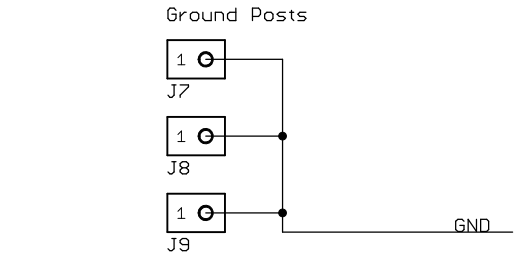
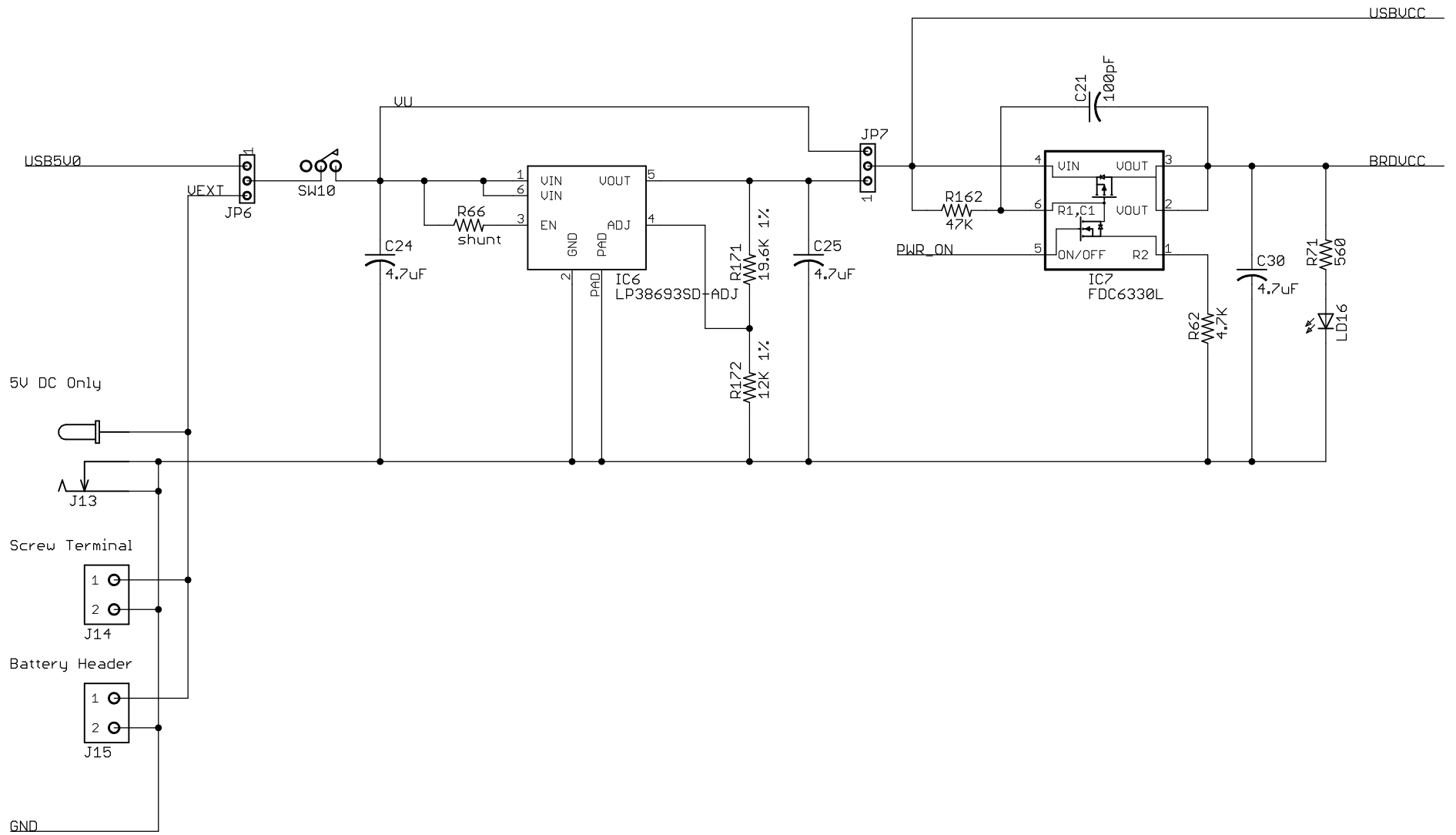
Analog Inputs



Digilent I/O Explorer  
Copyright 2010, Digilent Inc.

SHEET: Analog Input/Output		Engineer: NEA
TITLE: IO Explorer		Author: NEA
Doc#: 500-174		Rev: C
Date: 03/30/2010		Sheet: 8/9





Notes:

For LP38691: R66=No Load, R171=shunt, R172=33K  
 For LP38693: R66=shunt, R171=shunt, R172=33K  
 For LP38691-ADJ: R66=No Load, R171=19.6K 1%, R172=12K 1%  
 For LP38693-ADJ: R66=shunt, R171=19.6K 1%, R172=12K 1%

Digilent I/O Explorer Copyright 2010, Digilent Inc.		Engineer: NEA
SHEET: Power Supplies		Author: NEA
TITLE: IO Explorer		Rev: C
Doc#: 500-174	Date: 03/30/2010	Sheet: 9/9