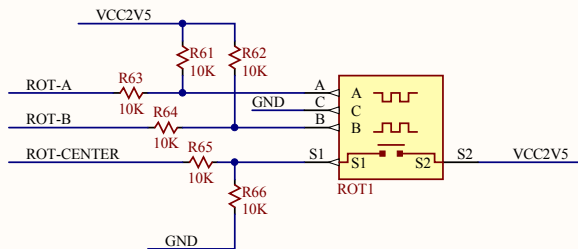
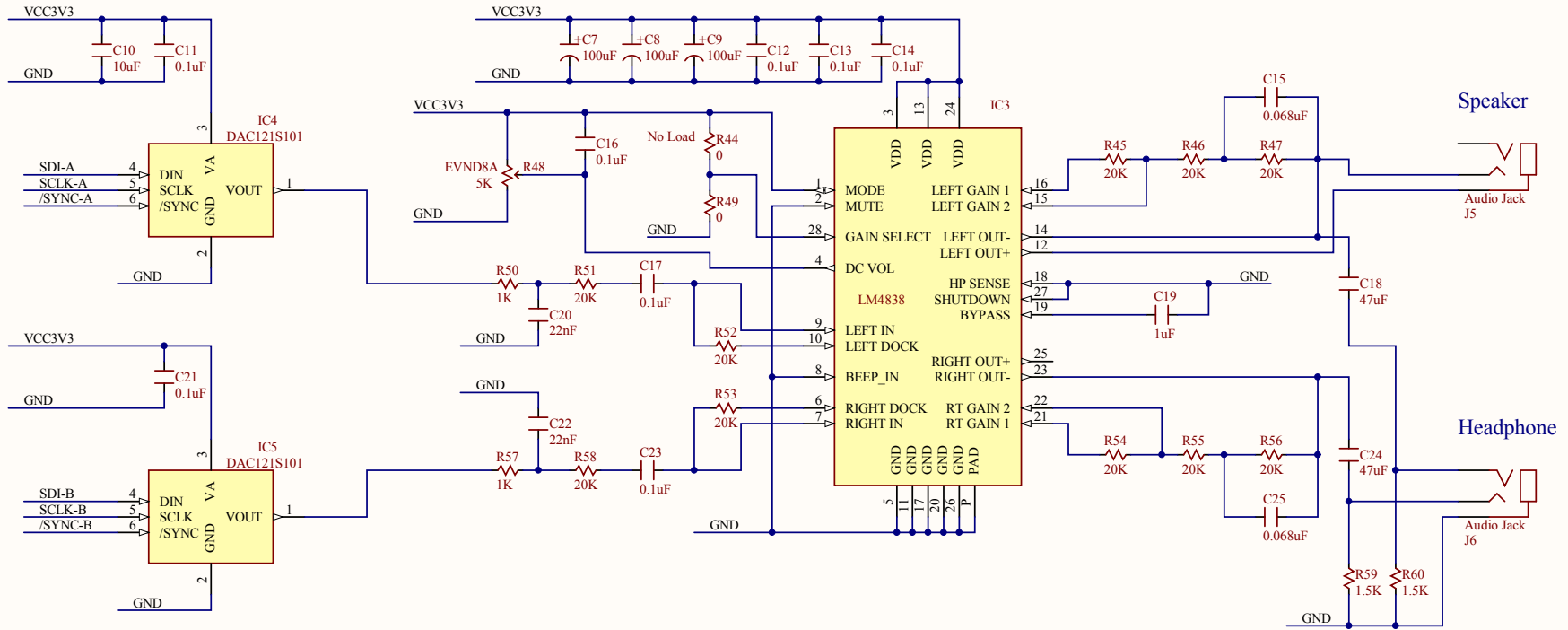
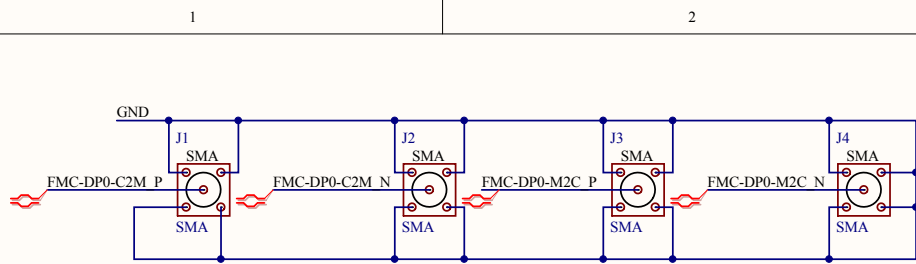


Digilent Inc.  
 Xilinx  
 ROHS  
 Chinese ROHS

Foot  
 F1  
 Foot  
 F2

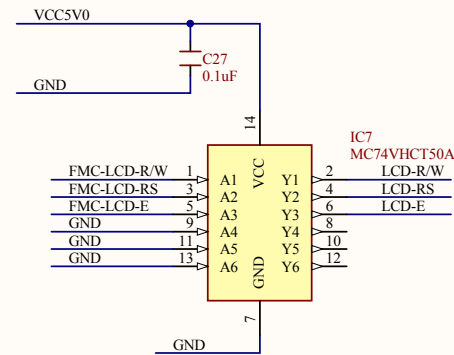
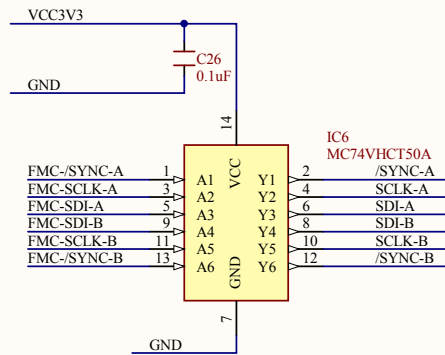
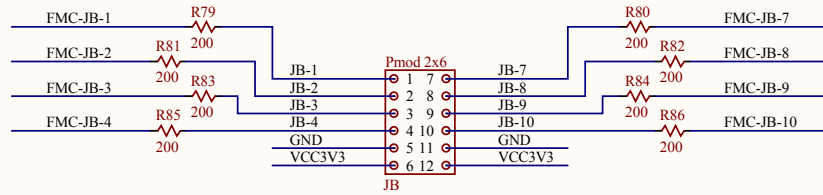
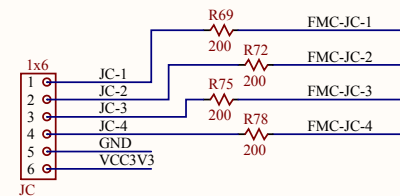
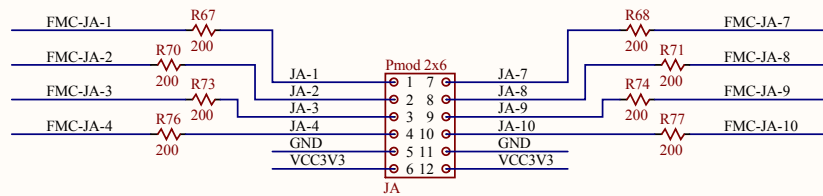
Title		Rev	
FMC-CE		B.0	
Circuit IO and LCD		Copyright	
LCD Power			
Doc#	6003-500-012		
Engineer	CC		
Author	CLG		
Date	02/26/2010		
Sheet#	1 out of 4		



Title		<b>FMC-CE</b>		Rev	<b>B.0</b>
Circuit		Audio Circuitry		Copyright	
		SMA connectors			
Doc#	6003-500-012				
Engineer	CC				
Author	CLG				
Date	02/26/2010				
Sheet#	2 out of 4				

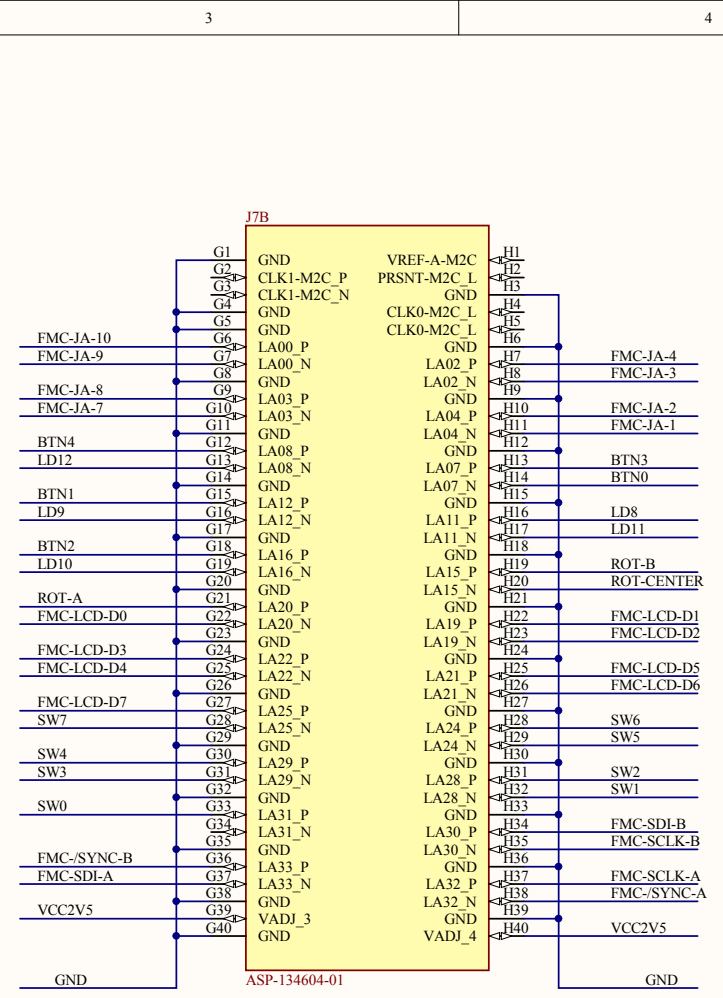
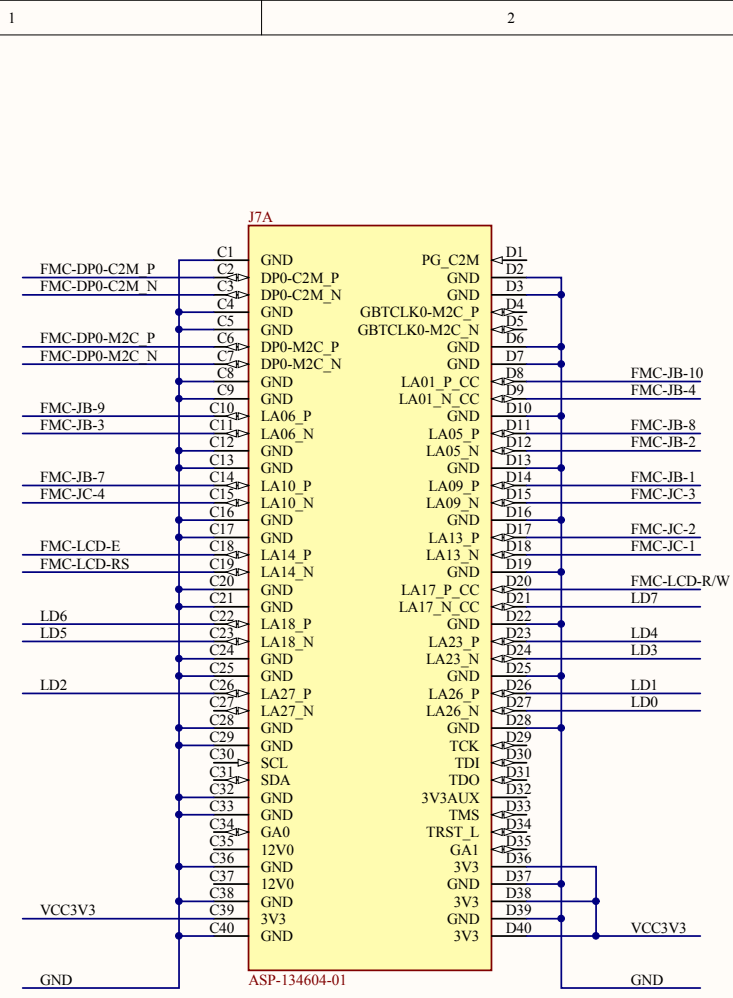


**DIGILENT**  
www.digilentinc.com



Title		<b>FMC-CE</b>		Rev	<b>B.0</b>
				Copyright	
Circuit	Level Shifters		Pmod Connectors		
Doc#	6003-500-012				
Engineer	CC				
Author	CLG				
Date	02/26/2010				
Sheet#	3	out of	4		





Title		<b>FMC-CE</b>		Rev		<b>B.0</b>	
Circuit		FMC Connector		Copyright			
Doc#		6003-500-012		 www.digilentinc.com			
Engineer		CC					
Author		CLG					
Date		02/26/2010					
Sheet#		4 out of 4					