

Digilent Inc.  
Romania

Texas Instruments  
Xilinx WEEE

Digilent Dexter Board

Copyright 2008 Digilent Inc.

Engineer: MD

SHEET: Connectors and Breadboards

Author: CLG

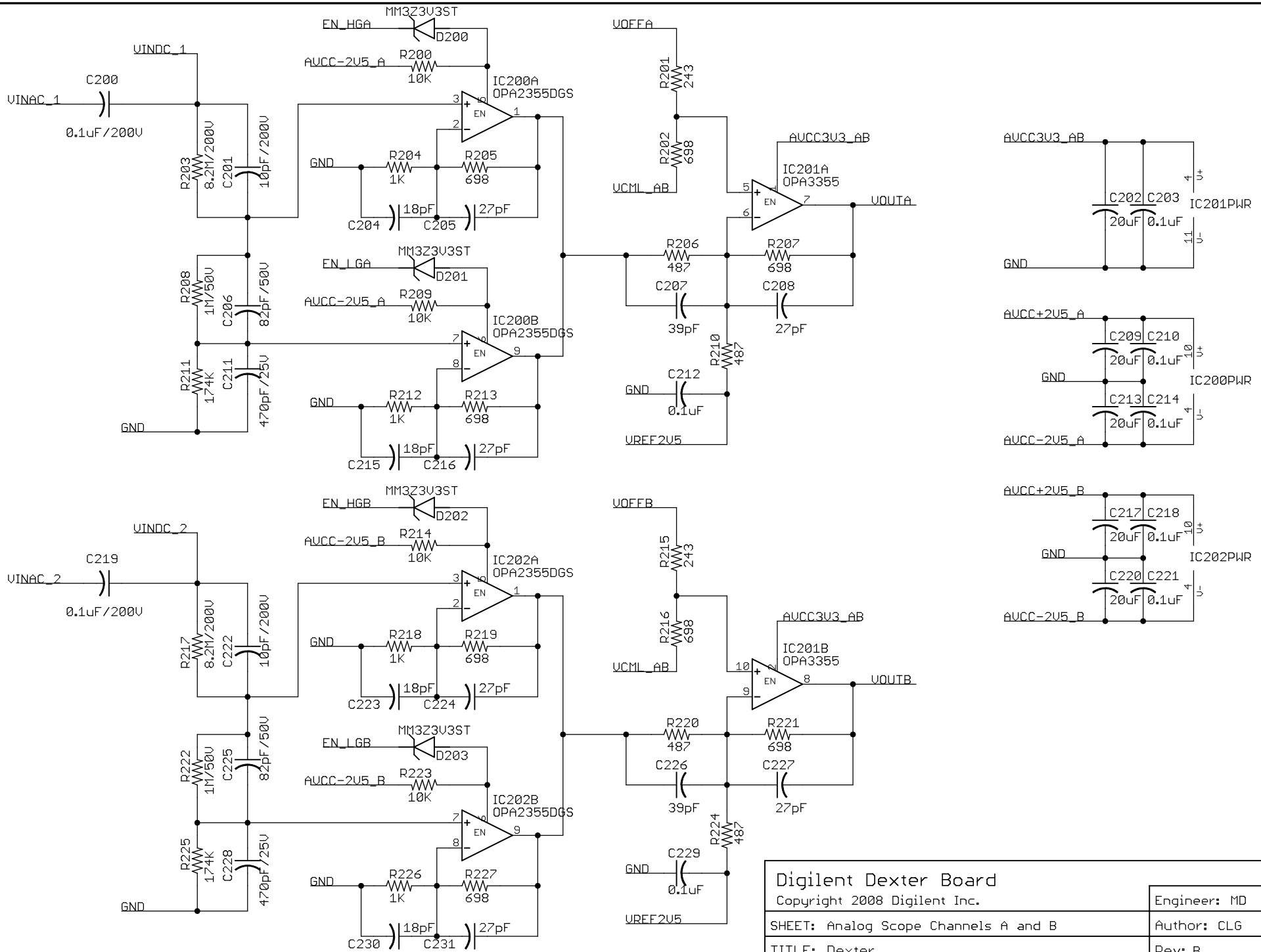
TITLE: Dexter

Rev: B

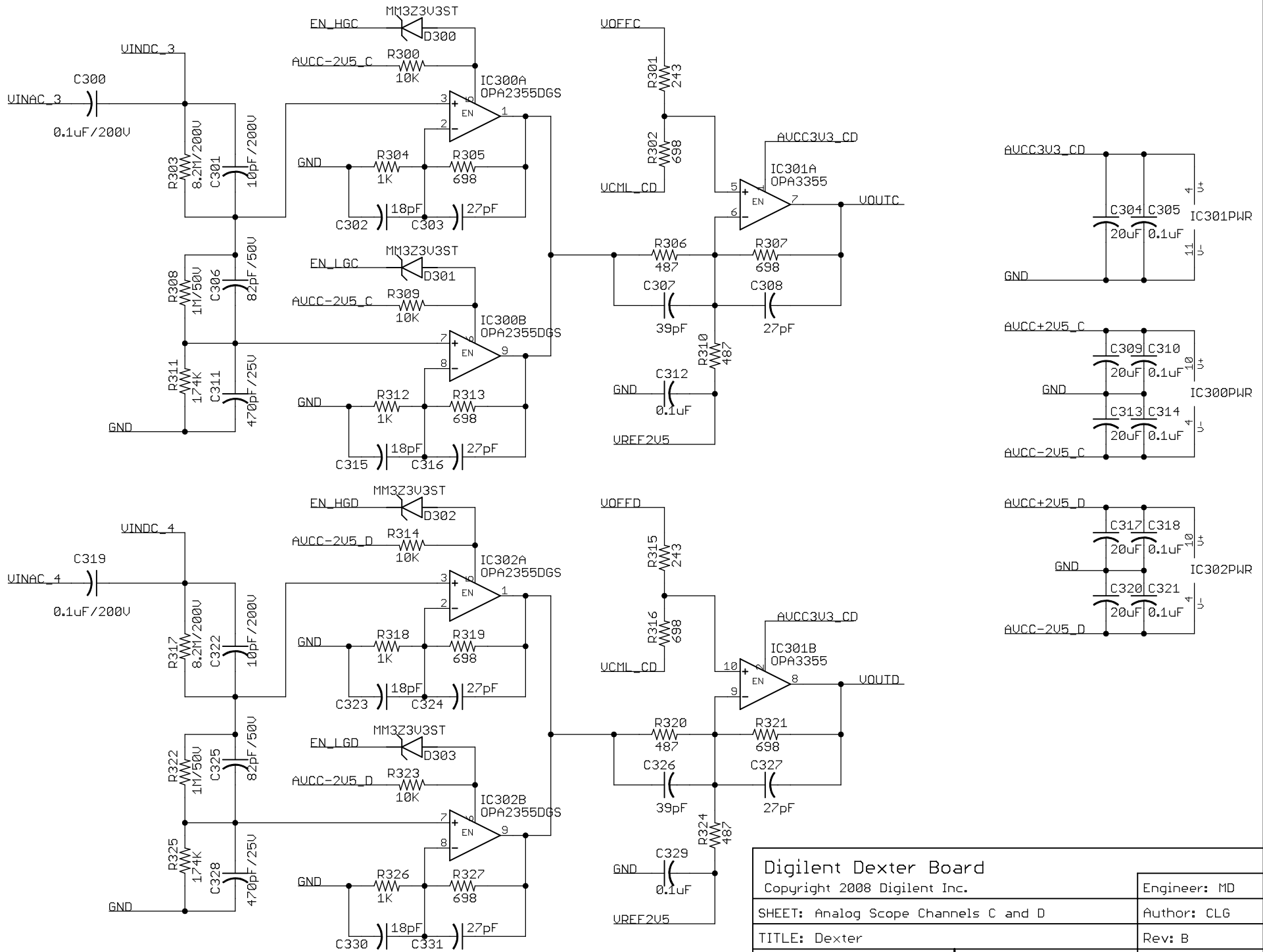
Doc#: 500-151

Date: 11/05/2008

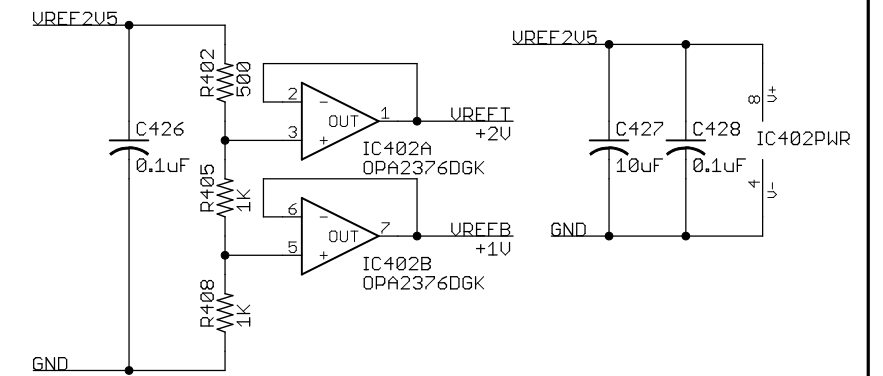
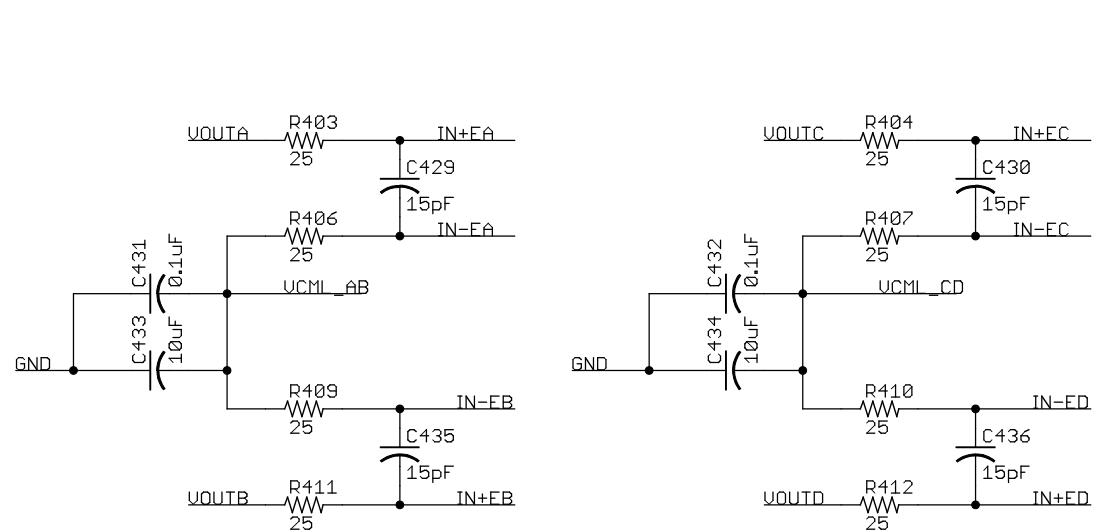
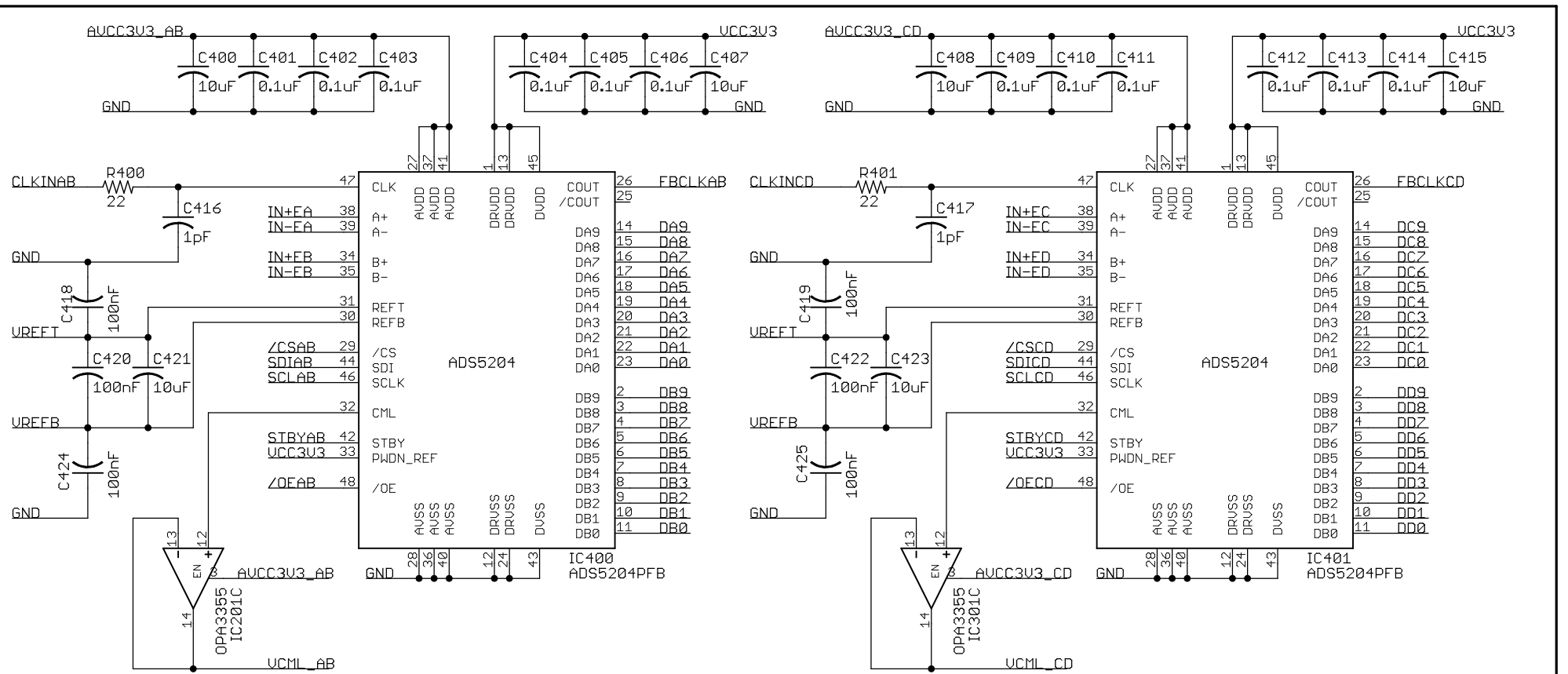
Sheet: 1/17



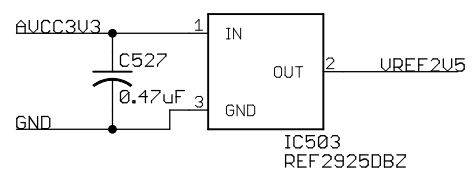
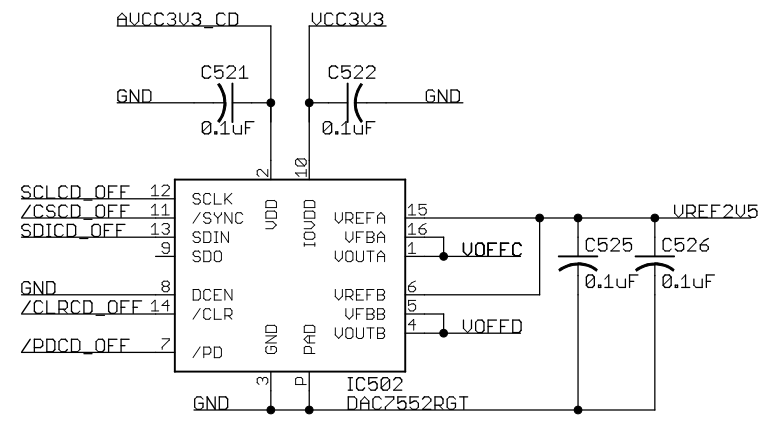
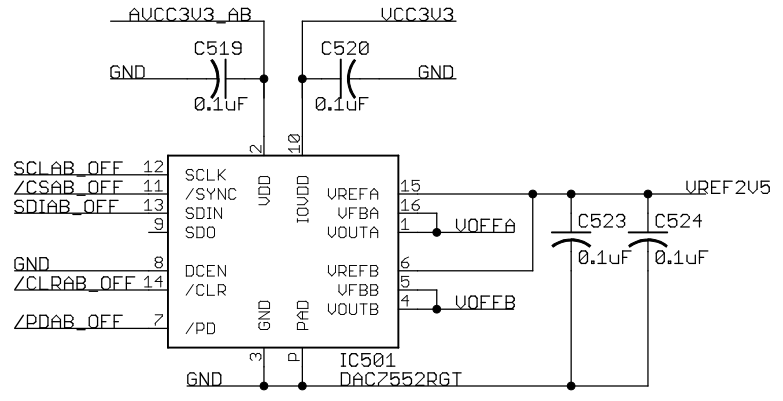
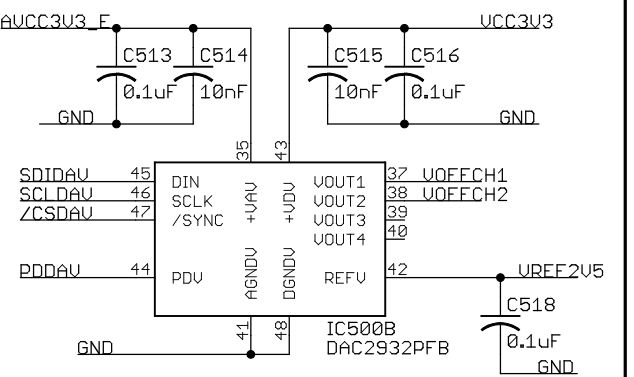
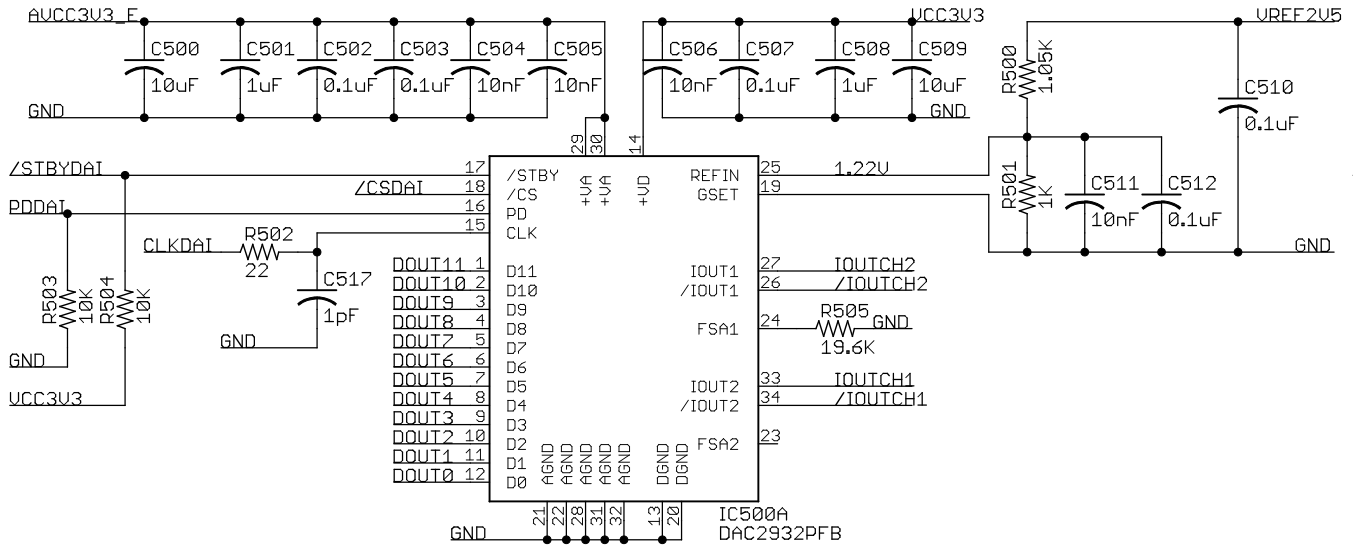
<b>Digilent Dexter Board</b> Copyright 2008 Digilent Inc.		Engineer: MD
		Author: CLG
SHEET: Analog Scope Channels A and B		Rev: B
TITLE: Dexter		Date: 11/05/2008
Doc#: 500-151	Date: 11/05/2008	Sheet: 2/17



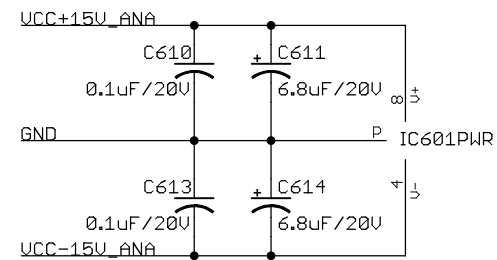
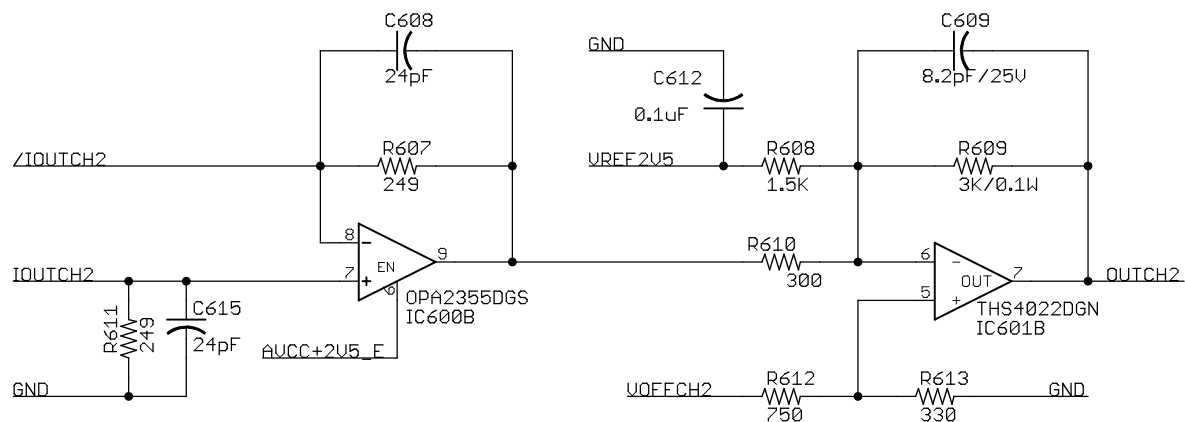
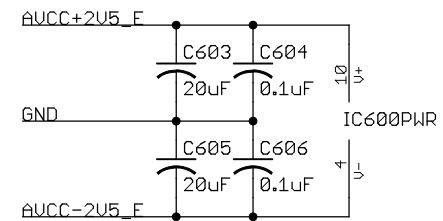
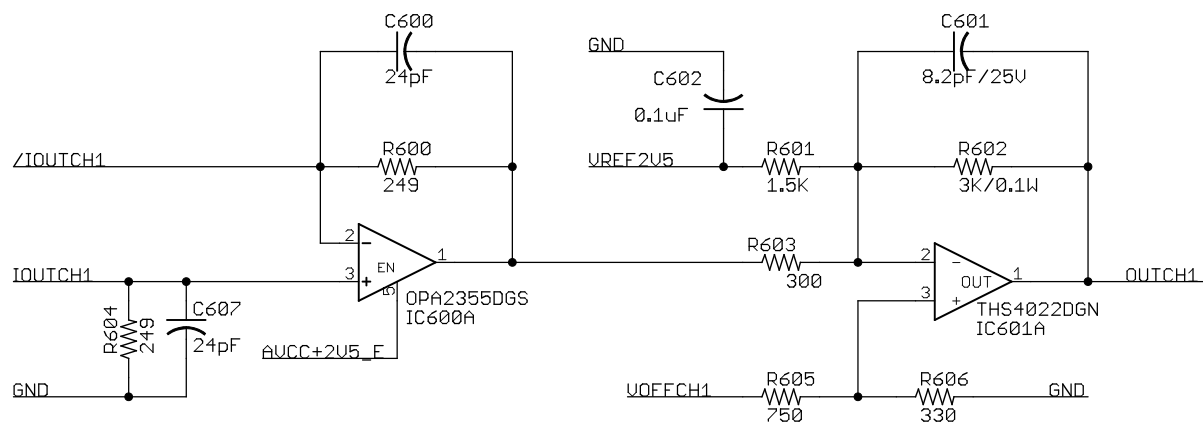
<b>Digilent Dexter Board</b> Copyright 2008 Digilent Inc.		Engineer: MD
		Author: CLG
SHEET: Analog Scope Channels C and D		Rev: B
TITLE: Dexter		Date: 11/05/2008
Doc#: 500-151	Date: 11/05/2008	Sheet: 3/17



<b>Digilent Dexter Board</b>		Engineer: MD
Copyright 2008 Digilent Inc.		Author: CLG
SHEET: Analog to Digital Converters Output Buffers		Rev: B
TITLE: Dexter		Date: 11/05/2008
Doc#: 500-151	Date: 11/05/2008	Sheet: 4/17



Digilent Dexter Board		Engineer: MD
Copyright 2008 Digilent Inc.		Author: CLG
SHEET: Digital to Analog Converters		Rev: B
TITLE: Dexter		Date: 11/05/2008
Doc#: 500-151	Date: 11/05/2008	Sheet: 5/17



Digilent Dexter Board

Copyright 2008 Digilent Inc.

Engineer: MD

SHEET: Waveform Generator Channels  
Analog Amplifiers

Author: CLG

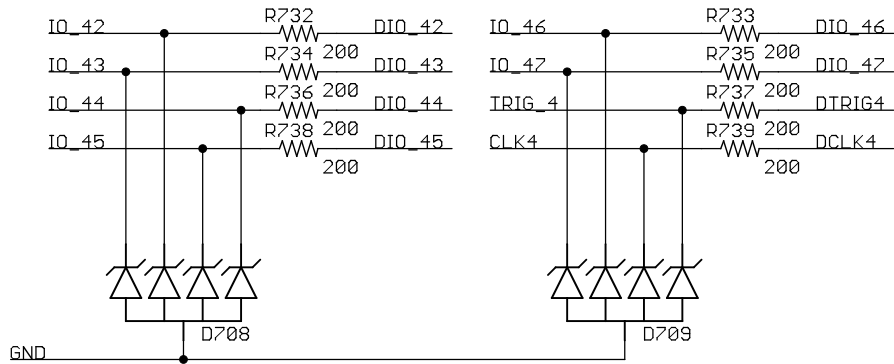
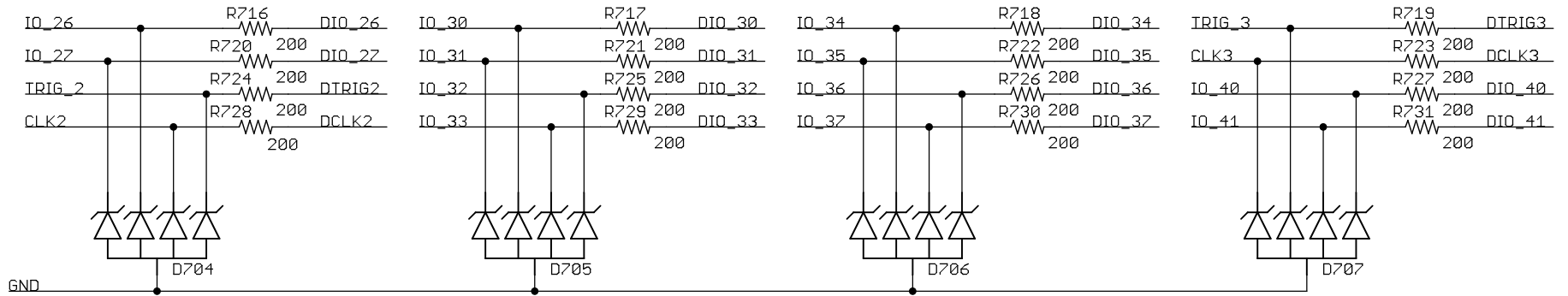
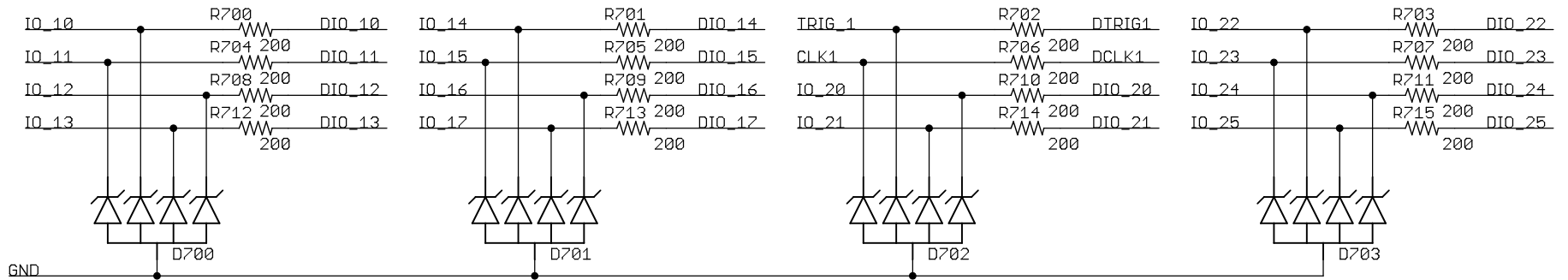
TITLE: Dexter

Rev: B

Doc#: 500-151

Date: 11/05/2008

Sheet: 6/17



Digilent Dexter Board

Copyright 2008 Digilent Inc.

Engineer: MD

SHEET: Digital Inputs / Outputs

Author: CLG

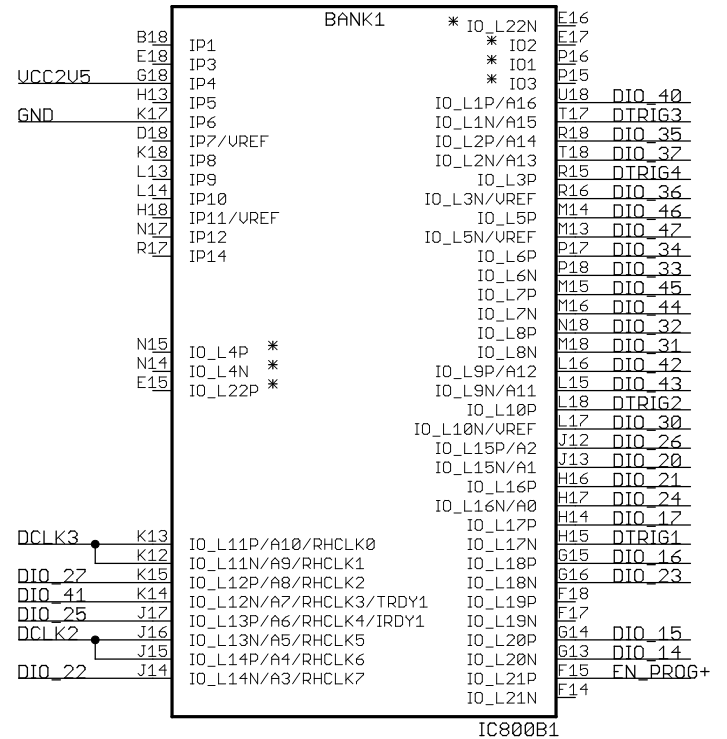
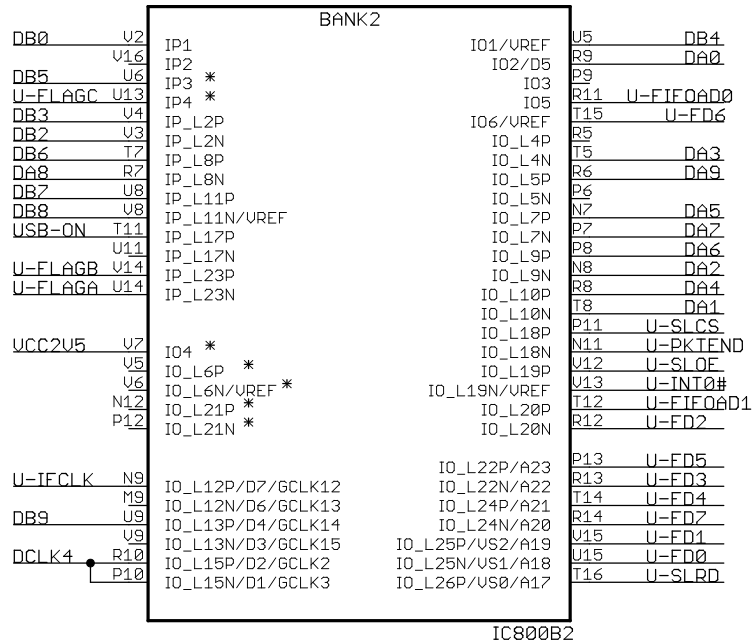
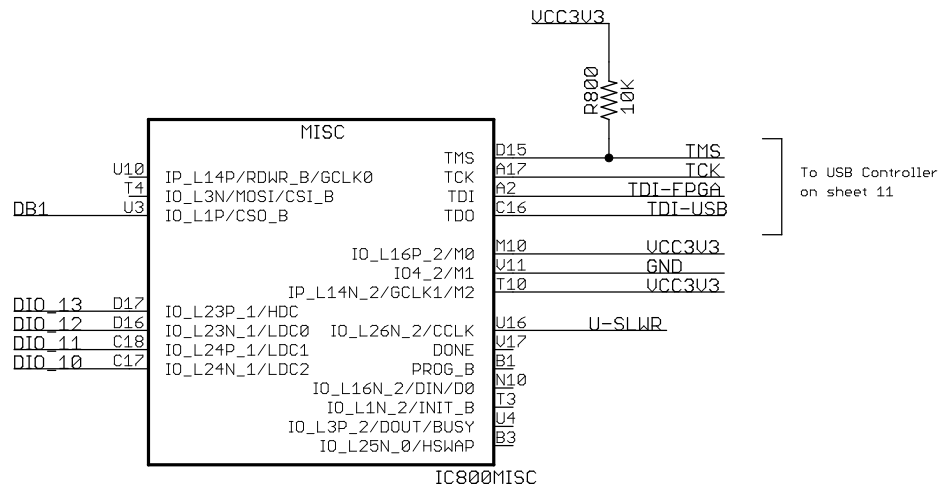
TITLE: Dexter

Rev: B

Doc#: 500-151

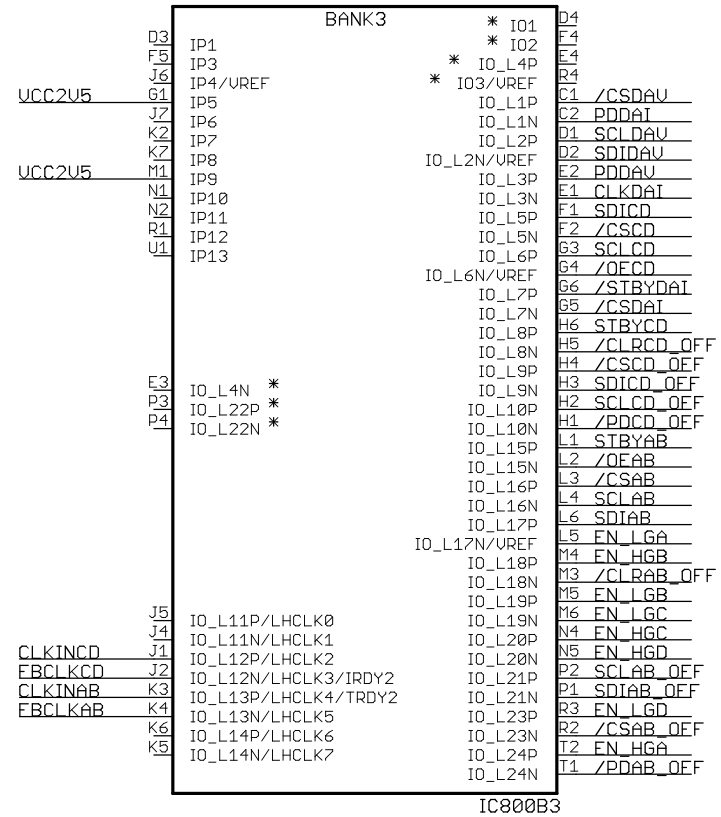
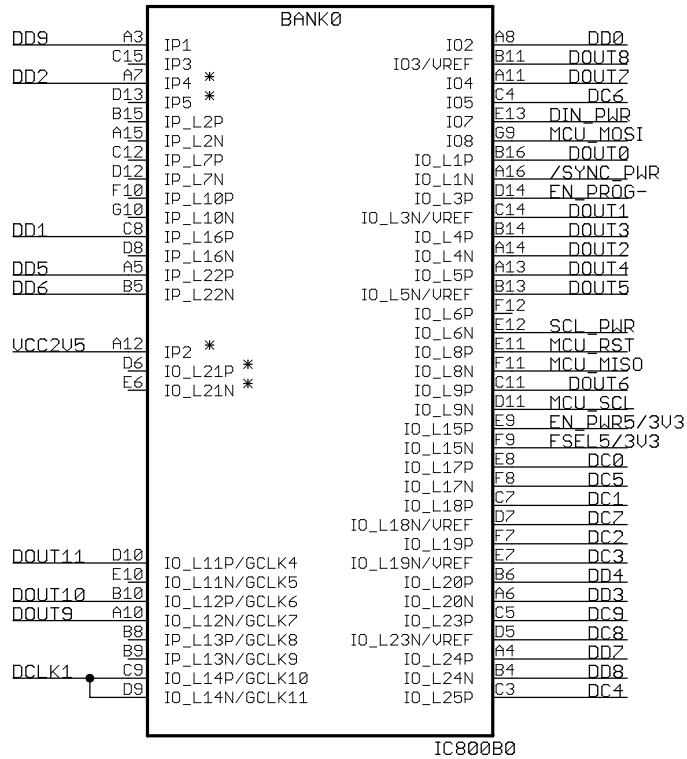
Date: 11/05/2008

Sheet: 7/17

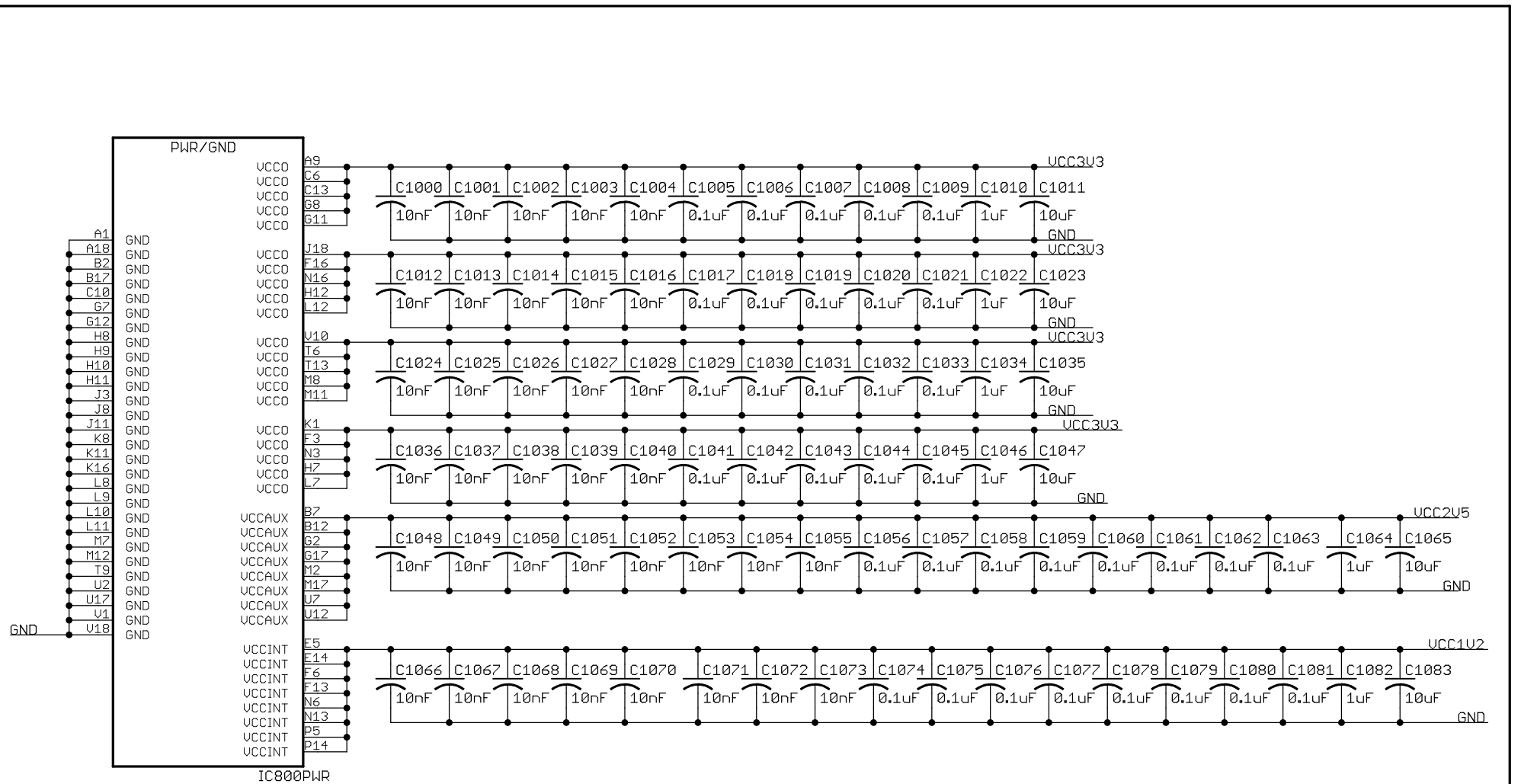


Digilent Dexter Board		Engineer: MD
Copyright 2008 Digilent Inc.		Author: CLG
SHEET: FPGA Programming, Bank 1 and Bank 2		Rev: B
TITLE: Dexter		Doc#: 500-151
Date: 11/05/2008	Sheet: 8/17	

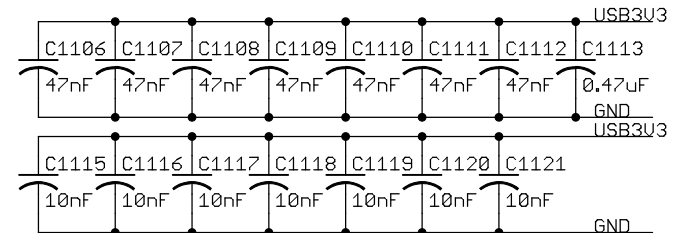
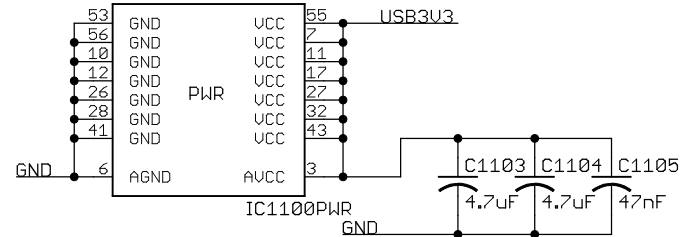
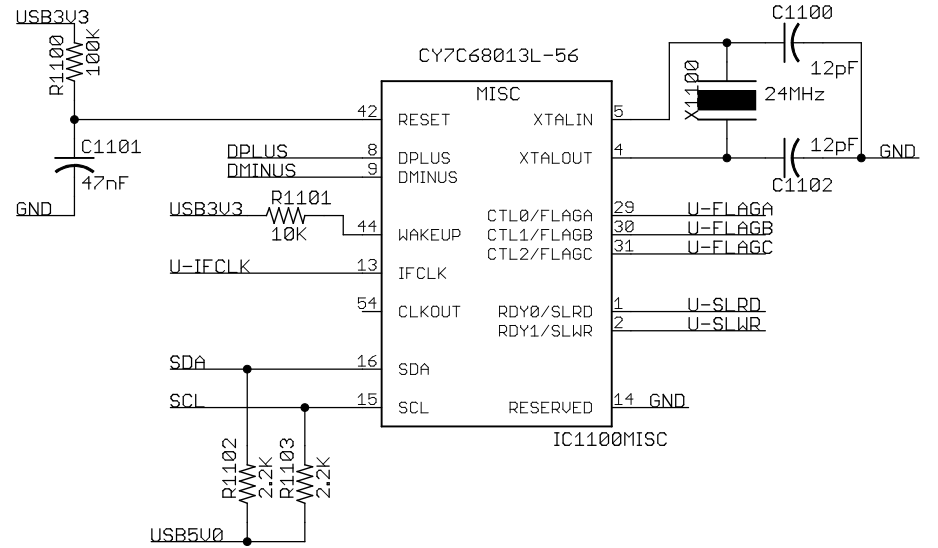
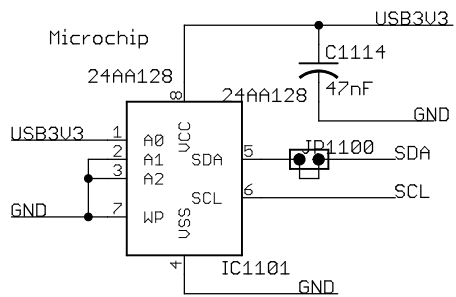
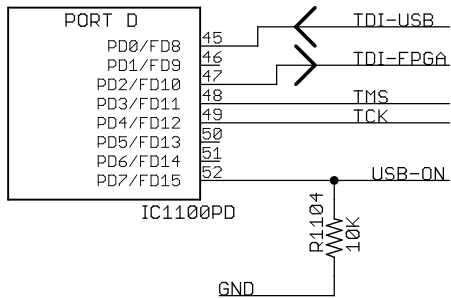
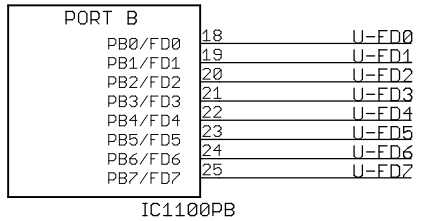
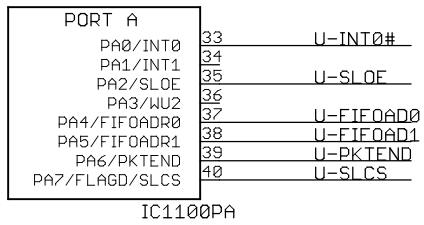




Digilent Dexter Board		Engineer: MD
Copyright 2008 Digilent Inc.		Author: CLG
SHEET: FPGA Bank 0 and Bank 3		Rev: B
TITLE: Dexter		Doc#: 500-151
Date: 11/05/2008	Sheet: 9/17	



Digilent Dexter Board		Engineer: MD
Copyright 2008 Digilent Inc.		Author: CLG
SHEET: FPGA Power Supply		Rev: B
TITLE: Dexter		Doc#: 500-151
Date: 11/05/2008	Sheet: 10/17	



### Digilent Dexter Board

Copyright 2008 Digilent Inc.

Engineer: MD

SHEET: USB Controller

Author: CLG

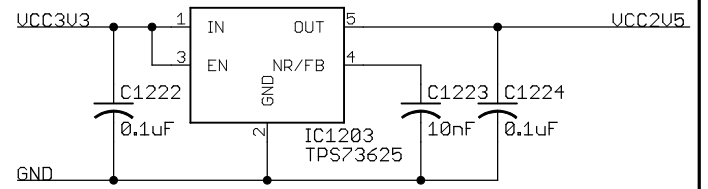
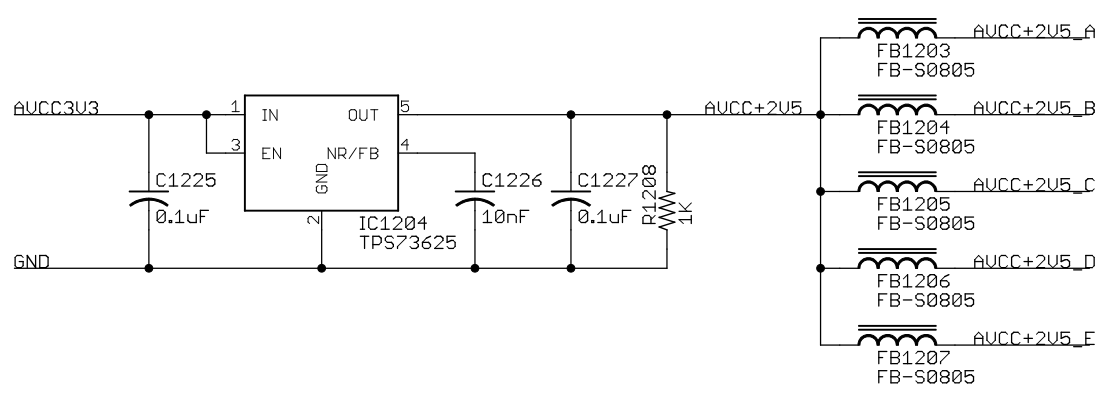
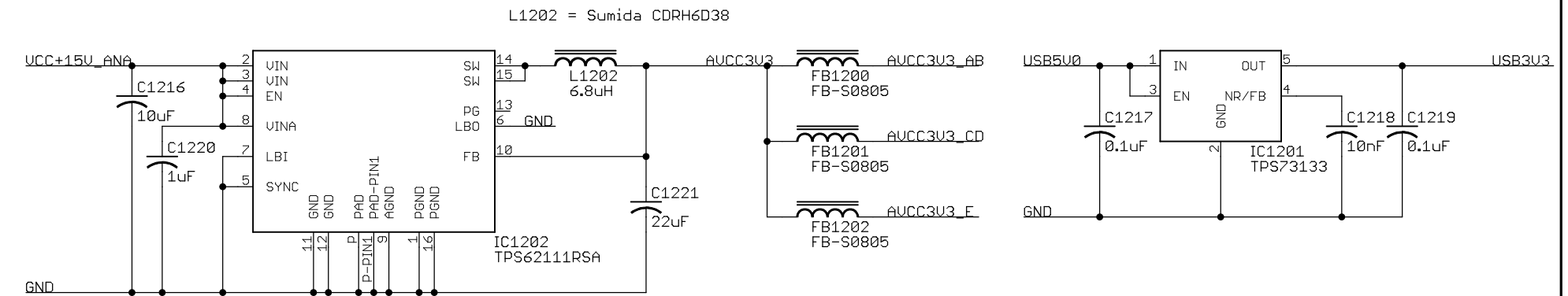
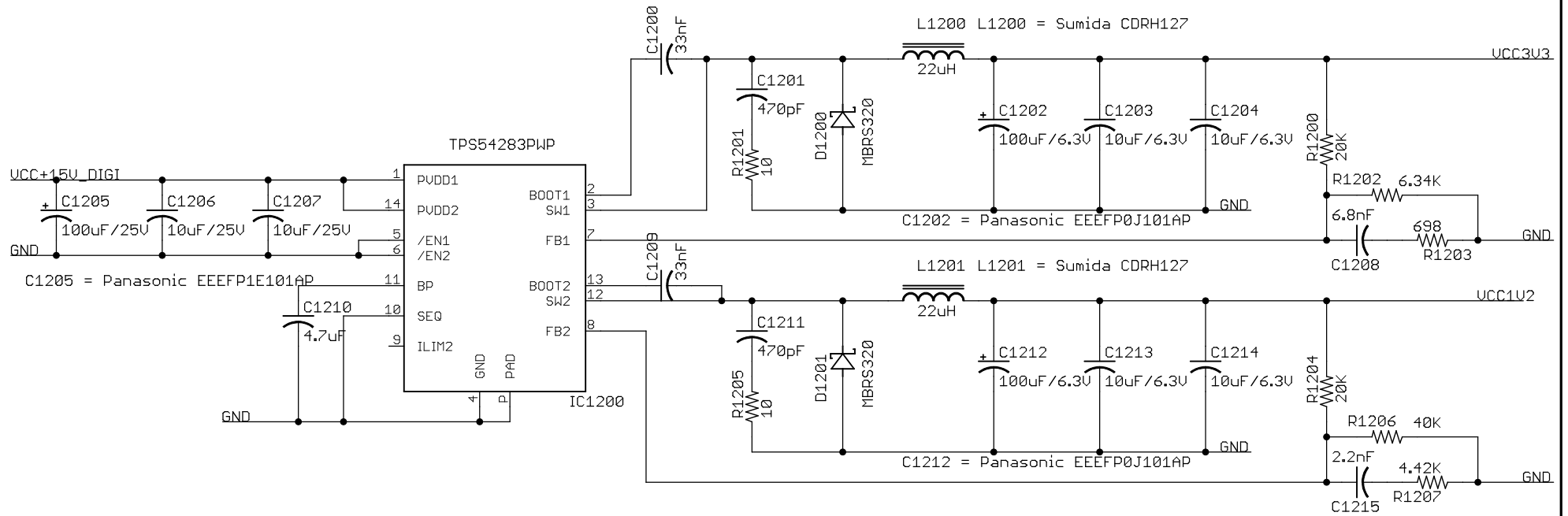
TITLE: Dexter

Rev: B

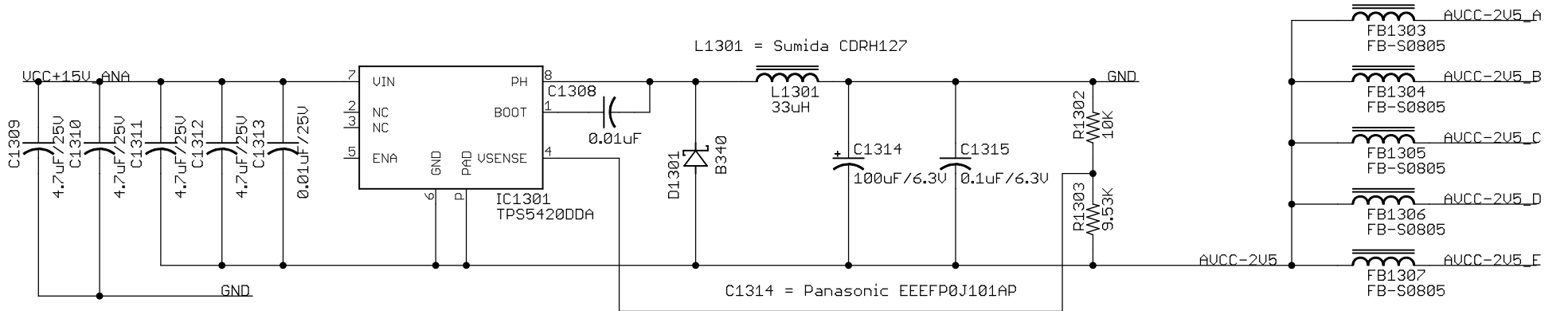
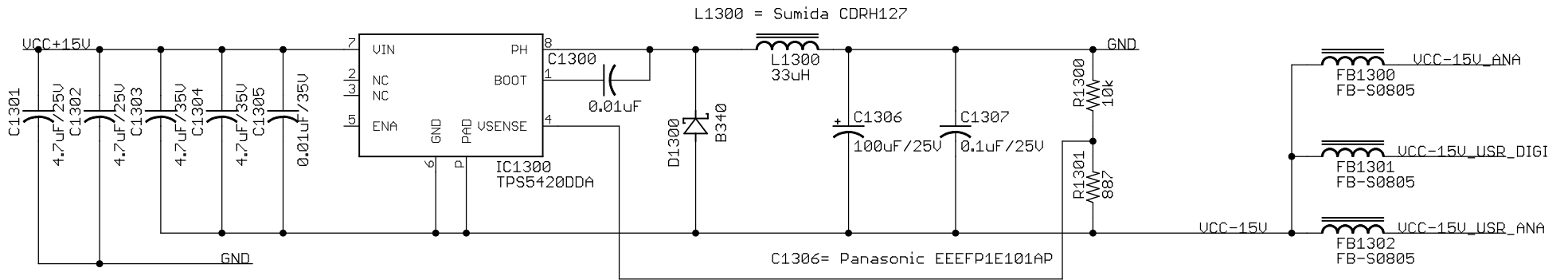
Doc#: 500-151

Date: 11/05/2008

Sheet: 11/17



<b>Digilent Dexter Board</b>		Engineer: MD
Copyright 2008 Digilent Inc.		Author: CLG
SHEET: Regulators - Positive Internal Supplies		Rev: B
TITLE: Dexter		Doc#: 500-151
Date: 11/05/2008		Sheet: 12/17



Digilent Dexter Board

Copyright 2008 Digilent Inc.

Engineer: MD

SHEET: Regulators - Negative Internal Supplies

Author: CLG

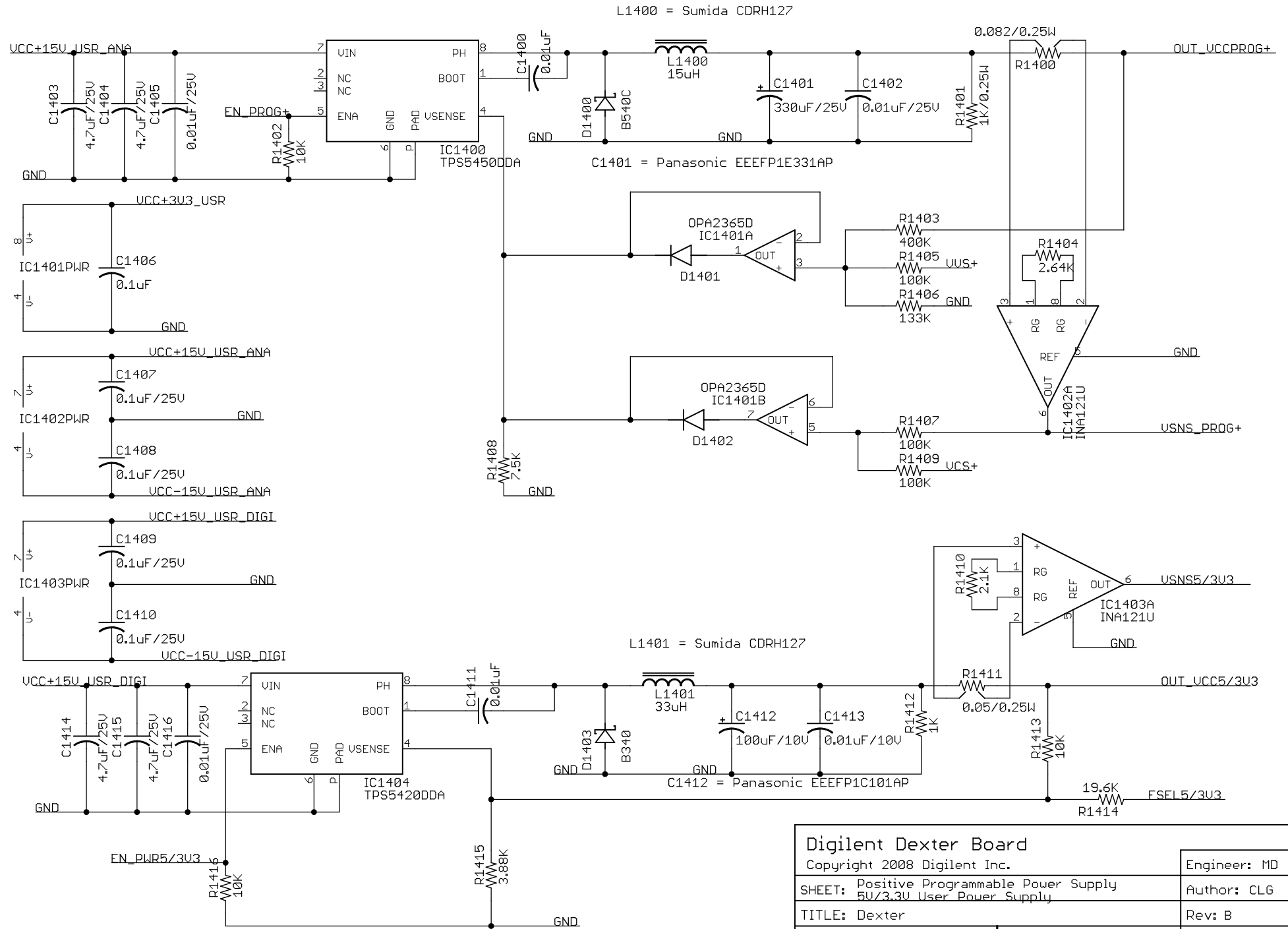
TITLE: Dexter

Rev: B

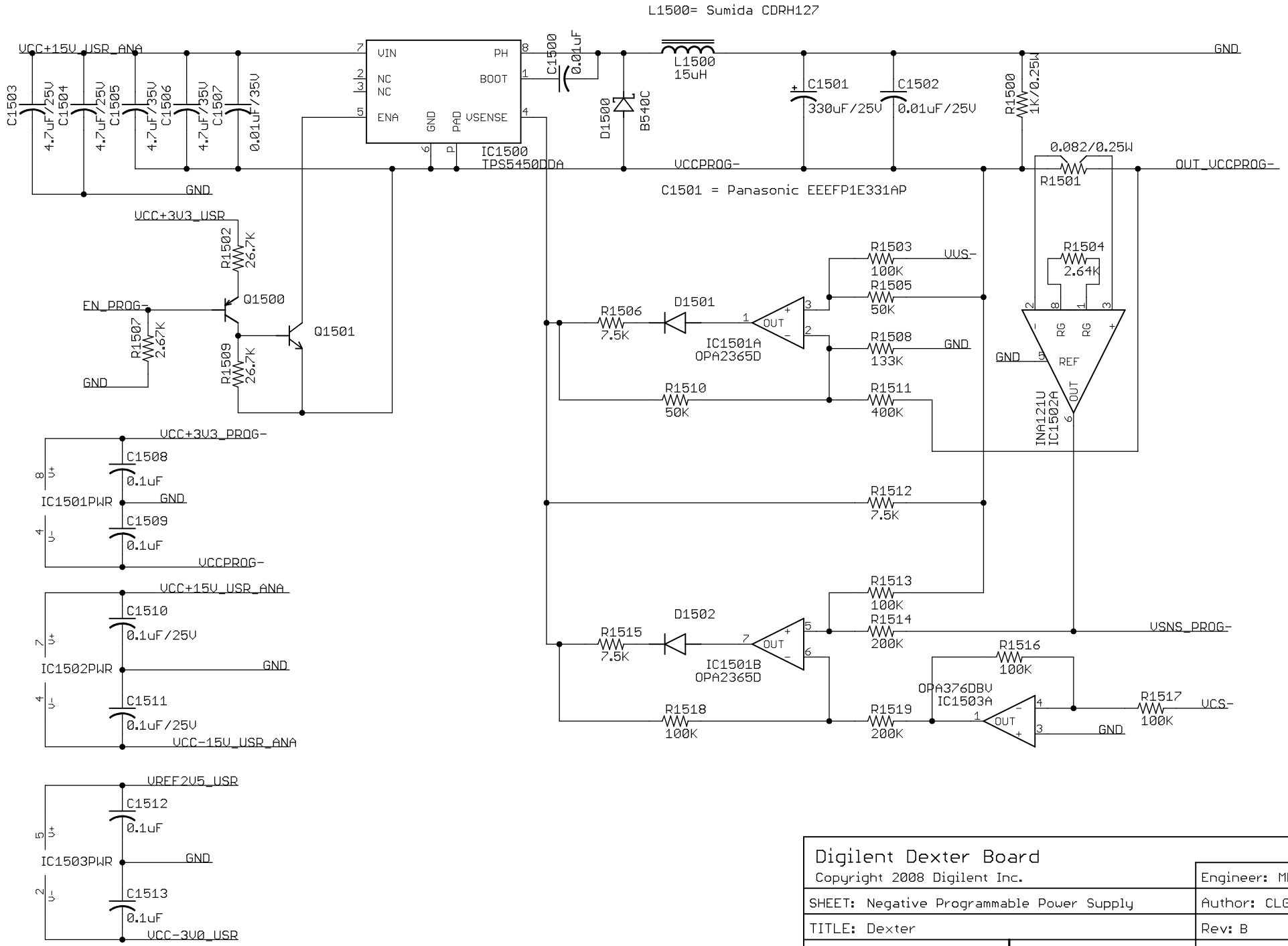
Doc#: 500-151

Date: 11/05/2008

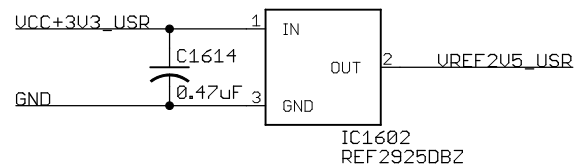
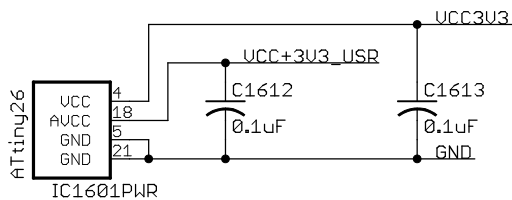
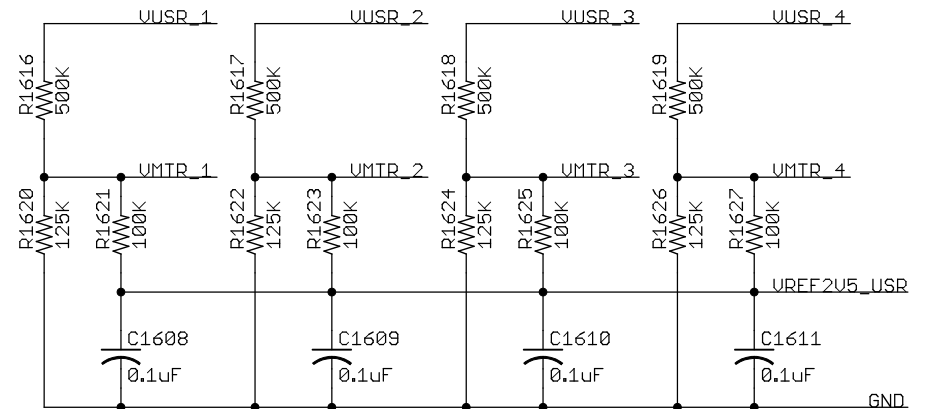
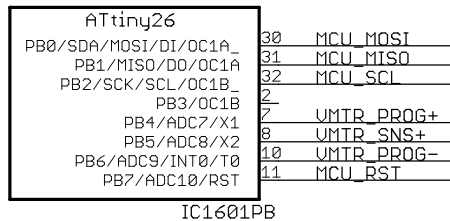
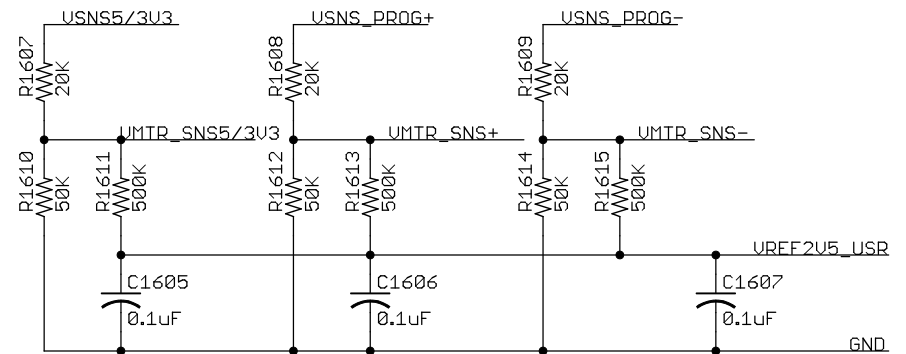
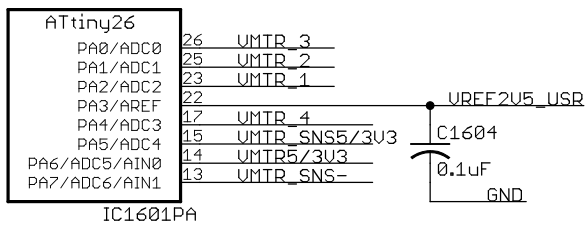
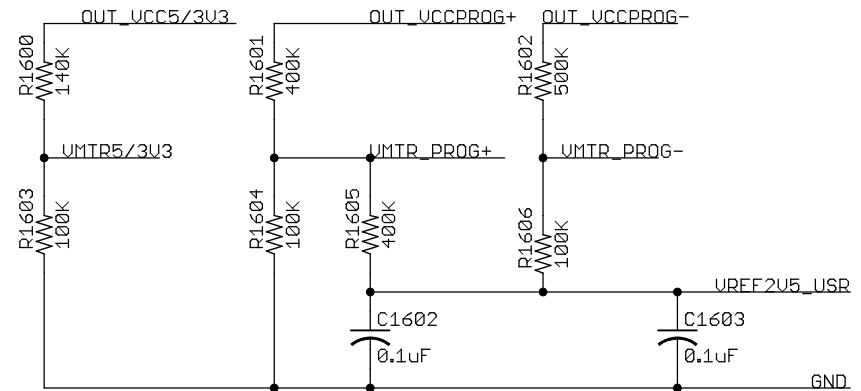
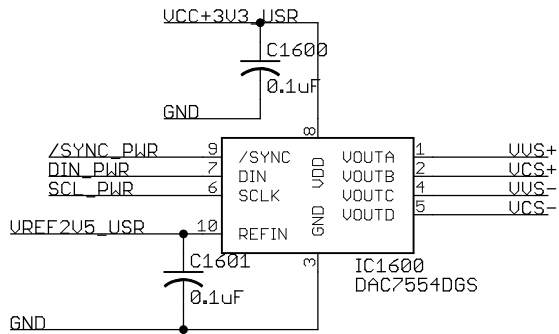
Sheet: 13/17



Digilent Dexter Board		Engineer: MD
Copyright 2008 Digilent Inc.		Author: CLG
SHEET: Positive Programmable Power Supply 5U/3.3V User Power Supply		Rev: B
TITLE: Dexter		Date: 11/05/2008
Doc#: 500-151	Date: 11/05/2008	Sheet: 14/17



Digilent Dexter Board		Engineer: MD
Copyright 2008 Digilent Inc.		Author: CLG
SHEET: Negative Programmable Power Supply		Rev: B
TITLE: Dexter		Doc#: 500-151
Date: 11/05/2008	Sheet: 15/17	



### Digilent Dexter Board

Copyright 2008 Digilent Inc.

SHEET: AD and DA converters for User Power Supplies

TITLE: Dexter

Doc#: 500-151

Engineer: MD

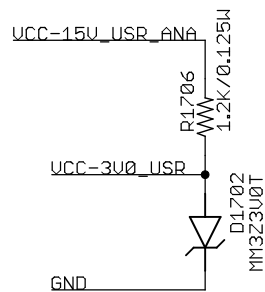
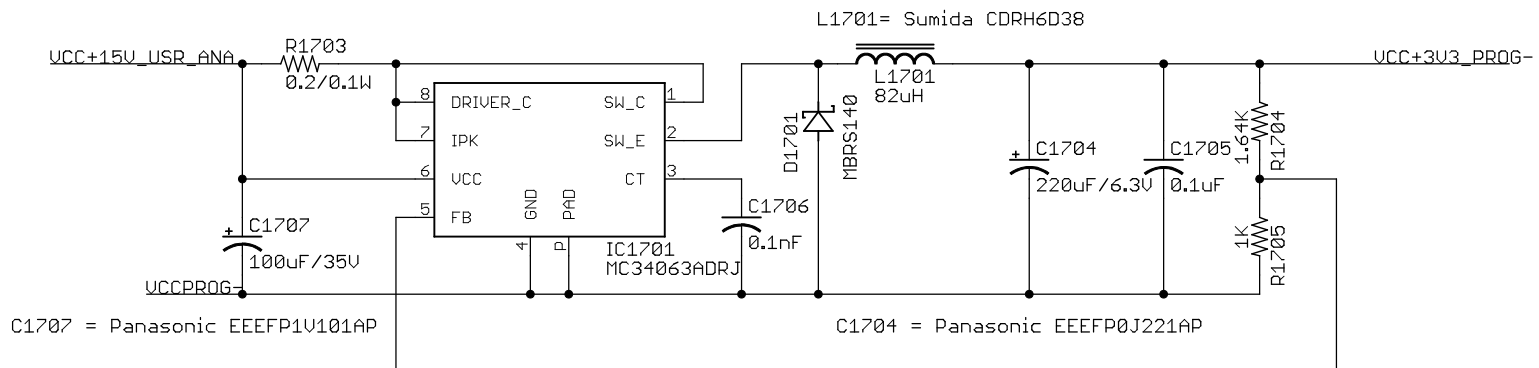
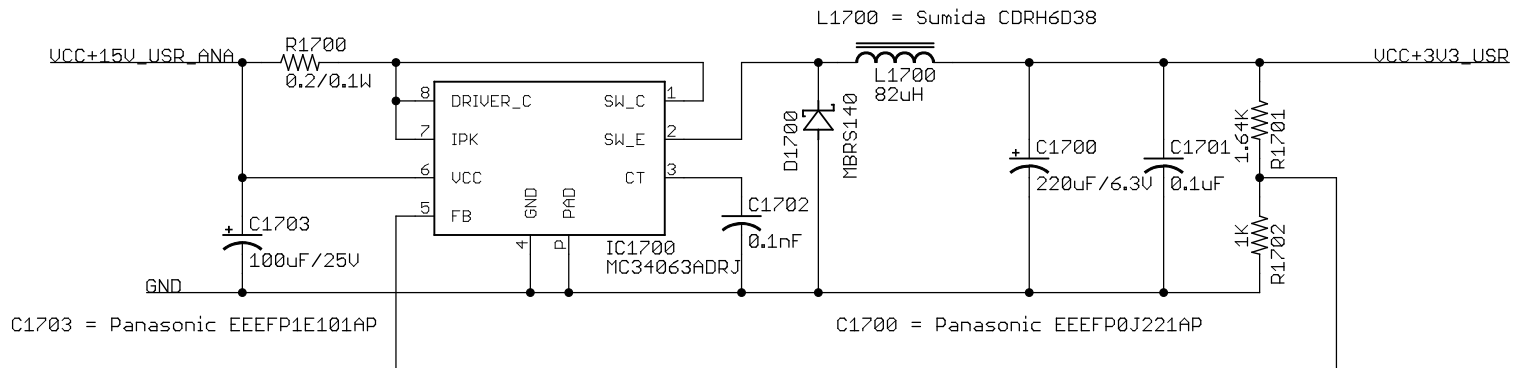
Author: CLG

Rev: B

Date: 11/05/2008

Sheet: 16/17





### Digilent Dexter Board

Copyright 2008 Digilent Inc.

Engineer: MD

SHEET: Regulators - Internal Supplies

Author: CLG

TITLE: Dexter

Rev: B

Doc#: 500-151

Date: 11/05/2008

Sheet: 17/17