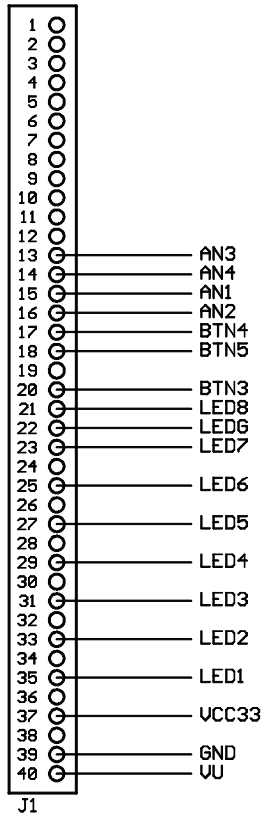
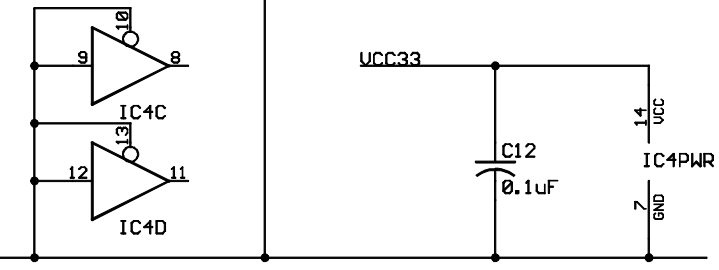
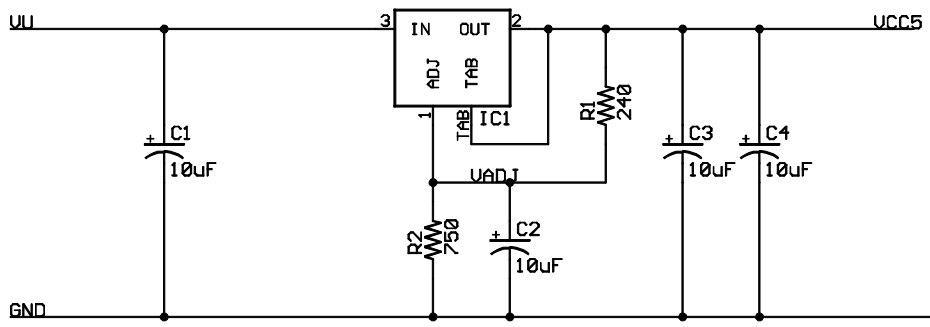
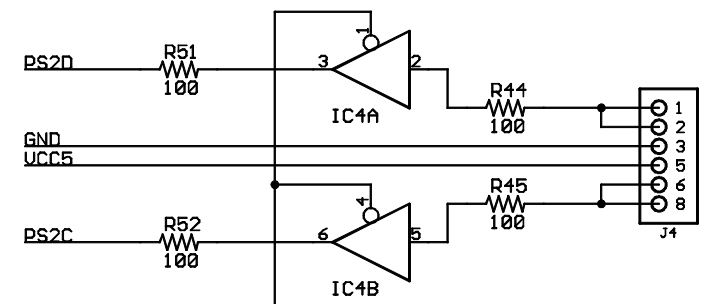
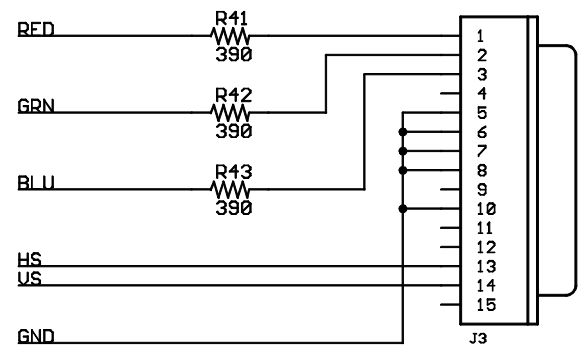
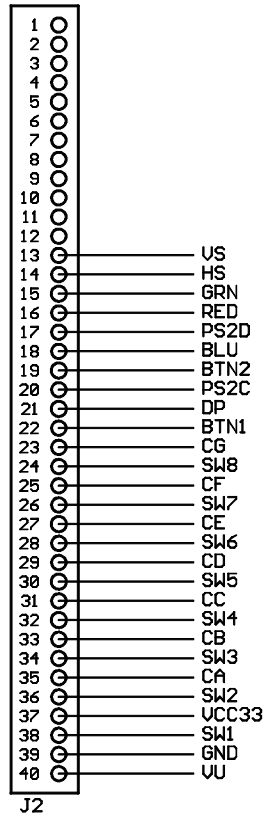


Connector P1

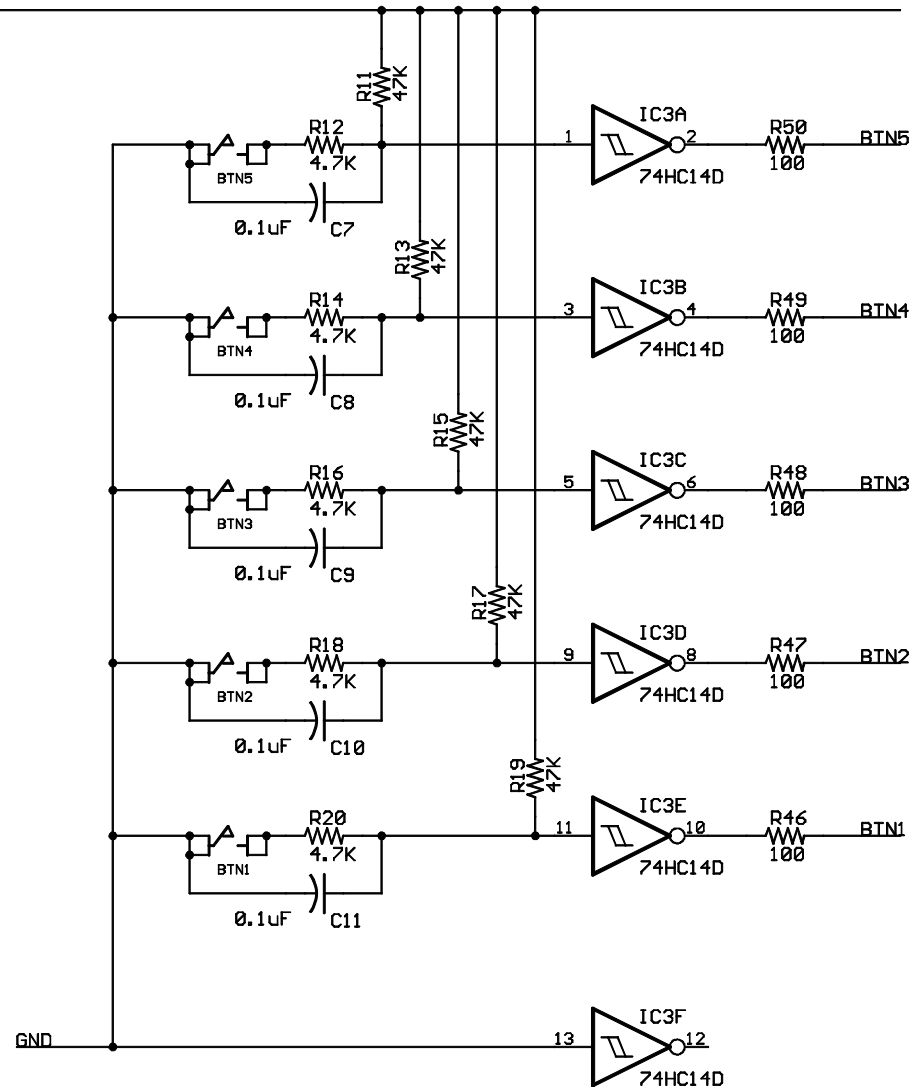
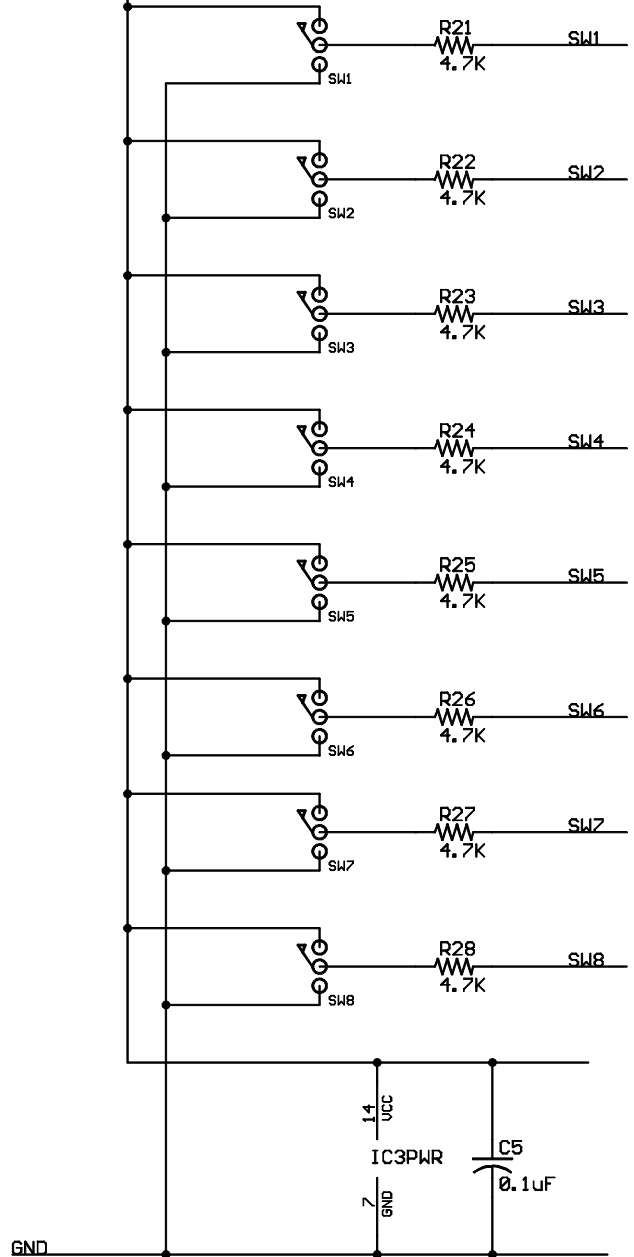


Connector P2



Digilab Digital I/O 4	
Copyright 2002, 2003, Digilent Inc.	
TITLE: DlabDio4	Author: NEA
Document Number: 500-027	Rev: B
Release Date: 05/02/2003	Sheet:1/3

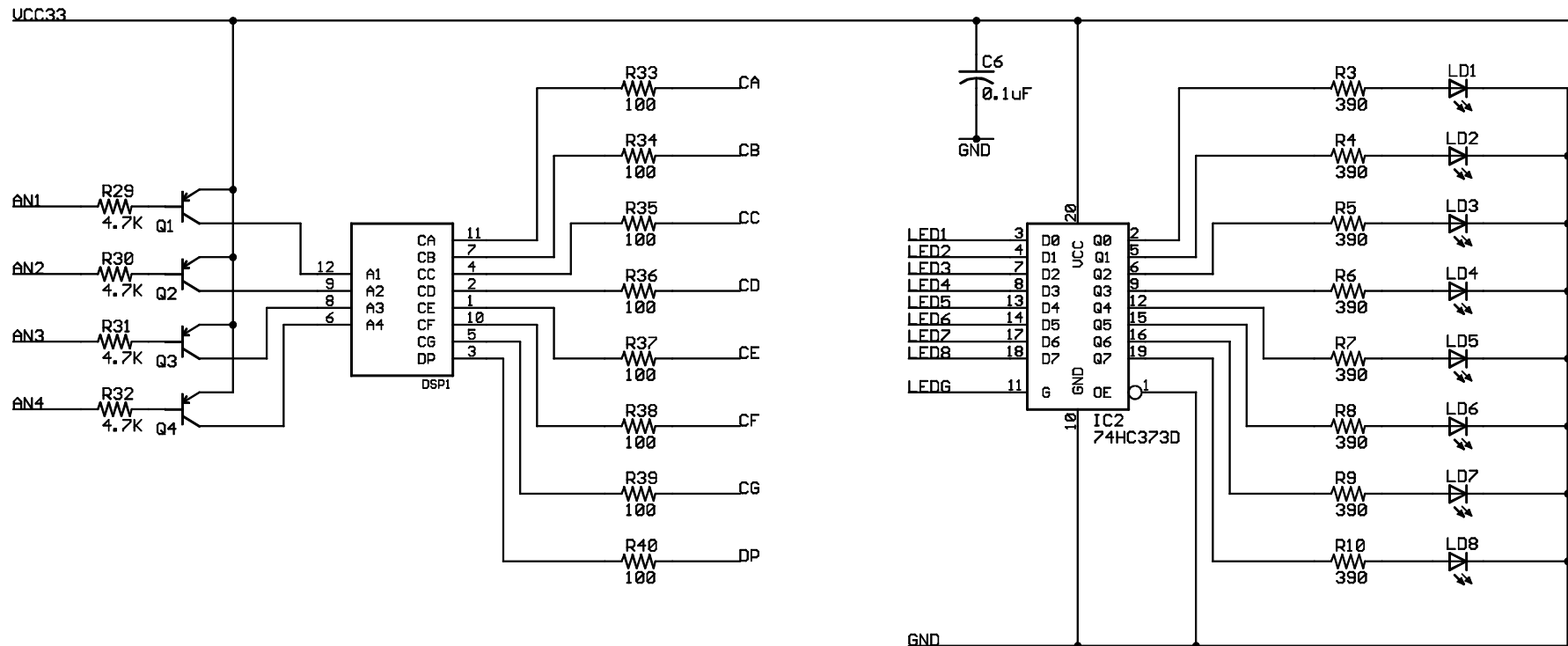
UCC33



Digilab Digital I/O 4

Copyright 2002, 2003, Digilent Inc.

TITLE: DlabDio4	Author: NEA
Document Number: 500-027	Rev: B
Release Date: 05/02/2003	Sheet: 2/3



Digilab Digital I/O 4

Copyright 2002, 2003, Digilent Inc.

TITLE: DlabDio4	Author: NEA
Document Number: 500-027	Rev: B
Release Date: 05/02/2003	Sheet: 3/3