

# Digilab Digital I/O 1 Peripheral Board

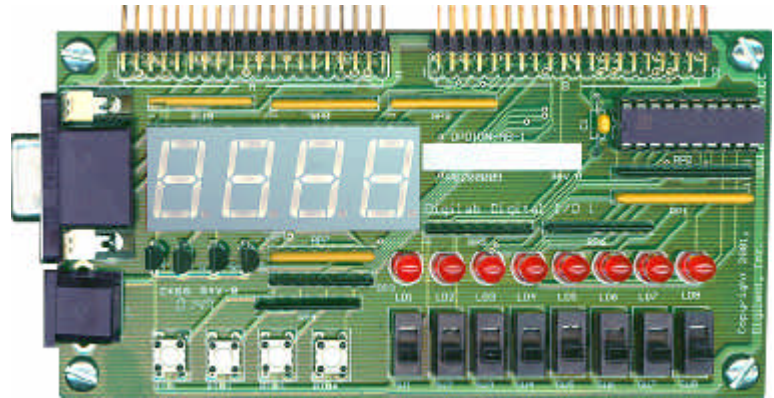


The Digilab Digital I/O Board 1 (DIO1) provides a ready-made source for I/O devices and ports commonly used in digital systems. The DIO1 board can be used with any Digilab system board to create a platform that can host a wide range of projects. Many projects can be implemented immediately without the need for any other components; if further custom circuits are needed, a Digilab breadboard or wirewrap board can be inserted between a system board and DIO1 board. All devices on the DIO1 board are driven directly from an attached system board, keeping system designs as simple as possible.

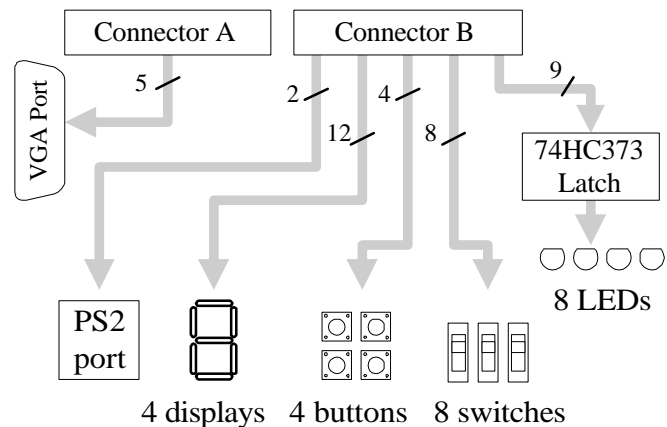
DIO1 board features include:

- A 4 digit, seven-segment LED display;
- 8 individual LEDs;
- 4 momentary pushbuttons;
- 8 slide switches;
- 3-bit VGA port;
- PS2 mouse/keyboard port.

For more information, please see the Digilab DIO1 reference documents available at our website.



**Digilab DIO1 Peripheral Board**



**DIO1 Block Diagram**