

# Specifications

**SSR-ODC-05B**



**MEASUREMENT  
COMPUTING™**

Document Revision 1.1, December, 2006  
© Copyright 2006, Measurement Computing Corporation

---

# Specifications

Typical for 25 °C unless otherwise specified.

## General Characteristics

Table 1. General characteristics

Parameter	Conditions	Specification
Type		SPST normally open
Isolation voltage		4000 Vrms
Typical power dissipation		1 W/A

## Output

Table 2. Load and line specifications

Parameter	Conditions	Specification
Maximum line voltage		60 VDC
Load voltage range		3 to 60 VDC
Clamping voltage		80 VDC
Maximum off-state leakage	Maximum line voltage	0.01 mA
Load current range		0.02 to 3.5 A
Maximum surge current	One second	5 A
Maximum turn-on time		75 μs
Maximum turn-off time		500 μs

## Input

Table 3. Input and logic circuit specifications

Parameter	Conditions	Specification
Nominal logic voltage	DC control	5 VDC
Logic voltage range		2.5 to 10 VDC
Maximum logic supply current	Logic voltage = nominal	14 mA
Nominal input resistance (Rx)		300 Ohms
Minimum drop out voltage		1 VDC
Maximum reverse logic voltage		-5 VDC

## Environmental

Table 4. Environmental specifications

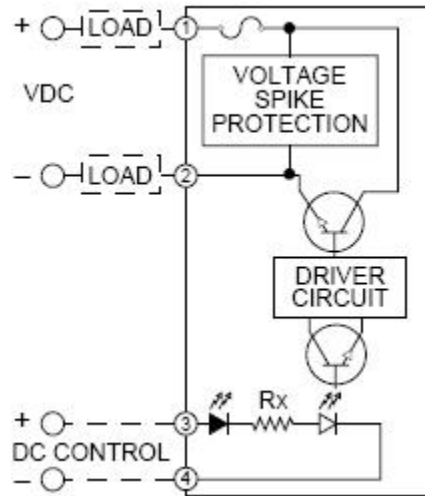
Operating temperature range	-40 to 100 °C
Storage temperature range	-40 to 125 °C
Mechanical shock	MIL-STD-202
Vibration	MIL-STD-202

## Mechanical

Table 5. Mechanical specifications

Dimensions	1.7" (43.2 mm) L x 0.6" (15.2 mm) W x 1.25" (31.8 mm) H
------------	---

## Block diagram and pin out



**Measurement Computing Corporation**  
**10 Commerce Way**  
**Suite 1008**  
**Norton, Massachusetts 02766**  
**(508) 946-5100**  
**Fax: (508) 946-9500**  
**E-mail: [info@mccdaq.com](mailto:info@mccdaq.com)**  
**[www.mccdaq.com](http://www.mccdaq.com)**