

Specifications

SSR-OAC5A5



**MEASUREMENT
COMPUTING™**

Document Revision 1.1, December, 2006
© Copyright 2006, Measurement Computing Corporation

Specifications

Typical for 25 °C unless otherwise specified.

General characteristics

Table 1. General characteristics

Parameter	Conditions	Specification
Type		SPST normally closed, random turn-on
Isolation voltage		4000 Vrms

Output

Table 2. Load and line specifications

Parameter	Conditions	Specification
Nominal line voltage		240 VAC
Load voltage range		24 to 280 VAC
Minimum peak blocking voltage		600 V
Maximum off-state leakage	60 Hz	4 mA rms
Load current range		0.03 to 3.5 A rms
Maximum surge current	One cycle	80 A rms
Maximum surge current	10 cycles (cannot be repeated until module temperature returns to steady state value)	40 A rms
Maximum turn-on time	60 Hz	200 μ S
Maximum turn-off time	60 Hz	8.33 mS
Static dv/dt		3000 V/ μ s

Input

Table 3. Input and logic circuit specifications

Parameter	Conditions	Specification
Nominal logic voltage	DC control	5 VDC
Logic voltage range		2.5 to 10 VDC
Maximum logic supply current	Logic voltage = nominal	16 mA
Nominal input resistance (Rx)		240 Ohms
Minimum drop out voltage		1 VDC
Maximum reverse logic voltage		-5 VDC

Environmental

Table 4. Environmental specifications

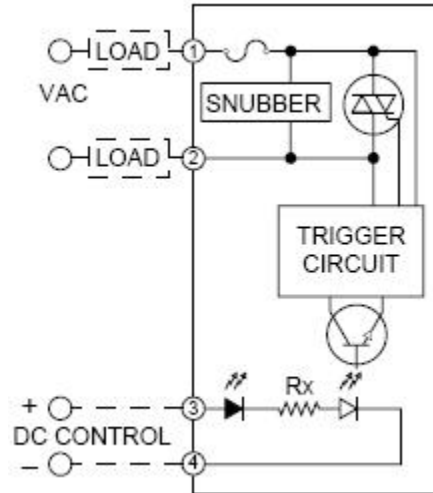
Operating temperature range	-40 to 100 °C
Storage temperature range	-40 to 125 °C
Mechanical shock	MIL-STD-202
Vibration	MIL-STD-202

Mechanical

Table 5. Mechanical specifications

Dimensions	1.7" (43.2 mm) L x 0.6" (15.2 mm) W x 1.25" (31.8 mm) H
------------	---

Block diagram and pin out



Measurement Computing Corporation
10 Commerce Way
Suite 1008
Norton, Massachusetts 02766
(508) 946-5100
Fax: (508) 946-9500
E-mail: info@mccdaq.com
www.mccdaq.com