

Specifications

SSR-OAC-05



**MEASUREMENT
COMPUTING™**

Document Revision 1.1, December, 2006
© Copyright 2006, Measurement Computing Corporation

Specifications

Typical for 25 °C unless otherwise specified.

General characteristics

Table 1. General characteristics

Parameter	Conditions	Specification
Type		SPST normally open, zero voltage turn-on (ZVT)
Isolation voltage		4000 Vrms
Typical power dissipation		1 W/A

Output

Table 2. Load and line specifications

Parameter	Conditions	Specification
Nominal line voltage		120 VAC
Load voltage range		24 to 140 VAC
Minimum peak blocking voltage		400 V
Maximum off-state leakage	60 Hz	2 mA rms
Load current range		0.03 to 3.5 A rms
Maximum surge current	One cycle	80 A rms
Maximum surge current	10 cycles (cannot be repeated until module temperature returns to steady state value)	40 A rms
Maximum turn-on time	60 Hz	8.33 mS
Maximum turn-off time	60 Hz	8.33 mS
Static dv/dt		3000 V/ μ s

Input

Table 3. Input and logic circuit specifications

Parameter	Conditions	Specification
Nominal logic voltage	DC control	5 VDC
Logic voltage range		2.5 to 10 VDC
Maximum logic supply current	Logic voltage = nominal	16 mA
Nominal input resistance (Rx)		240 Ohms
Minimum drop out voltage		1 VDC
Maximum reverse logic voltage		-5 VDC

Environmental

Table 4. Environmental specifications

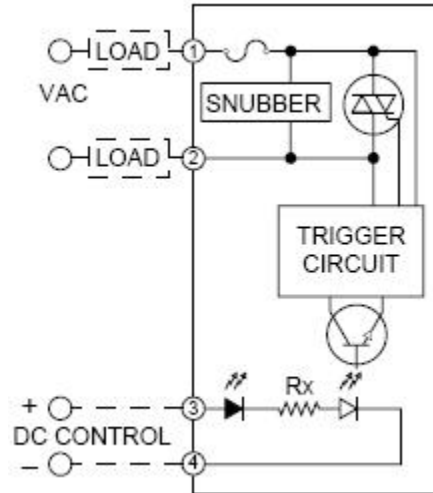
Operating temperature range	-40 to 100 °C
Storage temperature range	-40 to 125 °C
Mechanical shock	MIL-STD-202
Vibration	MIL-STD-202

Mechanical

Table 5. Mechanical specifications

Dimensions	1.7" (43.2 mm) L x 0.6" (15.2 mm) W x 1.25" (31.8 mm) H
------------	---

Block diagram and pin out



Measurement Computing Corporation
10 Commerce Way
Suite 1008
Norton, Massachusetts 02766
(508) 946-5100
Fax: (508) 946-9500
E-mail: info@mccdag.com
www.mccdag.com