

Specifications

SSR-4-R05Q



**MEASUREMENT
COMPUTING™**

Document Revision 1.1, December, 2006
© Copyright 2006, Measurement Computing Corporation

Specifications

Typical for 25 °C unless otherwise specified.

General characteristics

Table 1. General characteristics

Parameter	Conditions	Specification
Type		Quad DC relay output for resistive loads, contacts normally open, outputs not polarized
Isolation voltage		4000 Vrms
Capacitance input to output		8 pF

Output

Table 2. Load and line specifications

Parameter	Conditions	Specification
Maximum line voltage		110 VDC / 125 VAC
Line voltage range		0 to 110 VDC, 0 to 125 VAC
Maximum off-state leakage		-
On-state current		1 A, 30 W DC, 62.5 VA (resistive load)
Maximum surge current	One second	2.5 A (resistive load)
Peak on-state voltage		0.25 V
Maximum turn-on time		2 ms (20 cpm)
Maximum turn-off time		1 ms (20 cpm)

Input

Table 3. Input and logic circuit specifications

Parameter	Conditions	Specification
Nominal input voltage	Vcc	5 VDC
Input voltage range	Vcc	4 to 6 VDC
Minimum drop out voltage		1 VDC
Maximum input current		15 mA
Typical input current		10 mA
Nominal input resistance		240 Ohms

Environmental

Table 4. Environmental specifications

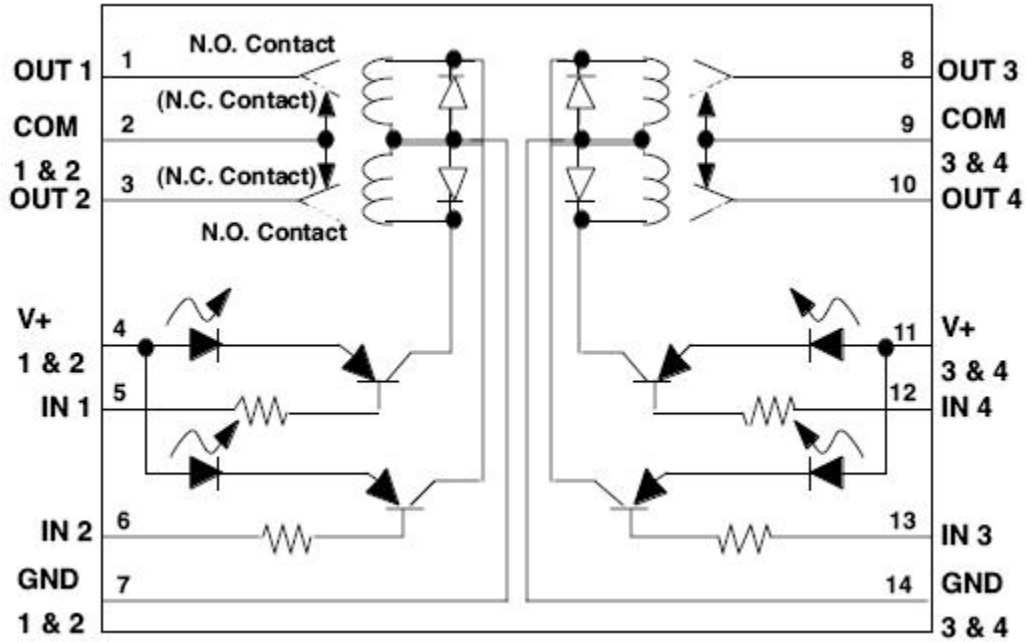
Operating temperature range	-30 to 80 °C
Storage temperature range	-40 to 100 °C

Mechanical

Table 5. Mechanical specifications

Dimensions	1.7" (43.2 mm) L x 0.6" (15.2 mm) W x 1.25" (31.8 mm) H
------------	---

Block diagram and pin out



Measurement Computing Corporation
10 Commerce Way
Suite 1008
Norton, Massachusetts 02766
(508) 946-5100
Fax: (508) 946-9500
E-mail: info@mccdaq.com
www.mccdaq.com