

Specifications

SSR-4-IAC-05A



**MEASUREMENT
COMPUTING™**

Document Revision 1.1, December, 2006
© Copyright 2006, Measurement Computing Corporation

Specifications

Typical for 25 °C unless otherwise specified.

General characteristics

Table 1. General Characteristics

Parameter	Conditions	Specification
Type		Quad AC input
Isolation voltage		4000 Vrms
Capacitance input to output		8 pF
Line frequency range		47 to 63 Hz

Input

Table 2. Input specifications

Parameter	Conditions	Specification
Nominal input voltage		240 Vrms / VDC
Input voltage range		180 to 280 Vrms / VDC
Input current	Input voltage = nominal	8 mA rms
Drop out current		1.5 mA rms
Allowable off-state current		2 mA rms
Allowable off-state voltage		120 Vrms / VDC

Output

Table 3. Output and logic circuit specifications

Parameter	Conditions	Specification
Nominal logic supply voltage	Vcc	5 VDC
Logic voltage range	Vcc	4.5 to 6 VDC
Typical logic supply current	Logic voltage = nominal	10 mA
Maximum logic supply current	Logic voltage = maximum	14.5 mA
Maximum logic supply leakage current	Logic voltage = maximum	20 μ A
Maximum output voltage		30 VDC
Maximum output current		50 mA
Maximum output leakage current	Logic voltage = maximum	20 μ A
Maximum output voltage drop	Maximum output current	200 mV
Maximum turn-on time	AC	20 mS
Maximum turn-off time	AC	30 mS
Maximum turn-on time	DC	1 mS
Maximum turn-off time	DC	1 mS

Environmental

Table 4. Environmental specifications

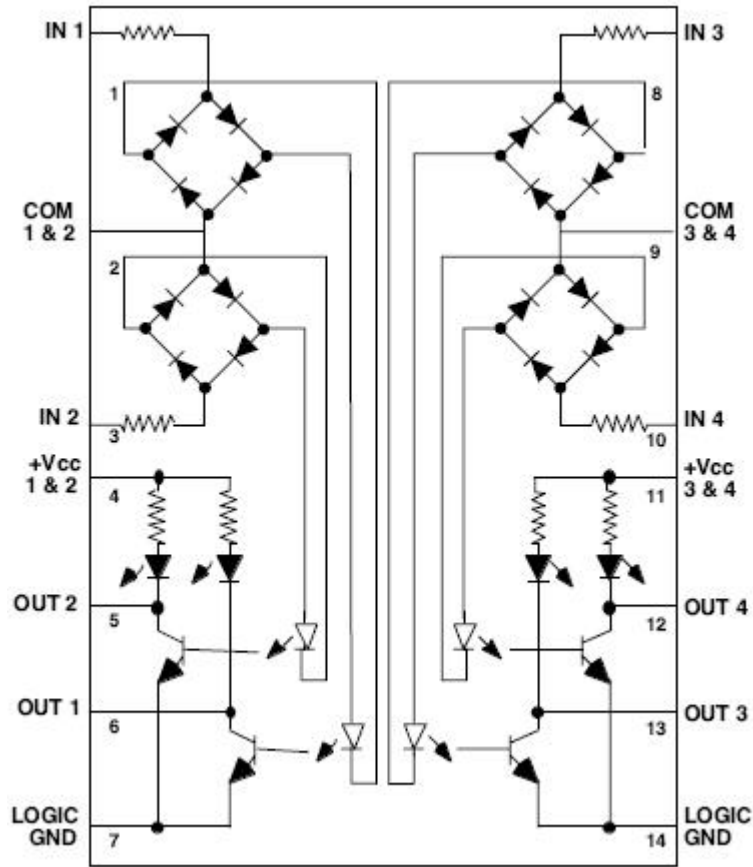
Operating temperature range	-30 to 80 °C
Storage temperature range	-40 to 100 °C

Mechanical

Table 5. Mechanical specifications

Dimensions	1.88" (47.7 mm) L x 1.06" (26.9 mm) W x 3.08" (78.2 mm) H
------------	---

Block diagram and pin out



Measurement Computing Corporation
10 Commerce Way
Suite 1008
Norton, Massachusetts 02766
(508) 946-5100
Fax: (508) 946-9500
E-mail: info@mccdag.com
www.mccdag.com