

Features

- Provides access to 16 analog inputs via BNC connectors
- Features per-channel 100 kOhm bias resistors for differential inputs

The DBK1 provides a convenient means of attaching analog signals from BNC cables to IOtech's data acquisition systems. Its 16 BNC connectors accommodate 16 single-ended inputs or 8 differential analog inputs. Each differential input is equipped with a switchable 100 kOhm bias resistor referenced to analog common. The unit also provides a ground reference via an external ground connection. The DBK1 features a male DB37 connector that mates with the P1 analog I/O connector.

Signal Termination. Since the DBK1 is a passive universal interface, it also provides a convenient method of connecting analog signals to other I/O devices. The unit's 16 easy-to-access BNC connectors can be configured as differential or single-ended.

Specifications

Connector: DB37 male, mates with P1*; BNC connectors for signal inputs

Analog Input Connection: One BNC connector for each of 16 analog input channels

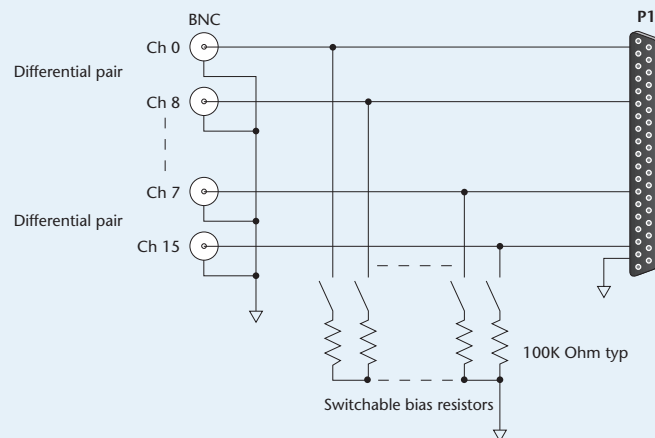
Dimensions: 285 mm W x 221 mm D x 35 mm H (11" x 8.5" x 1.375")

Weight: 1.3 kg (3 lbs)



The DBK1 provides 16 channels of analog input via BNC connectors

DBK1 BNC Interface Module Block Diagram



Ordering Information

Description
16-connector BNC interface

Part No.
DBK1

Accessories & Cables

Rack mount kit
Molded T expansion cable; 2 in.
Molded T expansion cable; 4 in.
Ribbon cable, where x is the number of DBK devices attached

RackDBK2
CA-255-2T
CA-255-4T
CA-37-x

Note: The CA-37-x ribbon cable can also be used in lieu of the CA-255-x molded T cables.

Product Compatibility

- ✓ LogBook
- ✓ DaqBook
- ✓ DaqLab
- ✓ DaqScan
- ✓ DaqBoard/2000 Series

* Attachment to the DaqBoard/2000 Series requires a DBK200, DBK202, DBK203A, DBK209, DBK213, or DBK214