

WBK61 & WBK62

High-Voltage Adapters with Probes

Features

- Provide up to 1000V (WBK61) or 100V (WBK62) inputs for the WaveBook and WBK10A
- Ideal for 3-phase voltage measurements
- Includes leads and probes
- Accept differential inputs

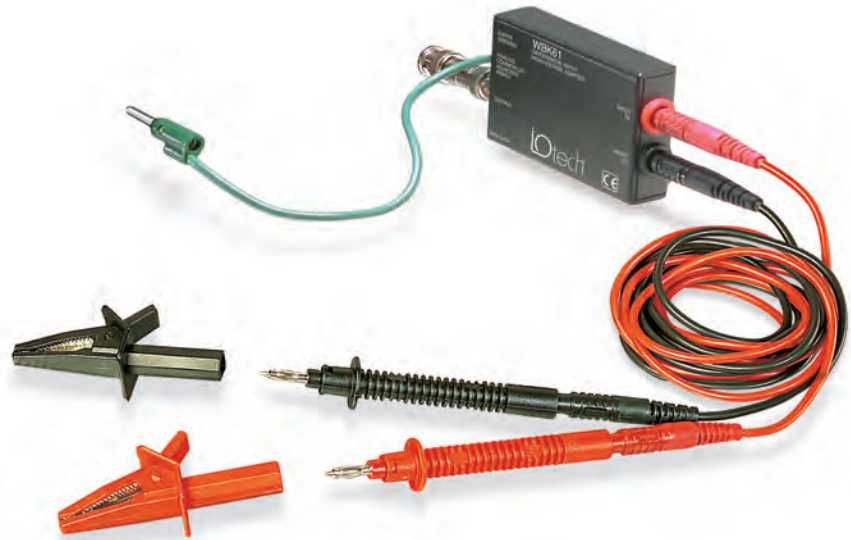
The WBK61 and the WBK62 are single-channel high-voltage adapters that connect to one of the WaveBook's or WBK10A's BNC inputs. Each features two safety-style banana-jack inputs for signal "Lo" and signal "Hi" (rated at 1000V, CAT II per IEC 1010-2-031).

Each adapter is resistively isolated from ground allowing safe connection of a device under test. In the WBK61, both Lo and Hi inputs are equipped with 10M Ohm series resistors, which act as 200:1 attenuators and provide current limiting (100 μ A, maximum current at 1000V). The WBK62 has a 1M Ohm series resistor on both Lo and Hi inputs, which acts as a 20:1 attenuator and provides current limiting (100 μ A, maximum current at 100V).

Each adapter also features a banana-jack input for connecting the WaveBook or WBK10A to earth ground.

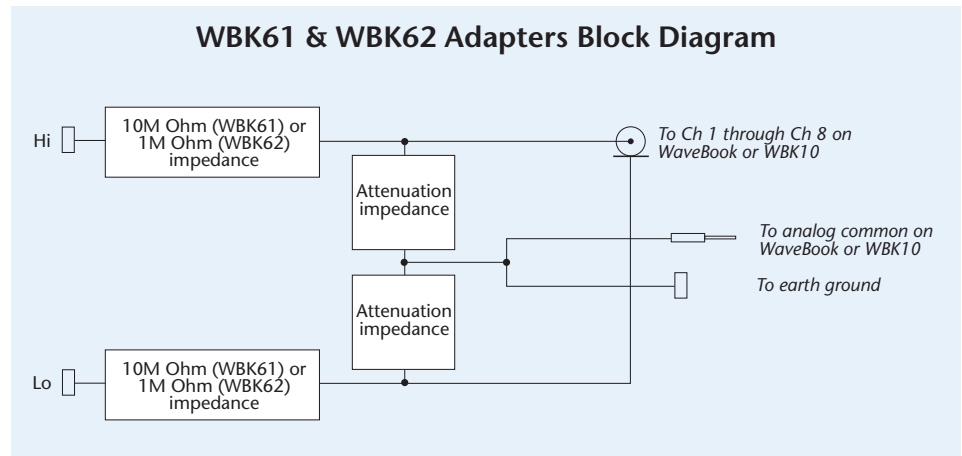
The product includes 60" (152.4 cm) cables with probe tips and alligator clips for easy input connection.

For applications that require current measurement, IOtech also offers current probes that connect directly to the WaveBook or WBK10A. These probes feature ranges from 1 mA to 2000A.



The WBK61 and the WBK62 high-voltage adapters connect to the WaveBook's or WBK10A's BNC inputs

WBK61 & WBK62 Adapters Block Diagram



The WBK61 and WBK62 attach directly to either the WaveBook or the WBK10A

WBK61 & WBK62

Specifications & Ordering Information



Effective Ranges of WBK61		
Range	WaveBook	WBK10A
Bipolar	$\pm 2000V, \pm 1000V, \pm 400V, \pm 200V, \pm 100V^*, \pm 40V^*, \pm 20V^*$	$\pm 2000V, \pm 1000V, \pm 400V, \pm 200V, \pm 100V^*, \pm 40V^*, \pm 20V^*, \pm 10V^*$
Unipolar	Not available	0 to 2000V, 0 to 1000V, 0 to 400V, 0 to 200V 0 to 100V*, 0 to 40V*, 0 to 20V*
Effective Ranges of WBK62		
Bipolar	$\pm 200V, \pm 100V, \pm 40V, \pm 20V, \pm 10V^*, \pm 4V^*, \pm 2V^*$	$\pm 200V, \pm 100V, \pm 40V, \pm 20V, \pm 10V^*, \pm 4V^*, \pm 2V^*, \pm 1V^*$
Unipolar	Not available	0 to 200V, 0 to 100V, 0 to 40V, 0 to 20V 0 to 10V*, 0 to 4V*, 0 to 2V*

* Available through the WBK11A, WBK12A, or WBK13A options

Note: Ranges are half those stated when used with a non-"A" version parallel port WaveBook.

Specifications

Input Connector: 4 mm banana safety socket

Channels: 1

Output Connector: BNC female (mating adapter to WaveBook included)

Voltage Divider:

WBK61: 200:1 fixed

WBK62: 20:1 fixed

Maximum Voltage Between Probes:

WBK61: 2000V peak

WBK62: 200V peak

Maximum Voltage Either Probe to Ground:

WBK61: 1500V peak

WBK62: 500V peak

Frequency Characteristics

Approximates a single-pole frequency response

Min: -3 dBV

Bandwidth: 500 kHz

Cables: 60" leads with detachable probe tips and alligator clips

Dimensions: 83 mm W x 61 mm D x 28 mm H
(3.25" x 2.375" x 1.1")

Ordering Information

Description	Part No.
High-voltage (1000V) adapter with probes for the WaveBook or WBK10A	WBK61
High-voltage (100V) adapter with probes for the WaveBook or WBK10A	WBK62

Product Compatibility

- ✓ WaveBook
- ✓ WBK10A