

Specifications

SSR-IDC-05B



**MEASUREMENT
COMPUTING™**

Document Revision 1.1, December, 2006
© Copyright 2006, Measurement Computing Corporation

Specifications

Typical for 25 °C unless otherwise specified.

General characteristics

Table 1. General characteristics

Parameter	Conditions	Specification
Type		Fast switching DC input
Isolation voltage		4000 Vrms

Input

Table 2. Input specifications

Parameter	Conditions	Specification
Maximum input voltage		32 VDC
Input voltage range		3 to 32 VDC
Input current	Input voltage = maximum	18 mA
Nominal input resistance (Rx)		1.8 kOhms
Maximum pick-up voltage	(Output low)	3 VDC
Minimum drop-out voltage	(Output high)	1 VDC

Output

Table 3. Output and logic circuit specifications

Parameter	Conditions	Specification
Nominal logic voltage	Vcc	5 VDC
Logic voltage range	Vcc	3 to 6 VDC
Maximum logic supply current	Logic voltage = nominal	18 mA
Output current range		1 to 50 mA
Minimum output breakdown voltage		50 VDC
Maximum turn-on time		0.050 mS
Maximum turn-off time		0.075 mS

Environmental

Table 4. Environmental specifications

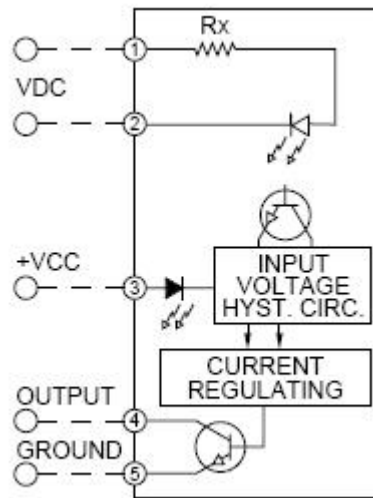
Operating temperature range	-40 to 100 °C
Storage temperature range	-40 to 125 °C
Mechanical shock	MIL-STD-202
Vibration	MIL-STD-202

Mechanical

Table 5. Mechanical specifications

Dimensions	1.7" (43.2 mm) L x 0.6" (15.2 mm) W x 1.25" (31.8 mm) H
------------	---

Block diagram and pin out



Measurement Computing Corporation
10 Commerce Way
Suite 1008
Norton, Massachusetts 02766
(508) 946-5100
Fax: (508) 946-9500
E-mail: info@mccdaq.com
www.mccdaq.com