

# Specifications

**SSR-IAC-05**



**MEASUREMENT  
COMPUTING™**

Document Revision 1.1, December, 2006  
© Copyright 2006, Measurement Computing Corporation

---

# Specifications

Typical for 25 °C unless otherwise specified.

## General characteristics

Table 1. General characteristics

Parameter	Conditions	Specification
Type		AC input
Isolation voltage		4000 Vrms

## Input

Table 2. Input specifications

Parameter	Conditions	Specification
Nominal input voltage		120 VAC
Input voltage range		90 to 140 VAC / VDC
Input current	Input voltage = maximum	8 mA RMS
Nominal input resistance (R1)		22 kOhms
Maximum pick-up voltage	(Output low)	90 VAC
Minimum drop-out voltage	(Output high)	25 VAC

## Output

Table 3. Output and logic circuit specifications

Parameter	Conditions	Specification
Nominal logic voltage	Vcc	5 VDC
Logic voltage range	Vcc	3 to 6 VDC
Maximum logic supply current	Logic voltage = nominal	10 mA
Output current range		1 to 50 mA
Minimum output breakdown voltage		50 VDC
Maximum turn-on time		20 mS
Maximum turn-off time		20 mS

## Environmental

Table 4. Environmental specifications

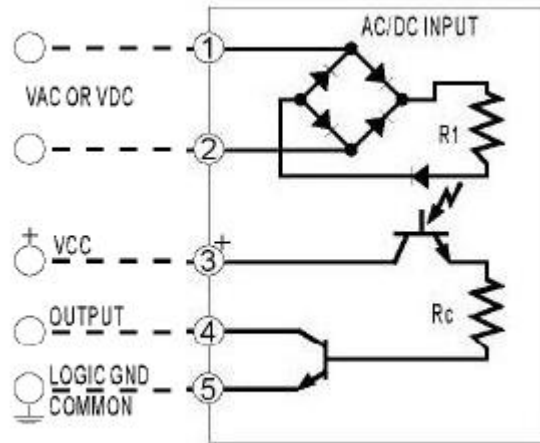
Operating temperature range	-40 to 100 °C
Storage temperature range	-40 to 125 °C
Mechanical shock	MIL-STD-202
Vibration	MIL-STD-202

## Mechanical

Table 5. Mechanical specifications

Dimensions	1.7" (43.2 mm) L x 0.6" (15.2 mm) W x 1.25" (31.8 mm) H
------------	---

### Block diagram and pin out



**Measurement Computing Corporation**  
**10 Commerce Way**  
**Suite 1008**  
**Norton, Massachusetts 02766**  
**(508) 946-5100**  
**Fax: (508) 946-9500**  
**E-mail: [info@mccdaq.com](mailto:info@mccdaq.com)**  
**[www.mccdaq.com](http://www.mccdaq.com)**