

# Micro488A

## Serial/IEEE 488 Controller



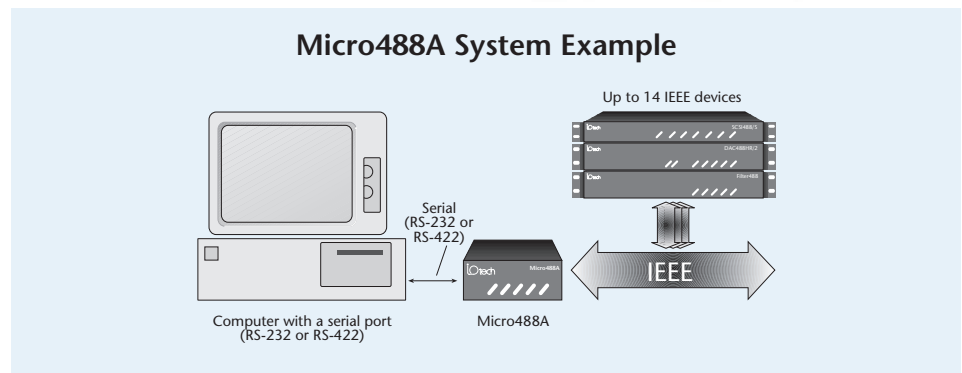
### Features

- Enables control of up to 14 IEEE devices from any computer with an RS-232 or RS-422 port
- Programmed with HP-style commands—REMOTE, TRIGGER, ENTER, CLEAR, OUTPUT
- Built-in 32,000 character data buffer
- Supports baud rates up to 57,600 baud
- Packaged in a rugged all-metal case



The Micro488A adds complete IEEE 488 programmable bus control to any computer having an RS-232 or RS-422 port. The serial link enables up to 14 IEEE 488 devices to be controlled hundreds of feet from the host computer. The Micro488A accepts simple high-level commands from the host, and converts them into IEEE protocol and handshaking. Data received from the IEEE bus is returned to the host on the same full duplex serial port. When used with IOtech's Data Acquisition Instruments, a complete remote system can be configured. A unique "MACRO" feature allows the Micro488A to store a sequence of commands from the host and execute those commands with a single user-specified instruction. This greatly reduces the commands transferred across the serial port. The "ONSRQ DOMACRO" feature allows the unit to automatically execute a macro when a service request occurs. Up to 100 macros can be defined in the Micro488A. The Micro488A can also operate in bidirectional transparent mode in the same manner as the Serial488A converter.

*Micro488A converts any computer with a serial port into a full-featured IEEE controller*



### Specifications

#### Serial Interface

All parameters are switch selectable.  
**Electrical Characteristics:** Selectable RS-232 or RS-422  
**Duplex:** Full with echo/no-echo  
**Data Bits:** 7 or 8  
**Stop Bits:** 1 or 2  
**Parity:** On transmit; odd, even, mark, space, or disabled  
**Baud Rates:** 110, 300, 600, 1200, 2400, 3600, 4800, 7200, 9600, 19200, 38400, and 57600  
**Terminator:** On Transmit; CR, LF, CR-LF, or LF-CR. On Receive; any CR or LF combination  
**Control:** Supports Clear To Send (CTS), Request To Send (RTS) and XON/XOFF  
**Serial I/O Buffers:** Dynamically allocatable, 32K max  
**Connector:** Accepts 25-pin Sub-D male: DCE configured

#### IEEE 488 Interface

**Controller Subsets:** C1, C2, C3, C4, and C10 of IEEE 488-1978  
**Terminator:** Software selectable CR, LF, CR-LF, LF-CR, and/or EOI  
**Connector:** Standard IEEE 488 connector with metric studs

#### General

**Indicators:** LEDs for Talk, Listen, SRQ, Error, and Power  
**Power:** 105 to 125V or 210 to 250V, 50/60 Hz; 10 VA max  
**Environment:** 0 to 35 °C; 0 to 95% RH, non-condensing  
**Controls:** Power switch (rear panel); internal dip switches for RS-232C and IEEE parameters, jumper selectable RS-232 or RS-422 operation  
**Dimensions:** 138 mm W x 190 mm D x 68 mm H (5.4" x 7.5" x 2.7")  
**Weight:** 1.6 kg (2.3 lbs)

### Ordering Information

<b>Description</b>	<b>Part No.</b>
Serial/IEEE controller	Micro488A
Shielded IEEE 488 cable, 6 ft.	CA-7-3