

Isolator488

IEEE 488 Bus Isolator

Features

- Electrically isolates individual instruments or groups of instruments
- Expands the number of devices allowed on the bus from 15 to 28
- Allows the IEEE interface of instruments on the same IEEE bus to operate at different voltage reference levels
- Operates transparently to the system; requires no programming
- Internal power supply connects directly to an AC power source
- Operates from the bench-top or any 19-inch rack with the included rack ears



Electrically isolate instruments on the IEEE bus with Isolator488

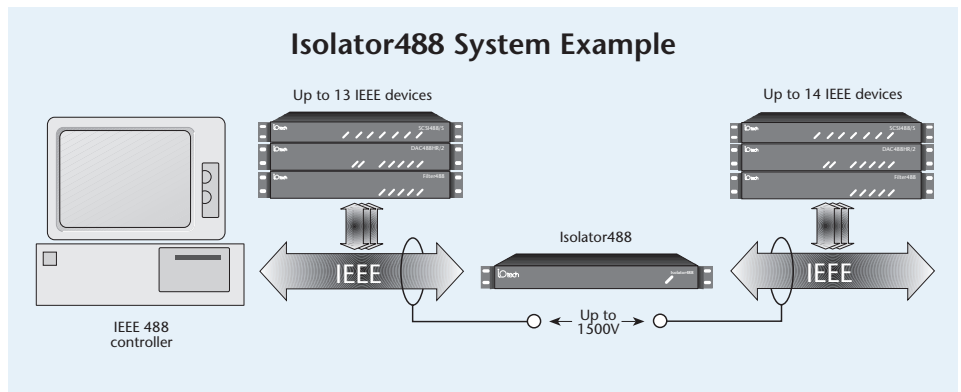
Isolator488 allows electrical isolation between devices on an IEEE bus by the use of opto-isolators on all the IEEE bus lines. Isolator488 does not occupy an address on the IEEE bus and is completely transparent to the system. The unit's isolation rating is a full 1500V, unlike typical IEEE bus expanders which offer only 20 or 30V isolation.

IEEE bus isolation is useful when operating instruments on the bus that are not referenced to the same ground as the IEEE controller. For applications where sensitive measurements are being acquired, isolation can reduce the amount of noise introduced to instruments from the IEEE bus. When operating in a noisy environment, the Isolator488 can improve IEEE bus signal integrity.

Isolator488 has two standard IEEE 488 connectors on the back panel. The user can choose to isolate one or both of these connectors.

As many as 14 devices can be attached to both of Isolator488's IEEE connectors, providing bus expansion along with bus isolation. As many as 14 Isolator488s can be attached to one IEEE controller, providing 14 different ground reference levels for as many as 30 IEEE instruments.

The Isolator488 has an internal power supply that connects directly to the AC power line. The interface is packaged in a low-profile all metal case, convenient for bench-top and rack-mount applications.



Specifications

- Max Data Transfer Rate:** 1 Mbyte/s
- Power:** 105 to 125 VAC, or 210 to 250 VAC, 50/60 Hz; 20 VA max
- Connections:** Accepts standard IEEE 488 cables with metric studs
- Environment:** 0 to 50 °C; 0 to 95% RH, non-condensing
- Indicators:** Power
- Isolation:** 1500V from reference max
- Dimensions:** 425 mm W x 203 mm D x 45 mm H (16.75" x 8" x 1.75")

Ordering Information

- | | |
|--------------------------------|-----------------|
| Description | Part No. |
| IEEE bus isolator | Isolator488 |
| Shielded IEEE 488 cable, 6 ft. | CA-7-3 |