

USB-TEMP

Multi-sensor Temperature Measurement

User's Guide

Trademark and Copyright Information

Measurement Computing Corporation, InstaCal, Universal Library, and the Measurement Computing logo are trademarks or registered trademarks of Measurement Computing Corporation. Refer to the Copyrights & Trademarks section on mccdaq.com/legal for more information about Measurement Computing trademarks. Other product and company names mentioned herein are trademarks or trade names of their respective companies.

© 2016 Measurement Computing Corporation. All rights reserved. No part of this publication may be reproduced, stored in a retrieval system, or transmitted, in any form by any means, electronic, mechanical, by photocopying, recording, or otherwise without the prior written permission of Measurement Computing Corporation.

Notice

Measurement Computing Corporation does not authorize any Measurement Computing Corporation product for use in life support systems and/or devices without prior written consent from Measurement Computing Corporation. Life support devices/systems are devices or systems that, a) are intended for surgical implantation into the body, or b) support or sustain life and whose failure to perform can be reasonably expected to result in injury. Measurement Computing Corporation products are not designed with the components required, and are not subject to the testing required to ensure a level of reliability suitable for the treatment and diagnosis of people.

Table of Contents

Preface	
About this User's Guide	5
What you will learn from this user's guide	5
Conventions in this user's guide	5
Where to find more information	5
Chapter 1	
Introducing the USB-TEMP	6
Functional block diagram	7
Chapter 2	
Installing the USB-TEMP	8
Unpacking.....	8
Installing the software	8
Installing the hardware	8
Configuring the hardware.....	8
Calibrating the hardware.....	8
Chapter 3	
Sensor Connections	9
Screw terminal pinout.....	9
Sensor input terminals (C0H/C0L to C7H/C7L).....	9
Current excitation output terminals ($\pm I1$ to $\pm I4$).....	10
Four-wire, two sensor common terminals (4W01 to 4W67).....	10
Two sensor common terminals (IC01 to IC67).....	10
Digital terminals (DIO0 to DIO7).....	10
CJC sensors.....	10
Power output terminals (+5V).....	10
Ground terminals (GND)	10
Thermocouple connections	10
Wiring configuration.....	11
RTD and thermistor connections	11
Two-wire configuration	12
Three-wire configuration	13
Four-wire configuration.....	13
Semiconductor sensor measurements	14
Wiring configuration.....	14
Digital I/O connections.....	15
Chapter 4	
Functional Details	16
Thermocouple measurements	16
Cold junction compensation (CJC).....	16
Data linearization.....	16
Open-thermocouple detection (OTD)	16
RTD and thermistor measurements	17
Data linearization.....	17
External components	17
Screw terminals.....	17
USB connector.....	18
Status LEDs	18

Chapter 5	
Specifications	19
Analog input	19
Channel configurations	20
Compatible sensors	20
Accuracy	21
Thermocouple measurement accuracy	21
Semiconductor sensor measurement accuracy	21
RTD measurement accuracy	22
Thermistor measurement accuracy	22
Throughput rate	23
Digital input/output	23
Memory	23
Microcontroller	24
USB +5V voltage	24
Power	24
USB specifications	24
Current excitation outputs (Ix+)	25
Environmental	25
Mechanical	25
Signal connector	25
EU Declaration of Conformity	27

About this User's Guide

What you will learn from this user's guide

This user's guide describes the Measurement Computing USB-TEMP data acquisition device and lists device specifications.

Conventions in this user's guide

For more information

Text presented in a box signifies additional information related to the subject matter.

Caution! Shaded caution statements present information to help you avoid injuring yourself and others, damaging your hardware, or losing your data.

bold text **Bold** text is used for the names of objects on a screen, such as buttons, text boxes, and check boxes.

italic text *Italic* text is used for the names of manuals and help topic titles, and to emphasize a word or phrase.

Where to find more information

Additional information about USB-TEMP hardware is available on our website at www.mccdaq.com. You can also contact Measurement Computing Corporation with specific questions.

- Knowledgebase: kb.mccdaq.com
- Tech support form: www.mccdaq.com/support/support_form.aspx
- Email: techsupport@mccdaq.com
- Phone: 508-946-5100 and follow the instructions for reaching Tech Support

For international customers, contact your local distributor. Refer to the International Distributors section on our website at www.mccdaq.com/International.

Introducing the USB-TEMP

The USB-TEMP is a USB 2.0 full-speed, temperature measurement module that is supported under popular Microsoft® Windows® operating systems. The USB-TEMP is fully compatible with both USB 1.1 and USB 2.0 ports.

The USB-TEMP provides eight differential input channels that are software programmable for different sensor categories including thermocouple, RTDs, thermistors and Semiconductor sensors. Eight independent, TTL-compatible digital I/O channels are provided to monitor TTL-level inputs and to communicate with external devices. The digital I/O channels are software programmable for input or output.

You can take measurements from four sensor categories:

- Thermocouple – types J, K, R, S, T, N, E, and B
- Resistance temperature detectors (RTDs) – 2, 3, or 4-wire measurements of 100 Ω platinum RTDs
- Thermistors – 2, 3, or 4-wire measurements
- Semiconductor temperature sensors – LM35, TMP35 or equivalent

The USB-TEMP provides a 24-bit analog-to-digital (A/D) converter for each pair of differential analog input channels. Each pair of differential inputs constitutes a channel pair.

You can connect a different category of sensor to each channel pair, but you cannot mix categories among the channels that constitute a channel pair (although it is permissible to mix thermocouple types).

The USB-TEMP provides two integrated cold junction compensation (CJC) sensors for thermocouple measurements, and built-in current excitation sources for resistive sensor measurements.

An open thermocouple detection feature lets you detect a broken thermocouple. An on-board microprocessor automatically linearizes the measurement data according to the sensor category.

The USB-TEMP is a standalone plug-and-play module which draws power from the USB cable. No external power supply is required. All configurable options are software programmable.

The USB-TEMP is fully software calibrated.

Functional block diagram

USB-TEMP functions are illustrated in the block diagram shown here.

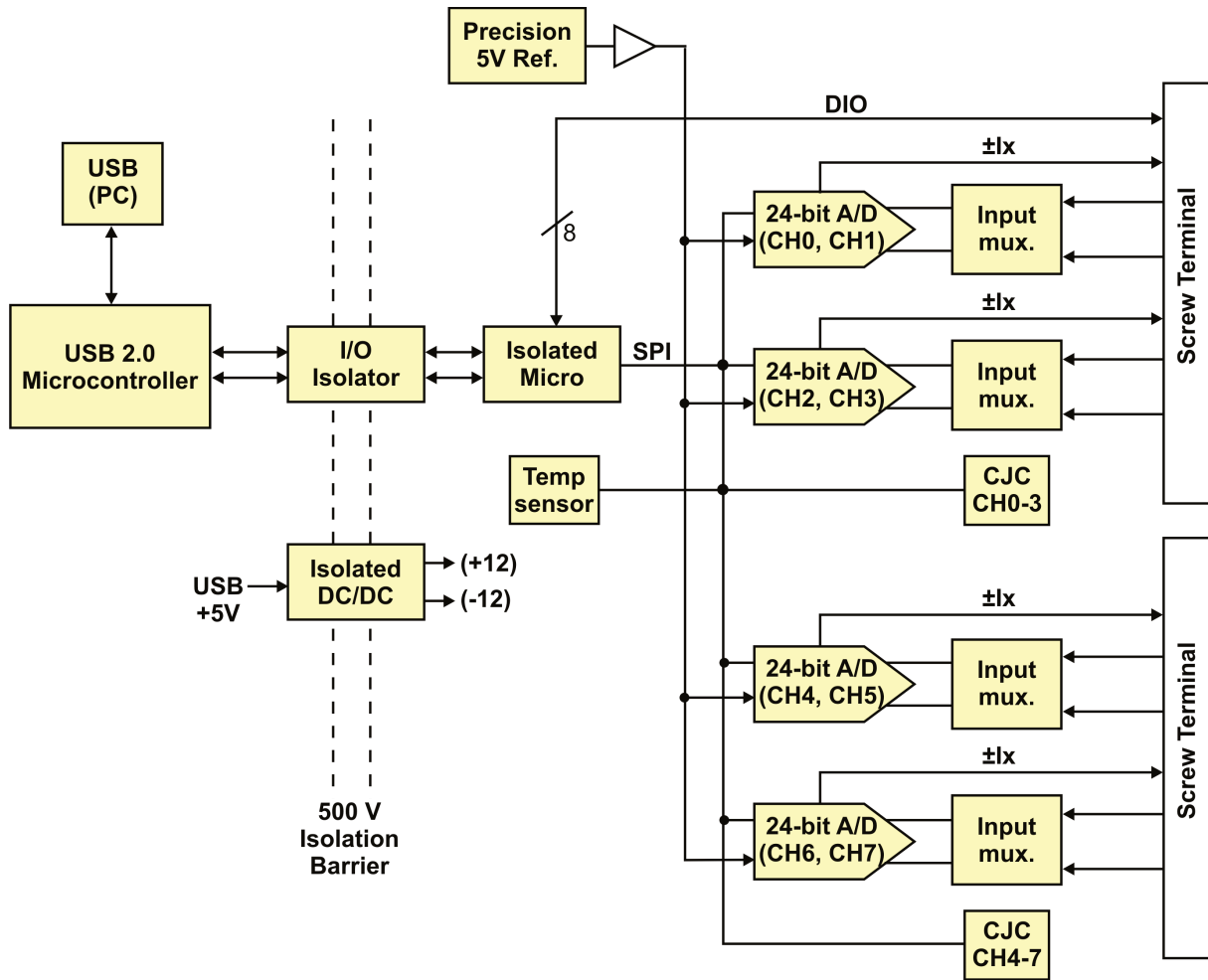


Figure 1. Functional block diagram

Installing the USB-TEMP

Unpacking

As with any electronic device, you should take care while handling to avoid damage from static electricity. Before removing the board from its packaging, ground yourself using a wrist strap or by simply touching the computer chassis or other grounded object to eliminate any stored static charge.

Installing the software

Refer to the MCC DAQ Quick Start and the USB-TEMP product page on our website for information about the available software.

Install the software before you install your device

The driver needed to run the USB-TEMP is installed with the software. Therefore, you need to install the software package you plan to use before you install the hardware.

Installing the hardware

To connect the USB-TEMP to your system, turn your computer on, and connect the USB cable to a USB port on your computer or to an external USB hub that is connected to your computer. The USB cable provides power and communication to the USB-TEMP.

When you connect the USB-TEMP to a computer for the first time, a **Found New Hardware** dialog opens when the operating system detects the device. When the dialog closes, the installation is complete. The upper **Activity LED** blinks when initially connected and then stays on; the lower **Power LED** turns on when power is applied.

Caution! Do not disconnect the device from the USB bus while the Activity LED is on and the computer is communicating with the USB-TEMP, or you may lose data and/or your ability to communicate with the USB-TEMP.

Configuring the hardware

All hardware configuration options on the USB-TEMP are programmable with software. Use InstaCal to set the sensor type for each channel. The configurable options dynamically update according to the selected sensor category. Configuration options are stored on the USB-TEMP's isolated microcontroller in EEPROM, which is non-volatile memory on the USB-TEMP module. Configuration options are loaded on power up.

Default configuration

The factory default configuration is *Disabled*. The Disabled mode disconnects the analog inputs from the terminal blocks, internally grounds the A/D inputs, and disables each of the current excitation sources.

Warm up

Allow the USB-TEMP to warm up for 30 minutes before taking measurements. This warm up time minimizes thermal drift and achieves the specified rated accuracy of measurements. For RTD or thermistor measurements, this warm-up time is also required to stabilize the internal current reference.

Calibrating the hardware

The USB-TEMP is fully calibrated via software. InstaCal prompts you to run its calibration utility when you change from one sensor category to another.

Allow the USB-TEMP to operate for at least 30 minutes before calibrating. This warm up time minimizes thermal drift and achieves the specified rated accuracy of measurements.

Sensor Connections

The USB-TEMP supports the following temperature sensor types:

- Thermocouple – types J, K, R, S, T, N, E, and B
- Resistance temperature detectors (RTDs) – 2, 3, or 4-wire measurement modes of 100 Ω platinum RTDs.
- Thermistors – 2, 3, or 4-wire measurement modes.
- Semiconductor temperature sensors – LM36 or equivalent

Sensor selection
 The type of sensor you select will depend on your application needs. Review the temperature ranges and accuracies of each sensor type to determine which is best suited for your application.

Screw terminal pinout

The device screw terminals are identified in Figure 2. Between each bank of screw terminals are two integrated CJC sensors used for thermocouple measurements.

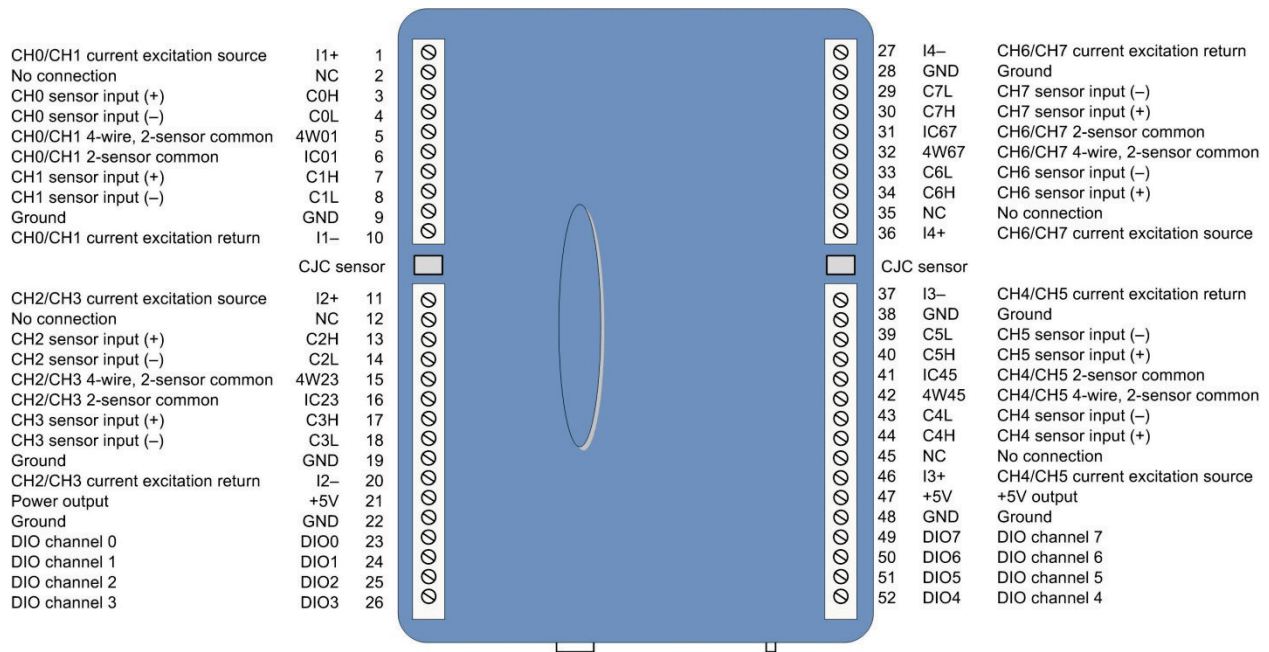


Figure 2. USB-TEMP screw terminal pin numbers

Use 16 AWG to 30 AWG wire for your signal connections.

Tighten screw terminal connections

When making connections to the screw terminals, be sure to tighten the screw until tight. Simply touching the top of the screw terminal is not sufficient to make a proper connection.

Sensor input terminals (C0H/C0L to C7H/C7L)

You can connect up to eight temperature sensors to the differential sensor inputs (C0H/C0L to C7H/C7L). Supported sensor categories include thermocouples, RTDs, thermistors, or semiconductor sensors.

Do not mix sensor categories within channel pairs. You can mix thermocouple types (J, K, R, S, T, N, E, and B) within channel pairs, however.

Do not connect two different sensor categories to the same channel pair

The USB-TEMP provides a 24 bit A/D converter for each channel pair. Each channel pair can monitor one sensor category. To monitor a sensor from a different category, connect the sensor to a different channel pair (input terminals).

Current excitation output terminals ($\pm I1$ to $\pm I4$)

The USB-TEMP has four dedicated pairs of current excitation output terminals ($\pm I1$ to $\pm I4$). These terminals have a built-in precision current source to provide excitation for the resistive sensors used for RTD and thermistor measurements.

Each current excitation terminal is dedicated to one pair of sensor input channels:

- I1+ is the current excitation source for channel 0 and channel 1
- I2+ is the current excitation source for channel 2 and channel 3
- I3+ is the current excitation source for channel 4 and channel 5
- I4+ is the current excitation source for channel 6 and channel 7

Four-wire, two sensor common terminals (4W01 to 4W67)

These terminals are used as the common connection for four-wire configurations with two RTD or thermistor sensors.

Two sensor common terminals (IC01 to IC67)

These terminals are used as the common connection for two-wire configurations with two RTD or thermistor sensors.

Digital terminals (DIO0 to DIO7)

You can connect up to eight digital I/O lines to the screw terminals labeled **DIO0** to **DIO7**. Each terminal is software configurable for input or output.

CJC sensors

The USB-TEMP has two built in high-resolution temperature sensors. One sensor is located on the right side of the package, and one sensor is located at the left side.

Power output terminals (+5V)

The two **+5V** output terminals are isolated (500 VDC) from the USB +5V.

Caution! Each +5V terminal is an output. Do not connect to an external power supply or you may damage the USB-TEMP and possibly the computer.

Ground terminals (GND)

The six ground terminals (**GND**) provide a common ground for the input channels and DIO bits and are isolated (500 VDC) from the USB GND.

Thermocouple connections

The USB-TEMP makes fully differential thermocouple measurements without the need of ground-referencing resistors. A 32-bit floating point value in either a voltage or temperature format is returned by software. An open thermocouple detection feature is available for each analog input which automatically detects an open or broken thermocouple.

Use InstaCal to select the thermocouple type (J, K, R, S, T, N, E, and B) and one or more sensor input channels to connect the thermocouple.

Wiring configuration

Connect the thermocouple to the USB-TEMP using a differential configuration, as shown in Figure 3.

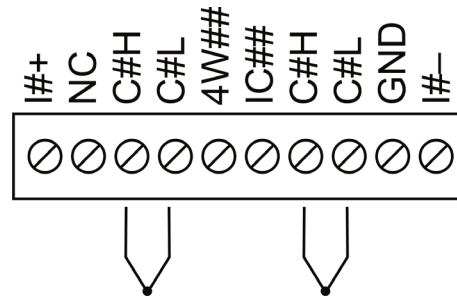


Figure 3. Typical thermocouple connection

The USB-TEMP **GND** pins are isolated from earth ground, so connecting thermocouple sensors to voltages referenced to earth ground is permissible as long as the isolation between the GND pins (9, 19, 28, 38) and earth ground is maintained.

When thermocouples are attached to conductive surfaces, the voltage differential between multiple thermocouples must remain within ± 1.4 V. For best results, we recommend the use of insulated or ungrounded thermocouples when possible.

Maximum input voltage between analog input and ground

The absolute maximum input voltage between an analog input and the isolated GND pins is ± 25 VDC when the USB-TEMP is powered on, and ± 40 VDC when the USB-TEMP is powered off.

If you need to increase the length of your thermocouple, use the same type of thermocouple wires to minimize the error introduced by thermal EMFs.

RTD and thermistor connections

A resistance temperature detector (RTD) measures temperature by correlating the resistance of the RTD element with temperature. A thermistor is a thermally-sensitive resistor that is similar to an RTD in that its resistance changes with temperature — thermistors show a large change in resistance that is proportional to a small change in temperature. The main difference between RTD and thermistor measurements is the method used to linearize the sensor data.

RTDs and thermistors are resistive devices that require an excitation current to produce a voltage drop that can be measured differentially across the sensor. The device has four built-in current excitation sources ($\pm I1$ to $\pm I4$) for measuring resistive type sensors. Each current excitation terminal is dedicated to one channel pair.

The USB-TEMP makes two, three, and four-wire measurements of RTDs (100 Ω platinum type) and thermistors.

Use InstaCal to select the sensor type and the wiring configuration. Once the resistance value is calculated, the value is linearized in order to convert it to a temperature value. A 32-bit floating point value in either temperature or resistance is returned by software.

RTD maximum resistance

Resistance values greater than 660 Ω cannot be measured by the USB-TEMP in the RTD mode. The 660 Ω resistance limit includes the total resistance across the current excitation ($\pm Ix$) pins, which is the sum of the RTD resistance and the lead resistances.

Thermistor maximum resistance

Resistance values greater than 180 k Ω cannot be measured by the USB-TEMP in the thermistor mode. The 180 k Ω resistance limit includes the total resistance across the current excitation ($\pm Ix$) pins, which is the sum of the thermistor resistance and the lead resistance.

Two-wire configuration

The easiest way to connect an RTD sensor or thermistor to the USB-TEMP is with a two-wire configuration, since it requires the fewest connections to the sensor. With this method, the two wires that provide the RTD sensor with its excitation current also measure the voltage across the sensor.

Since RTDs exhibit a low nominal resistance, measurement accuracy can be affected due to the lead wire resistance. For example, connecting lead wires that have a resistance of 1 Ω (0.5 Ω each lead) to a 100 Ω platinum RTD will result in a 1% measurement error.

With a two-wire configuration, you can connect either one sensor per channel pair, or two sensors per channel pair.

Two-wire, single-sensor

A two-wire single-sensor measurement configuration is shown in Figure 4.

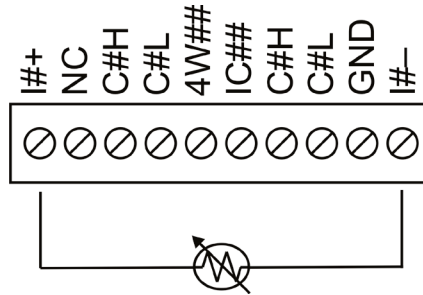


Figure 4. Two-wire, single RTD or thermistor sensor measurement configuration

When you select a two-wire single sensor configuration with InstaCal, connections to C#H and C#L are made internally.

Two-wire, two sensor

A two-wire, two-sensor measurement configuration is shown in Figure 5.

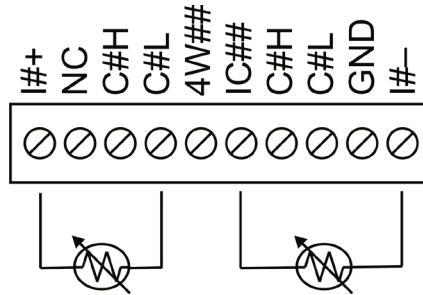


Figure 5. Two-wire, two RTD or thermistor sensors measurement configuration

When you select a two-wire, two sensor configuration with InstaCal, connections to C#H (first sensor) and C#H/C#L (second sensor) are made internally.

When configured for two-wire mode, both sensors must be connected to obtain proper measurements.

Three-wire configuration

A three-wire configuration compensates for lead-wire resistance by using a single voltage sense connection. With a three-wire configuration, you can connect only one sensor per channel pair. A three-wire measurement configuration is shown in Figure 6.

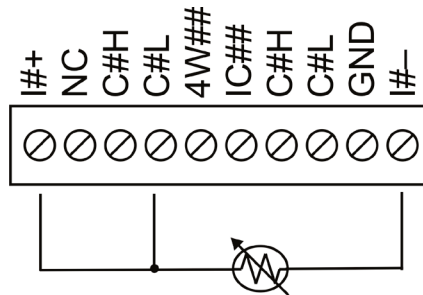


Figure 6. Three-wire RTD or thermistor sensor measurement configuration

When you select a three-wire sensor configuration with InstaCal, the USB-TEMP measures the lead resistance on the first channel (C#H/C#L) and measures the sensor itself using the second channel (C#H/C#L). This configuration compensates for any lead-wire resistance and temperature change in lead-wire resistance. Connections to C#H for the first channel and C#H/C#L of the second channel are made internally.

Three-wire compensation

For accurate three wire compensation, the individual lead resistances connected to the ±I# pins must be of equal resistance value.

Four-wire configuration

With a four-wire configuration, connect two sets of sense/excitation wires at each end of the RTD or thermistor sensor. This configuration completely compensates for any lead-wire resistance and temperature change in lead-wire resistance.

Connect your sensor with a four-wire configuration when your application requires very high accuracy measurements. Examples of a four-wire single-sensor measurement configuration are shown in Figure 7 and Figure 8.

You can configure the USB-TEMP with either a single sensor per channel or two sensors per channel pair.

Four-wire, single-sensor

A four-wire, single-sensor connected to the first channel of a channel pair is shown in Figure 7.

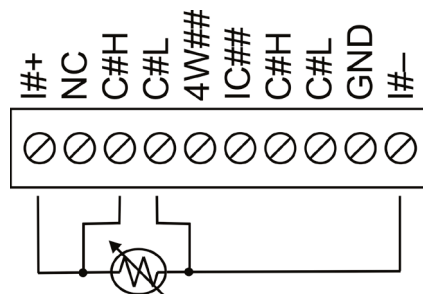


Figure 7. Four-wire, single RTD or thermistor sensor measurement configuration

A four-wire, single-sensor connected to the second channel of a channel pair is shown in Figure 8.

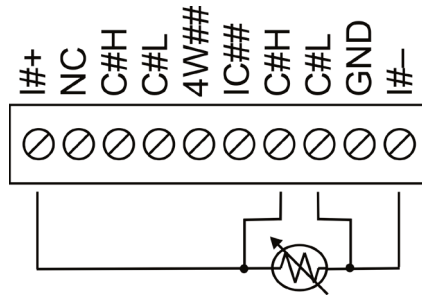


Figure 8. Four-wire, single RTD or thermistor sensor measurement configuration

A four-wire, two-sensor measurement configuration is shown in Figure 9.

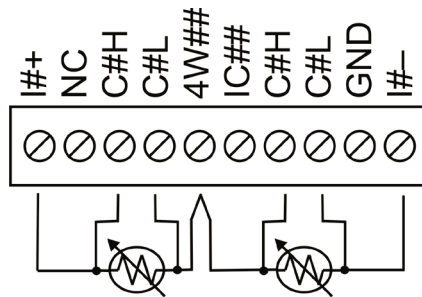


Figure 9. Four-wire, two RTD or thermistor sensors measurement configuration

When configured for four-wire, two sensor mode, both sensors must be connected to obtain proper measurements.

Semiconductor sensor measurements

Semiconductor sensors are suitable over a range of approximately -40 °C to 125 °C, where an accuracy of ±2 °C is adequate. The temperature measurement range of a semiconductor sensor is small when compared to thermocouples and RTDs. However, semiconductor sensors can be accurate, inexpensive and easy to interface with other electronics for display and control.

The USB-TEMP makes high-resolution measurements of semiconductor sensors, and returns a 32-bit floating point value in either voltage or temperature.

Use InstaCal to select the sensor type (LM35, TMP35 or equivalent) and the sensor input channel to connect the sensor.

Wiring configuration

Connect the semiconductor sensor to the USB-TEMP using a single-ended configuration, as shown in Figure 10. The device provides **+5V** and **GND** pins for powering the sensor.

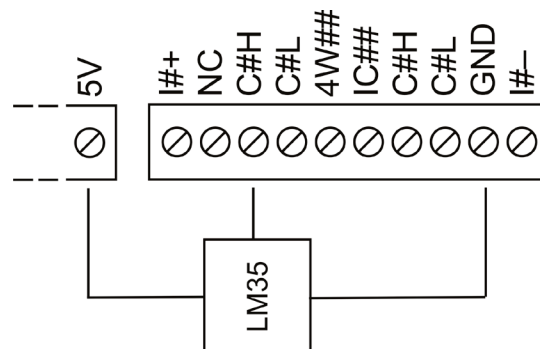


Figure 10. Semiconductor sensor measurement configuration

Digital I/O connections

You can connect up to eight digital I/O lines to the screw terminals labeled **DIO0** to **DIO7**. You can configure each digital bit for either input or output. All digital I/O lines are pulled up to +5V with a 47 k Ω resistor (default). You can request the factory to configure the resistor for pull-down to ground if desired.

When you configure the digital bits for input, you can use the USB-TEMP digital I/O terminals to detect the state of any TTL-level input. Refer to the schematic shown in Figure 11. If you set the switch to the +5V input, DIO0 reads *TRUE* (1). If you move the switch to GND, DIO0 reads *FALSE* (0).

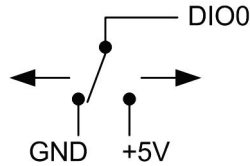


Figure 11. Schematic showing switch detection by digital channel DIO0

Caution! All ground pins on the USB-TEMP (pins 9, 19, 28, 38) are common and are isolated from earth ground. If a connection is made to earth ground when using digital I/O and conductive thermocouples, the thermocouples are no longer isolated. In this case, thermocouples must not be connected to earth ground. For more information about digital signal connections

For more information about digital signal connections

For general information about digital signal connections and digital I/O techniques, refer to the *Guide to DAQ Signal Connections* (available on our web site at www.mccdaq.com/support/DAQ-Signal-Connections.aspx).

Functional Details

Thermocouple measurements

A thermocouple consists of two dissimilar metals that are joined together at one end. When the junction of the metals is heated or cooled, a voltage is produced that correlates to temperature.

The USB-TEMP hardware level-shifts the thermocouple's output voltage into the A/D's common mode input range by applying +2.5 V to the thermocouple's low side at the C#L input. Always connect thermocouple sensors to the USB-TEMP in a floating fashion. Do not attempt to connect the thermocouple low side C#L to GND or to a ground referencing resistor.

Cold junction compensation (CJC)

When you connect the thermocouple sensor leads to the sensor input channel, the dissimilar metals at the USB-TEMP terminal blocks produce an additional thermocouple junction. This junction creates a small voltage error term which must be removed from the overall sensor measurement using a cold junction compensation technique. The measured voltage includes both the thermocouple voltage and the cold junction voltage. To compensate for the additional cold junction voltage, the USB-TEMP subtracts the *cold junction* voltage from the thermocouple voltage.

The USB-TEMP has two high-resolution temperature sensors that are integrated into the design of the USB-TEMP. One sensor is located on the right side of the package, and one sensor is located at the left side. The CJC sensors measure the average temperature at the terminal blocks so that the cold junction voltage can be calculated. A software algorithm automatically corrects for the additional thermocouples created at the terminal blocks by subtracting the calculated cold junction voltage from the analog input's thermocouple voltage measurement.

Increasing the thermocouple length

If you need to increase the length of your thermocouple, use the same type of thermocouple wires to minimize the error introduced by thermal EMFs.

Data linearization

After the CJC correction is performed on the measurement data, an on-board microcontroller automatically linearizes the thermocouple measurement data using National Institute of Standards and Technology (NIST) linearization coefficients for the selected thermocouple type.

The measurement data is then output as a 32-bit floating point value in the configured format (voltage or temperature).

Open-thermocouple detection (OTD)

The USB-TEMP is equipped with an open-thermocouple detection for each analog input channel. With OTD, any open-circuit or short-circuit condition at the thermocouple sensor is detected by the software. An open channel is detected by driving the input voltage to a negative value outside the range of any thermocouple output. The software recognizes this as an invalid reading and flags the appropriate channel. The software continues to sample all channels when OTD is detected.

Input leakage current

With open-thermocouple detection enabled, 105 nA (max) of input leakage current is injected into the thermocouple. This current can cause an error voltage to develop across the lead resistance of the thermocouple that is indistinguishable from the thermocouple voltage you are measuring.

You can estimate the error voltage with this formula:

$$\text{error voltage} = \text{resistance of the thermocouple} \times 105 \text{ nA}$$

To reduce the error, reduce the length of the thermocouple to lower its resistance, or lower the AWG of the wire by using a wire with a larger diameter. With open-thermocouple detection disabled, 30 nA max of input leakage current is injected into the thermocouple.

RTD and thermistor measurements

RTDs and thermistors are resistive devices that require an excitation current to produce a voltage drop that can be measured differentially across the sensor. The USB-TEMP measures the sensor resistance by forcing a known excitation current through the sensor and then measuring (differentially) the voltage across the sensor to determine its resistance.

After the voltage measurement is made, the resistance of the RTD is calculated using Ohms law – the sensor resistance is calculated by dividing the measured voltage by the current excitation level ($\pm I_x$) source. The value of the $\pm I_x$ source is stored in local memory.

Once the resistance value is calculated, the value is linearized in order to convert it to a temperature value. The measurement is returned by software as a 32-bit floating point value in either temperature or resistance.

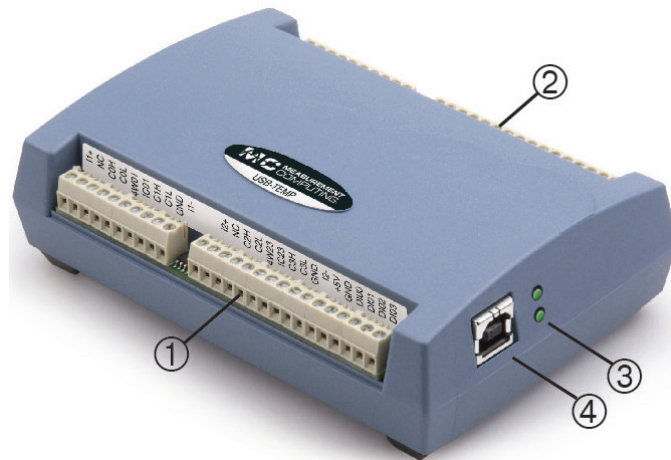
Data linearization

An on-board microcontroller automatically performs linearization on RTD and thermistor measurements.

- RTD measurements are linearized using a Callendar-Van Dusen coefficients algorithm (you select DIN, SAMA, or ITS-90).
- Thermistor measurements are linearized using a Steinhart-Hart linearization algorithm (you supply the coefficients from the sensor manufacturer's data sheet).

External components

The USB-TEMP has the following external components, as shown in Figure 12.



- | | | | |
|---|------------------------------|---|--|
| 1 | Screw terminal pins 1 to 26 | 3 | Status LEDs: Activity (top) and Power (bottom) |
| 2 | Screw terminal pins 27 to 52 | 4 | USB connector |

Figure 12. External component locations

Screw terminals

Use the screw terminals for connecting temperature sensors and digital I/O lines. These terminals also provide ground and power output connections. Refer to the "Sensor Connections" chapter on page 9 for information about the device screw terminals.

USB connector

The USB connector provides +5V power and communication. No external power supply is required.

Status LEDs

USB-TEMP has two LEDs that indicate the status of power and data. The LEDs are stacked one above the other.

- The **Activity** LED (top) blinks when data is transferred over the USB bus.
- The **Power** LED (bottom) turns on when power is applied.

Specifications

All specifications are subject to change without notice.

Typical for 25 °C unless otherwise specified.

Specifications in *italic text* are guaranteed by design.

Analog input

Table 1. Generic analog input specifications

Parameter	Condition	Specification
A/D converters		Four dual 24-bit, Sigma-Delta type
Number of channels		8 differential
<i>Input isolation</i>		<i>500 VDC minimum between field wiring and USB interface</i>
Channel configuration		Software programmable to match sensor type
Differential input voltage range for the various sensor categories	Thermocouple	±0.080 V
	RTD	0 to 0.5 V
	Thermistor	0 to 2 V
	Semiconductor sensor	0 to 2.5 V
<i>Absolute maximum input voltage</i>	<i>±C0x through ±C7x relative to GND (pins 9, 19, 28, 38)</i>	<i>±24 V power on ±24 V power off</i>
Input impedance		5 GΩ, min
Input leakage current	Open thermocouple detect disabled	30 nA max
	Open thermocouple detect enabled	105 nA max
<i>Normal mode rejection ratio</i>	<i>f_{IN} = 60 Hz</i>	<i>90 dB min</i>
<i>Common mode rejection ratio</i>	<i>f_{IN} = 50 Hz/60 Hz</i>	<i>100 dB min</i>
Resolution		24 bits
<i>No missing codes</i>		<i>24 bits</i>
Input coupling		DC
Warm-up time		30 minutes min
Open thermocouple detect		Automatically enabled when the channel pair is configured for thermocouple sensor. The maximum open detection time is 3 seconds.
<i>CJC sensor accuracy</i>	<i>15 °C to 35 °C</i>	<i>±0.25 °C typ, ±0.5 °C max</i>
	<i>0 °C to 70 °C</i>	<i>-1.0 °C to +0.5 °C max</i>

Channel configurations

Table 2. Channel configuration specifications

Sensor Category	Condition	Max number of sensors (all channels configured alike)
Disabled		
Thermocouple		8 differential channels
Semiconductor sensor		8 differential channels
RTD and thermistor	2-wire input configuration with a single sensor per channel pair	4 differential channels
	2-wire input configuration with two sensors per channel pair	8 differential channels
	3-wire configuration with a single sensor per channel pair	4 differential channels
	4-wire input configuration with a single sensor per channel pair	4 differential channels
	4-wire input configuration with two sensors per channel pair	8 differential channels

Note 1: Internally, the device has four, dual-channel, fully differential A/Ds providing a total of eight differential channels. The analog input channels are therefore configured in four channel pairs with CH0/CH1 sensor inputs, CH2/CH3 sensor inputs, CH4/CH5 sensor inputs, and CH6/CH7 sensor inputs paired together. This "channel-pairing" requires the analog input channel pairs be configured to monitor the same category of temperature sensor. Mixing different sensor types of the same category (such as a type J thermocouple on channel 0 and a type T thermocouple on channel 1) is valid.

Note 2: Channel configuration information is stored in the EEPROM of the isolated microcontroller by the firmware whenever any item is modified. Modification is performed by commands issued over USB from an external application, and the configuration is made non-volatile through the use of the EEPROM.

Note 3: The factory default configuration is *Disabled*. The Disabled mode will disconnect the analog inputs from the terminal blocks and internally ground all of the A/D inputs. This mode also disables each of the current excitation sources.

Compatible sensors

Table 3. Compatible sensor type specifications

Parameter	Specification
Thermocouple	J: -210 °C to 1200 °C
	K: -270 °C to 1372 °C
	R: -50 °C to 1768 °C
	S: -50 °C to 1768 °C
	T: -270 °C to 400 °C
	N: -270 °C to 1300 °C
	E: -270 °C to 1000 °C
	B: 0 °C to 1820 °C
RTD	100 Ω PT (DIN 43760: 0.00385 ohms/ohm/°C)
	100 Ω PT (SAMA: 0.003911 ohms/ohm/°C)
	100 ΩPT (ITS-90/IEC751:0.0038505 ohms/ohm/°C)
Thermistor	Standard 2,252 Ω through 30,000 Ω
Semiconductor / IC	LM35, TMP35 or equivalent

Accuracy

Thermocouple measurement accuracy

Table 4. Thermocouple accuracy specifications, including CJC measurement error

Sensor type	Maximum error (°C)	Typical error (°C)	Temperature range (°C)
J	±1.499	±0.507	-210 to 0
	±0.643	±0.312	0 to 1200
K	±1.761	±0.538	-210 to 0
	±0.691	±0.345	0 to 1372
S	±2.491	±0.648	-50 to 250
	±1.841	±0.399	250 to 1768.1
R	±2.653	±0.650	-50 to 250
	±1.070	±0.358	250 to 1768.1
B	±1.779	±0.581	250 to 700
	±0.912	±0.369	700 to 1820
E	±1.471	±0.462	-200 to 0
	±0.639	±0.245	0 to 1000
T	±1.717	±0.514	-200 to 0
	±0.713	±0.256	0 to 600
N	±1.969	±0.502	-200 to 0
	±0.769	±0.272	0 to 1300

Note 4: Thermocouple measurement accuracy specifications include linearization, cold-junction compensation and system noise. These specs are for one year, or 3000 operating hours, whichever comes first, and for operation of the device between 15 °C and 35 °C. For measurements outside this range, add $\pm 0.5^\circ$ to the maximum error shown. There are CJC sensors on each side of the module. The accuracy listed above assumes the screw terminals are at the same temperature as the CJC sensor. Errors shown do not include inherent thermocouple error. Please contact your thermocouple supplier for details on the actual thermocouple error.

Note 5: Thermocouples must be connected to the device such that they are floating with respect to GND (pins 9, 19, 28, 38). The GND pins are isolated from earth ground, so connecting thermocouple sensors to voltages referenced to earth ground is permissible as long as the isolation between the GND pins and earth ground is maintained.

Note 6: When thermocouples are attached to conductive surfaces, the voltage differential between multiple thermocouples must remain within ± 1.4 V. For best results we recommend the use of insulated or ungrounded thermocouples when possible.

Semiconductor sensor measurement accuracy

Table 5. Semiconductor sensor accuracy specifications

Sensor type	Temperature range (°C)	Maximum accuracy error (°C)
LM35, TMP35 or equivalent	-40 to 150	±0.50

Note 7: Error shown does not include errors of the sensor itself. These specs are for one year while operation of the device is between 15 °C and 35 °C. Please contact your sensor supplier for details on the actual sensor error limitations.

RTD measurement accuracy

Table 6. RTD measurement accuracy specifications

RTD	Sensor temperature (°C)	Maximum accuracy error (°C) I _{x+} = 210 μA	Typical accuracy error (°C) I _{x+} = 210 μA
PT100, DIN, US or ITS-90	-200 to -150	±2.85	±2.59
	-150 to -100	±1.24	±0.97
	-100 to 0	±0.58	±0.31
	0 to 100	±0.38	±0.11
	100 to 300	±0.39	±0.12
	300 to 600	±0.40	±0.12

Note 8: Error shown does not include errors of the sensor itself. The sensor linearization is performed using a Callendar–Van Dusen linearization algorithm. These specs are for one year while operation of the device is between 15 °C and 35 °C. The specification does not include lead resistance errors for 2-wire RTD connections. Please contact your sensor supplier for details on the actual sensor error limitations.

Note 9: Resistance values greater than 660 Ω cannot be measured by the device in the RTD mode. The 660 Ω resistance limit includes the total resistance across the current excitation (±I_x) pins, which is the sum of the RTD resistance and the lead resistances.

Note 10: For accurate three wire compensation, the individual lead resistances connected to the ±I_x pins must be of equal value.

Thermistor measurement accuracy

Table 7. Thermistor measurement accuracy specifications

Thermistor	Temperature range (°C)	Maximum accuracy error (°C) I _{x+} = 10 μA
2252 Ω	-40 to 120	±0.05
3000 Ω	-40 to 120	±0.05
5000 Ω	-35 to 120	±0.05
10000 Ω	-25 to 120	±0.05
30000 Ω	-10 to 120	±0.05

Note 11: Error shown does not include errors of the sensor itself. The sensor linearization is performed using a Steinhart-Hart linearization algorithm. These specs are for one year while operation of the device is between 15 °C and 35 °C. The specification does not include lead resistance errors for 2-wire thermistor connections. Please contact your sensor supplier for details on the actual sensor error limitations. Total thermistor resistance on any given channel pair must not exceed 180 kΩ. Typical resistance values at various temperatures for supported thermistors are shown in Table 8.

Table 8. Typical thermistor resistance specifications

Temp (°C)	2252 Ω thermistor	3000 Ω thermistor	5 kΩ thermistor	10 kΩ thermistor	30 kΩ thermistor
-40	76 kΩ	101 kΩ	168 kΩ	240 kΩ (Note 12)	885 kΩ (Note 12)
-35	55 kΩ	73 kΩ	121 kΩ	179 kΩ	649 kΩ (Note 12)
-30	40 kΩ	53 kΩ	88 kΩ	135 kΩ	481 kΩ (Note 12)
-25	29 kΩ	39 kΩ	65 kΩ	103 kΩ	360 kΩ (Note 12)
-20	22 kΩ	29 kΩ	49 kΩ	79 kΩ	271 kΩ (Note 12)
-15	16 kΩ	22 kΩ	36 kΩ	61 kΩ	206 kΩ (Note 12)
-10	12 kΩ	17 kΩ	28 kΩ	48 kΩ	158 kΩ
-5	9.5 kΩ	13 kΩ	21 kΩ	37 kΩ	122 kΩ
0	7.4 kΩ	9.8 kΩ	16 kΩ	29 kΩ	95 kΩ

Note 12: Resistance values greater than 180 kΩ cannot be measured by the device in the thermistor mode. The 180 kΩ resistance limit includes the total resistance across the current excitation (±I_x) pins, which is the sum of the thermistor resistance and the lead resistances.

Note 13: For accurate three wire compensation, the individual lead resistances connected to the $\pm I_x$ pins must be of equal value.

Throughput rate

Table 9. Throughput rate specifications

Number of input channels	Maximum throughput
1	2 Samples/second
2	2 S/s on each channel, 4 S/s total
3	2 S/s on each channel, 6 S/s total
4	2 S/s on each channel, 8 S/s total
5	2 S/s on each channel, 10 S/s total
6	2 S/s on each channel, 12 S/s total
7	2 S/s on each channel, 14 S/s total
8	2 S/s on each channel, 16 S/s total

Note 14: The analog inputs are configured to run continuously. Each channel is sampled twice per second. The maximum latency between when a sample is acquired and the temperature data is provided by the USB unit is approximately 0.5 seconds.

Digital input/output

Table 10. Digital input/output specifications

Parameter	Specification
Digital type	CMOS
Number of I/O	8 (DIO0 through DIO7)
Configuration	Independently configured for input or output. Power on reset is input mode.
Pull-up/pull-down configuration	All pins pulled up to +5 V via 47 k Ω resistors (default). Pull-down to ground (GND) also available.
Digital I/O transfer rate (software paced)	<ul style="list-style-type: none"> ■ Digital input: 50 port reads or single bit reads per second, typ ■ Digital output: 100 port writes or single bit writes per second, typ
Input high voltage	2.0 V min, 5.5 V absolute max
Input low voltage	0.8 V max, -0.5 V absolute min
Output low voltage (IOL = 2.5 mA)	0.7 V max
Output high voltage (IOH = -2.5 mA)	3.8 V min

Note 15: All ground pins (pins 9, 19, 28, 38) are common and are isolated from earth ground. If a connection is made to earth ground when using digital I/O and conductive thermocouples, the thermocouples are no longer isolated. In this case, thermocouples must not be connected to any conductive surfaces that may be referenced to earth ground.

Memory

Table 11. Memory specifications

Parameter	Specification
EEPROM	1,024 bytes isolated micro reserved for sensor configuration 256 bytes USB micro for external application use

Microcontroller

Table 12. Microcontroller specifications

Parameter	Specification
Type	Two high-performance 8-bit RISC microcontrollers

USB +5V voltage

Table 13. USB +5V voltage specifications

Parameter	Specification
USB +5V (VBUS) input voltage range	4.75 V min to 5.25 V max

Power

Table 14. Power specifications

Parameter	Condition	Specification
Supply current	USB enumeration	<100 mA
Supply current (Note 16)	Continuous mode	140 mA typ
+5V output voltage range (pins 21 and 47)	Connected to self-powered hub. (Note 17)	4.75 V min to 5.25 V max
+5V output current (pins 21 and 47)	Bus-powered and connected to a self-powered hub. (Note 17)	10 mA max
Isolation	Measurement system to PC	500 VDC min

Note 16: This is the total current requirement for the device which includes up to 10 mA for the status LED.

Note 17: Self-Powered Hub refers to a USB hub with an external power supply. Self-powered hubs allow a connected USB device to draw up to 500 mA.

Root Port Hubs reside in the PC USB Host Controller. The USB port(s) on your PC are root port hubs. All externally powered root port hubs (desktop PC) provide up to 500 mA of current for a USB device. Battery-powered root port hubs provide 100 mA or 500 mA, depending upon the manufacturer. A laptop PC that is not connected to an external power adapter is an example of a battery-powered root port hub.

USB specifications

Table 15. USB specifications

Parameter	Specification
USB device type	USB 2.0 (full-speed)
Device compatibility	USB 1.1, USB 2.0
Device power capability	Self-powered, 100 mA consumption max
USB cable type	A-B cable, UL type AWM 2725 or equivalent. (min 24 AWG VBUS/GND, min 28 AWG D+/D-)
USB cable length	3 m (9.84 ft) max

Current excitation outputs (Ix+)

Table 16. Current excitation output specifications

Parameter	Specification
Configuration	4 dedicated pairs: ±I1: CH0/CH1 ±I2: CH2/CH3 ±I3: CH4/CH5 ±I4: CH6/CH7
Current excitation output ranges	Thermistor: 10 μ A typ
	RTD: 210 μ A typ
Tolerance	±5% typ
Drift	200 ppm/°C
Line regulation	2.1 ppm/V max
Load regulation	0.3 ppm/V typ
Output compliance voltage (relative to GND pins 9, 19, 28, 38)	3.90 V max -0.03 V min

Note 18: The device has four current excitation outputs, with ±I1 dedicated to the CH0/CH1 analog inputs, ±I2 dedicated to CH2/CH3, ±I3 dedicated to CH4/CH5, and ±I4 dedicated to CH6/CH7. The excitation output currents should always be used in this dedicated configuration.

Note 19: The current excitation outputs are automatically configured based on the sensor (thermistor or RTD) selected.

Environmental

Table 17. Environmental specifications

Parameter	Specification
Operating temperature range	0 °C to 70 °C
Storage temperature range	-40 °C to 85 °C
Humidity	0% to 90% non-condensing

Mechanical

Table 18. Mechanical specifications

Parameter	Specification
Dimensions (L × W × H)	128.52 x 88.39 × 35.56 mm (5.06 × 3.48 × 1.43 ft)
User connection length	3 m (9.84 ft) max

Signal connector

Table 19. Signal connector specifications

Parameter	Specification
Connector type	Screw terminal
Wire gauge range	16 AWG to 30 AWG

Table 20. Screw terminal pinout

Pin	Signal Name	Pin Description	Pin	Signal Name	Pin Description
1	I1+	CH0/CH1 current excitation source	27	I4-	CH6/CH7 current excitation return
2	NC	No connection	28	GND	Ground
3	C0H	CH0 sensor input (+)	29	C7L	CH7 sensor input (-)
4	C0L	CH0 sensor input (-)	30	C7H	CH7 sensor input (+)
5	4W01	CH0/CH1 4-wire, 2 sensor common	31	IC67	CH6/CH7 2 sensor common
6	IC01	CH0/CH1 2-sensor common	32	4W67	CH6/CH7 4-wire, 2 sensor common
7	C1H	CH1 sensor input (+)	33	C6L	CH6 sensor input (-)
8	C1L	CH1 sensor input (-)	34	C6H	CH6 sensor input (+)
9	GND	Ground	35	NC	No connection
10	I1-	CH0/CH1 current excitation return	36	I4+	CH6/CH7 current excitation source
	CJC sensor			CJC sensor	
11	I2+	CH2/CH3 current excitation source	37	I3-	CH4/CH5 current excitation return
12	NC	No connection	38	GND	Ground
13	C2H	CH2 sensor input (+)	39	C5L	CH5 sensor input (-)
14	C2L	CH2 sensor input (-)	40	C5H	CH5 sensor input (+)
15	4W23	CH2/CH3 4-wire, 2 sensor common	41	IC45	CH4/CH5 2 sensor common
16	IC23	CH2/CH3 2 sensor common	42	4W45	CH4/CH5 4-wire, 2 sensor common
17	C3H	CH3 sensor input (+)	43	C4L	CH4 sensor input (-)
18	C3L	CH3 sensor input (-)	44	C4H	CH4 sensor input (+)
19	GND	Ground	45	NC	No connection
20	I2-	CH2/CH3 current excitation return	46	I3+	CH4/CH5 current excitation source
21	+5V	Power output	47	+5V	Power output
22	GND	Ground	48	GND	Ground
23	DIO0	DIO channel 0	49	DIO7	DIO channel 7
24	DIO1	DIO channel 1	50	DIO6	DIO channel 6
25	DIO2	DIO channel 2	51	DIO5	DIO channel 5
26	DIO3	DIO channel 3	52	DIO4	DIO channel 4

CE EU Declaration of Conformity
According to ISO/IEC 17050-1:2010

Manufacturer: Measurement Computing Corporation
Address: 10 Commerce Way
Norton, MA 02766
USA
Product Category: Electrical equipment for measurement, control and laboratory use.
Date and Place of Issue: June 2, 2016, Norton, Massachusetts USA
Test Report Number: EMI4193.05 / EMI5215B.08

Measurement Computing Corporation declares under sole responsibility that the product

USB-TEMP

is in conformity with the relevant Union Harmonization Legislation and complies with the essential requirements of the following applicable European Directives:

Electromagnetic Compatibility (EMC) Directive 2014/35/EU
Low Voltage Directive 2014/35/EU
RoHS Directive 2011/65/EU

Conformity is assessed in accordance to the following standards:

EMC:

Emissions:

- EN 61326-1:2013 (IEC 61326-1:2012), Class A
- EN 55011: 2009 + A1:2010 (IEC CISPR 11:2009 + A1:2010), Group 1, Class A

Immunity:

- EN 61326-1:2013 (IEC 61326-1:2012), Controlled EM Environments
- EN 61000-4-2:2008 (IEC 61000-4-2:2008)
- EN 61000-4-3 :2010 (IEC61000-4-3:2010)

Safety:

- EN 61010-1 (IEC 61010-1)

Environmental Affairs:

Articles manufactured on or after the Date of Issue of this Declaration of Conformity do not contain any of the restricted substances in concentrations/applications not permitted by the RoHS Directive.



Carl Haapaoja, Director of Quality Assurance

Measurement Computing Corporation
10 Commerce Way
Norton, Massachusetts 02766
(508) 946-5100
Fax: (508) 946-9500
E-mail: info@mccdaq.com
www.mccdaq.com

NI Hungary Kft
H-4031 Debrecen, Hátar út 1/A, Hungary
Phone: +36 (52) 515400
Fax: +36 (52) 515414
<http://hungary.ni.com/debrecen>