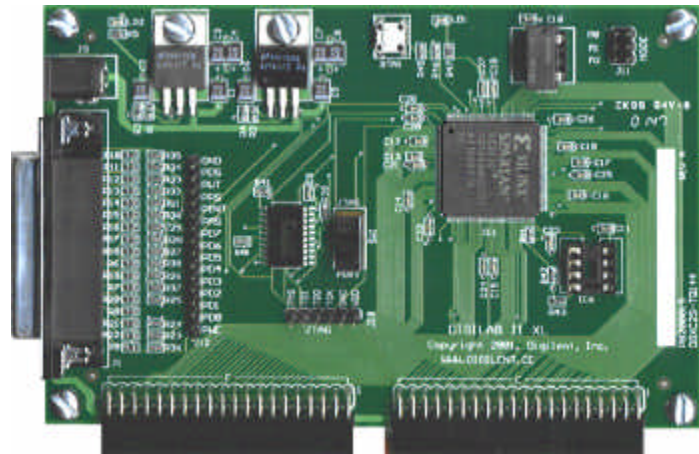


Digilab 2XL

FPGA Development Board



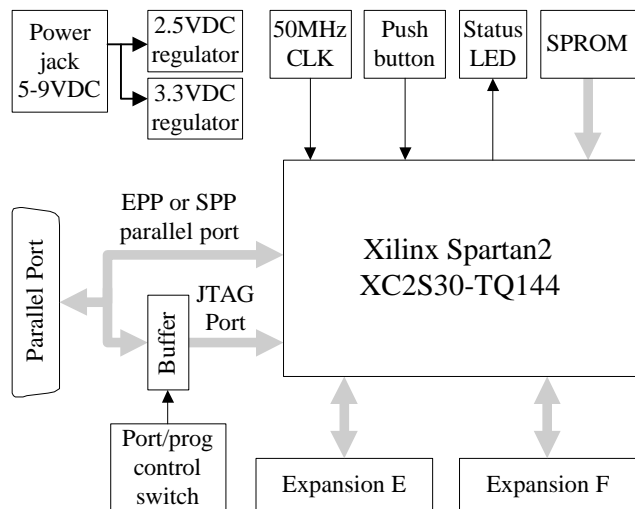
The Digilab 2XL (D2XL) FPGA-based development board makes an excellent prototyping platform for moderate to complex digital circuits. The D2XL board features a 30K-gate Xilinx Spartan 2 XC2S30 FPGA in a TQ144 package that provides 92 user I/Os. All available I/O signals are routed either to the expansion connectors, or to the parallel port and other on-board devices. A single on-board pushbutton and LED allow for quick circuit and device programming checks, as well as basic I/O (e.g., for reset and status). The D2XL board mates with several existing peripheral boards so that entire digital systems can be quickly and easily constructed. The D2XL board works seamlessly with the free WebPack CAD tools, and it ships with a programming cable and power supply, so projects can be implemented immediately, without the need for any other components or expenses.



Digilab 2XL (D2XL) Development Board

D2XL board features include:

- A Xilinx XC2S30 FPGA in a TQ144 package offering 92 user I/O signals;
- Dual on-board 1.5A power regulators (2.5V and 3.3V);
- A socketed 50MHz oscillator;
- A socket for a Xilinx SPROM;
- EPP-capable parallel port for JTAG-based FPGA programming and user data transfers;
- A separate JTAG header for use with Xilinx parallel 3 or parallel 4 programming cables;
- Status LED and pushbutton for basic I/O;
- 2 100-mil spaced, right angle DIP socket 40-pin expansion connectors.



D2XL Block Diagram

For more information, please see the Digilab 2XL reference documents available at our website.