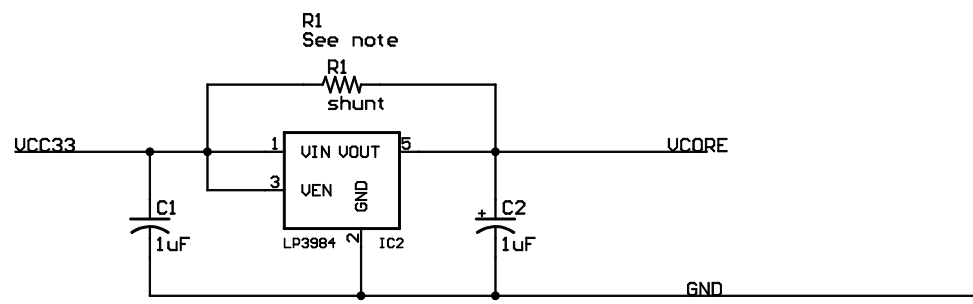
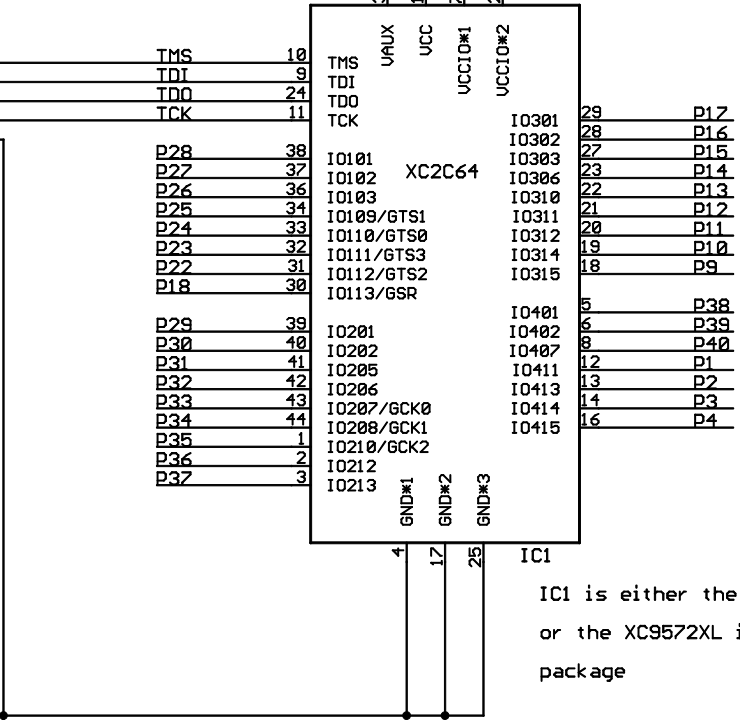
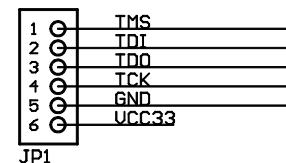
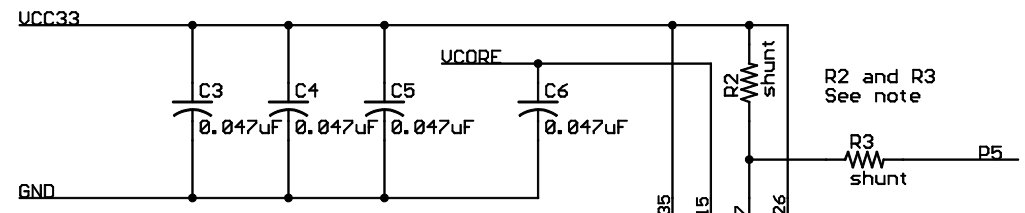


P5 is a NC on the XC2C64 version



NOTE:

XC9572XL - R2 and IC2 are not loaded

XC2C64 - R1 and R3 are not loaded

Digilent C-Mod C295 board		Engineer: CC
Copyright 2004, 2005 Digilent Inc.		Author: GMA
TITLE: C-Mod C295	Document Number: 500-047	Rev: E
Release Date: 1/5/2005		Sheet: 1/1