

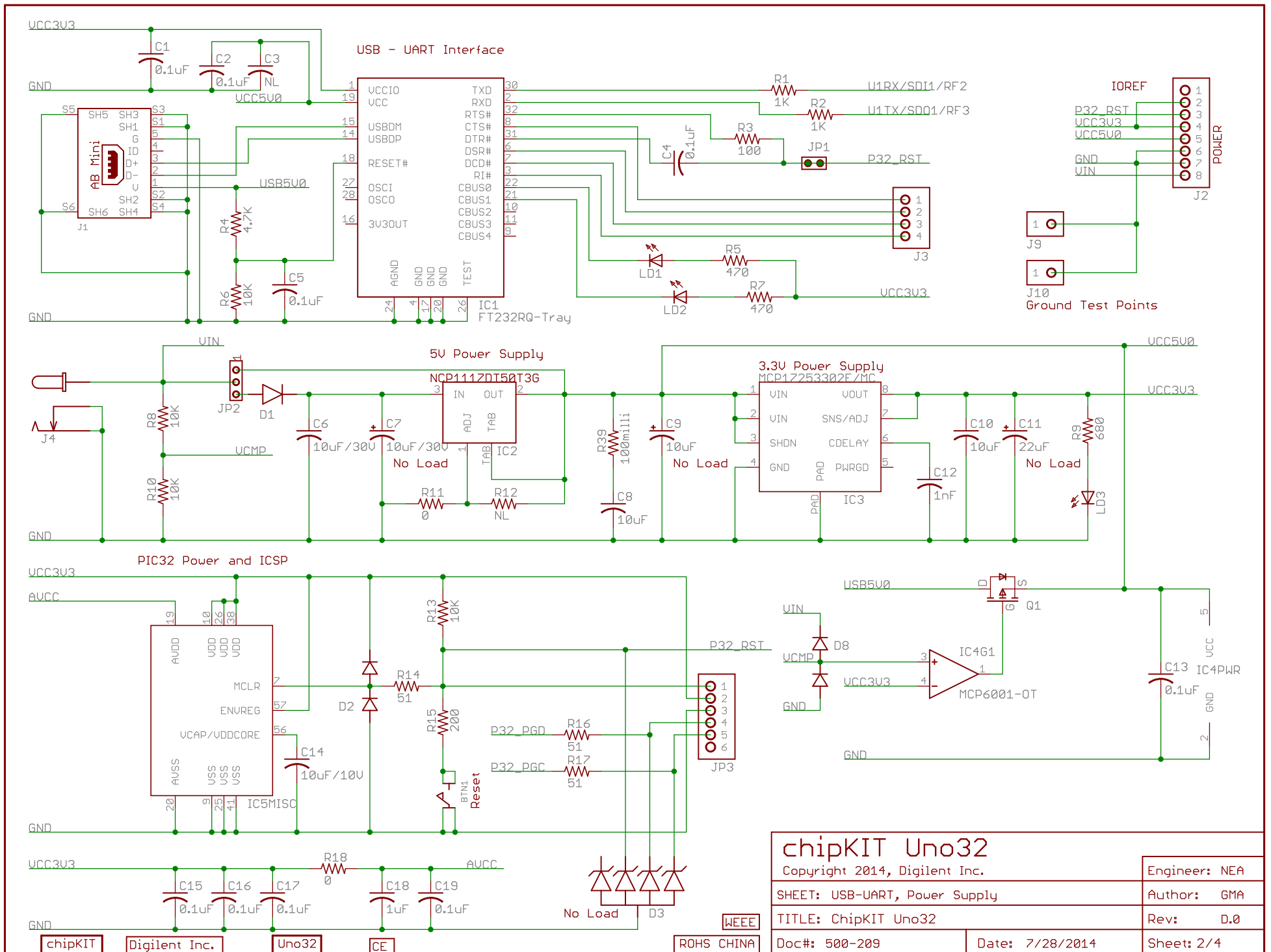
chipKIT™ Uno32 Reference Design

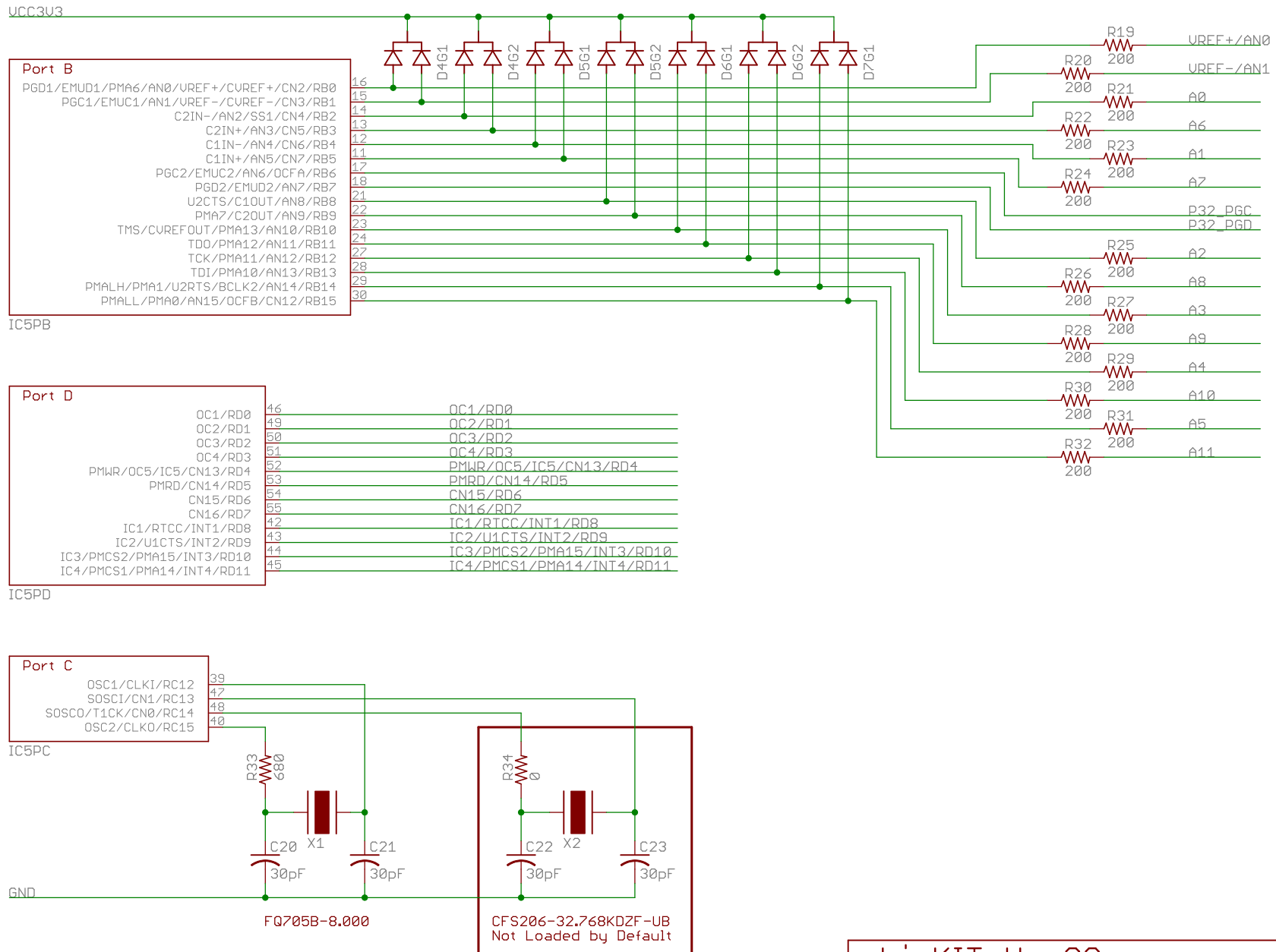
Digilent chipKIT hardware files are licensed under the Creative Commons Attribution-ShareAlike license. This license allows for both personal and commercial derivative works, as long as proper credit is given to Digilent and the designs are released under the same license.

www.creativecommons.org/licenses/by-sa/3.0/

Reference designs are provided "AS IS" and "WITH ALL FAULTS". Digilent disclaims all other warranties express or implied, regarding this product, including but not limited to, any implied warranties of merchantability or fitness for any particular application. Digilent may make changes to specifications and product descriptions at any time, without notice.

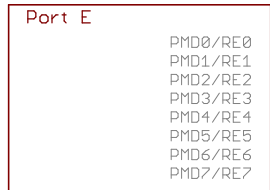
chipKIT Uno32		Engineer: NEA
Copyright 2014, Digilent Inc.		Author: GMA
SHEET: License		Rev: D.0
TITLE: ChipKIT Uno32		Sheet: 1/4
Doc#: 500-209	Date: 7/28/2014	



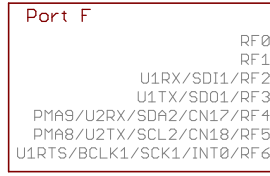


NOTE: IC2 - PIC32MX320F064H, PIC32MX320F128H

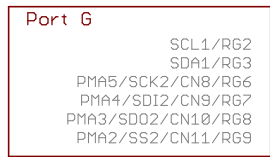
chipKIT Uno32		Engineer: NEA
Copyright 2014, Digilent Inc.		Author: GMA
SHEET: PIC32 I/O		Rev: D.0
TITLE: ChipKIT Uno32		Doc#: 500-209
Date: 7/28/2014	Sheet: 3/4	



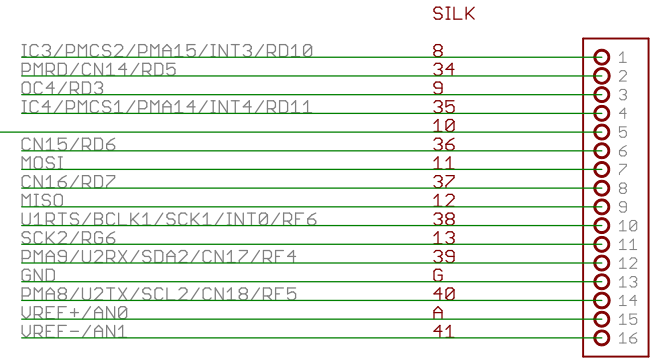
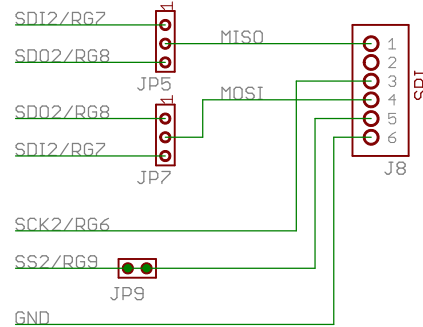
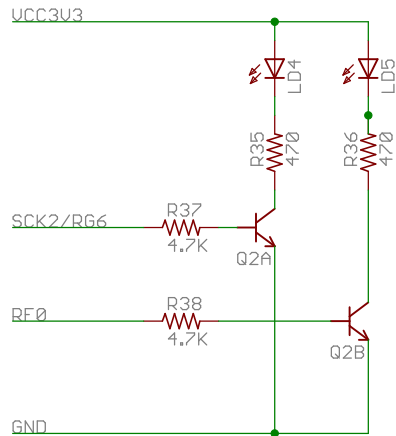
IC5PE



IC5PF

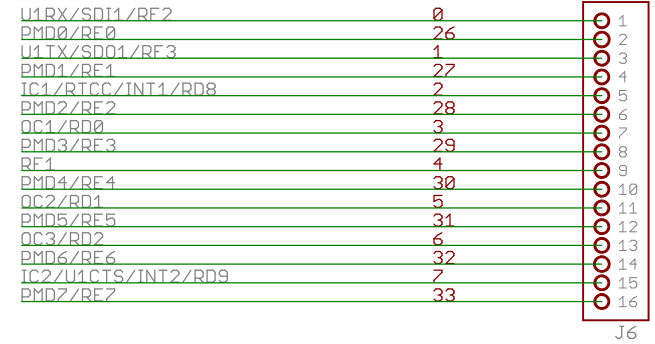


IC5PG



IOH

J5



IOI

J6



Analog

J7



chipKIT Uno32		Engineer: NEA
Copyright 2014, Digilent Inc.		Author: GMA
SHEET: PIC32 I/O, I/O Connectors		Rev: D.0
TITLE: ChipKIT Uno32		Doc#: 500-209
Date: 7/28/2014		Sheet: 4/4