

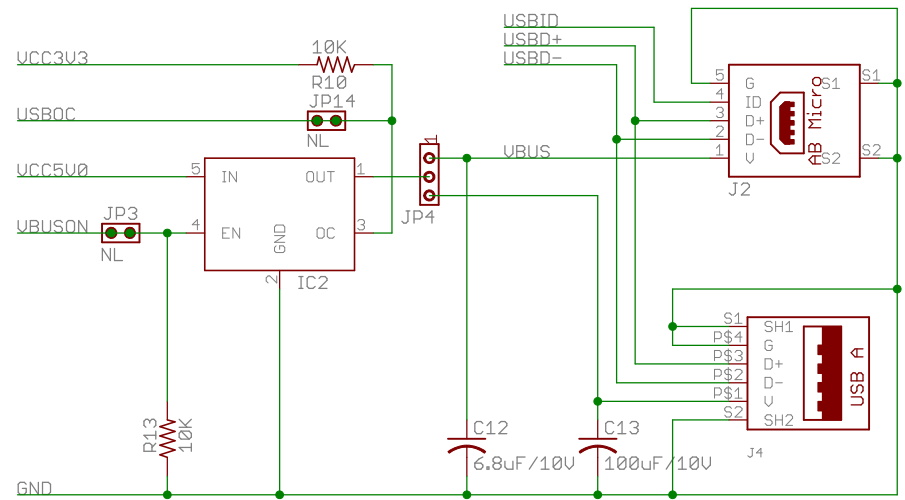
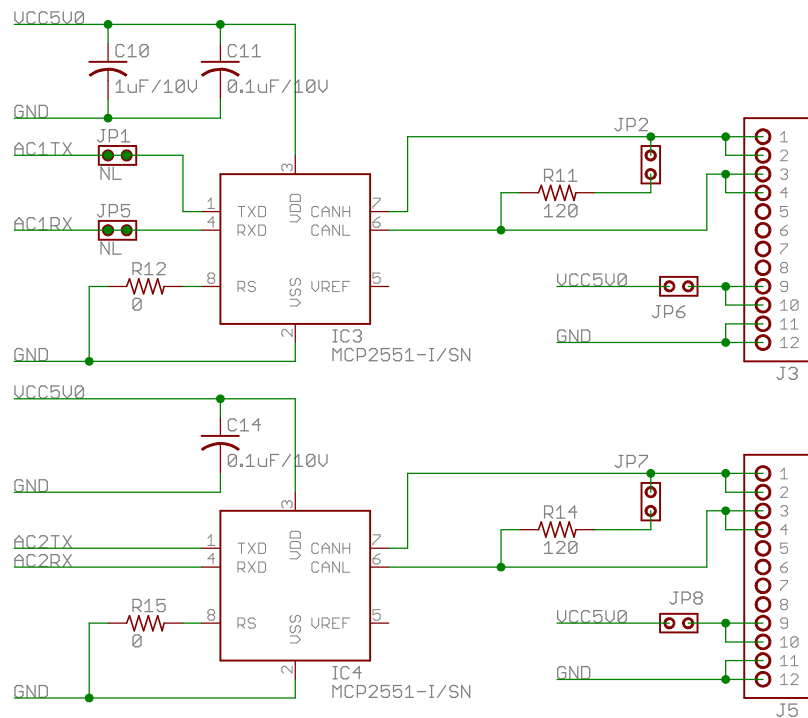
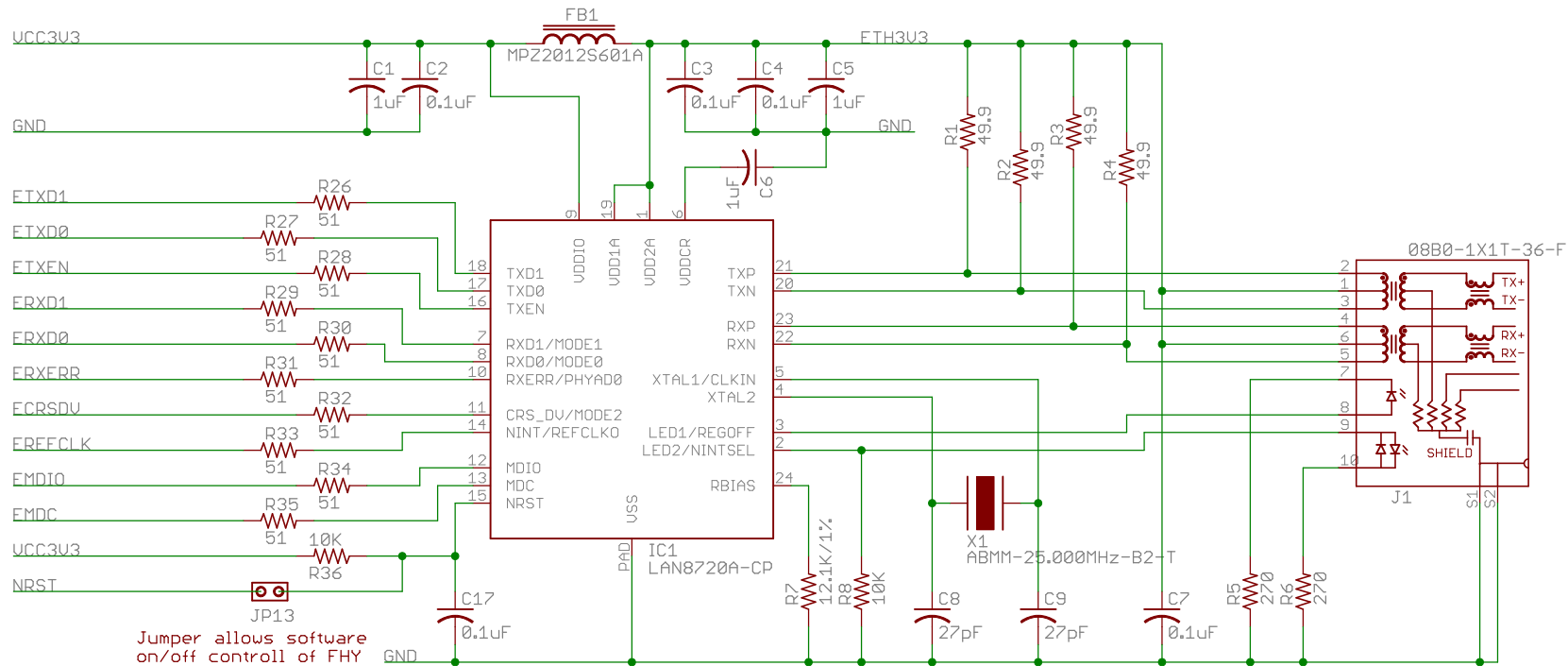
chipKIT™ Network Shield Reference Design

Digilent chipKIT hardware files are licensed under the Creative Commons Attribution-ShareAlike license. This license allows for both personal and commercial derivative works, as long as proper credit is given to Digilent and the designs are released under the same license.

www.creativecommons.org/licenses/by-sa/3.0/

Reference designs are provided "AS IS" and "WITH ALL FAULTS". Digilent disclaims all other warranties express or implied, regarding this product, including but not limited to, any implied warranties of merchantability or fitness for any particular application. Digilent may make changes to specifications and product descriptions at any time, without notice.

chipKIT Network Shield		
Copyright 2014, Digilent Inc.		Engineer: NEA
SHEET: Main		Author: MBH
TITLE: chipKIT Network Shield		Rev: F.0
Doc#: 500-211	Date: 09/22/2014	Sheet: 1/3



chipKIT Network Shield

Copyright 2014, Digilent Inc.

Engineer: NEA

SHEET: Main

Author: MBH

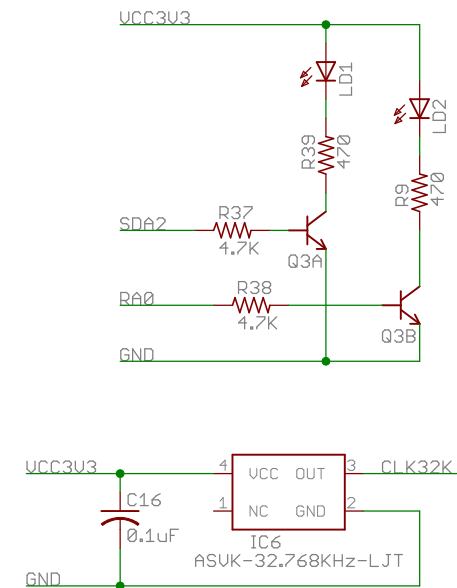
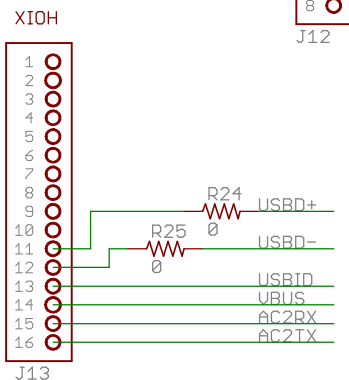
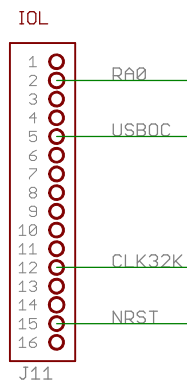
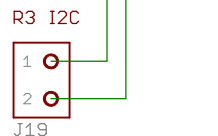
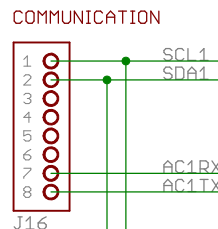
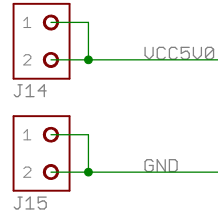
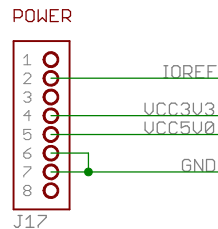
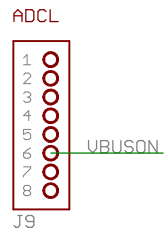
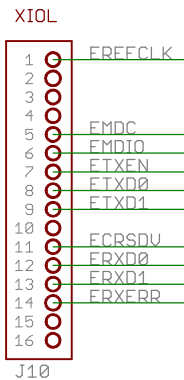
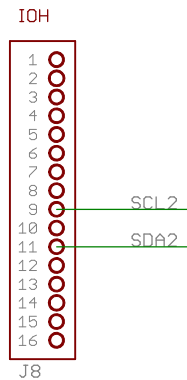
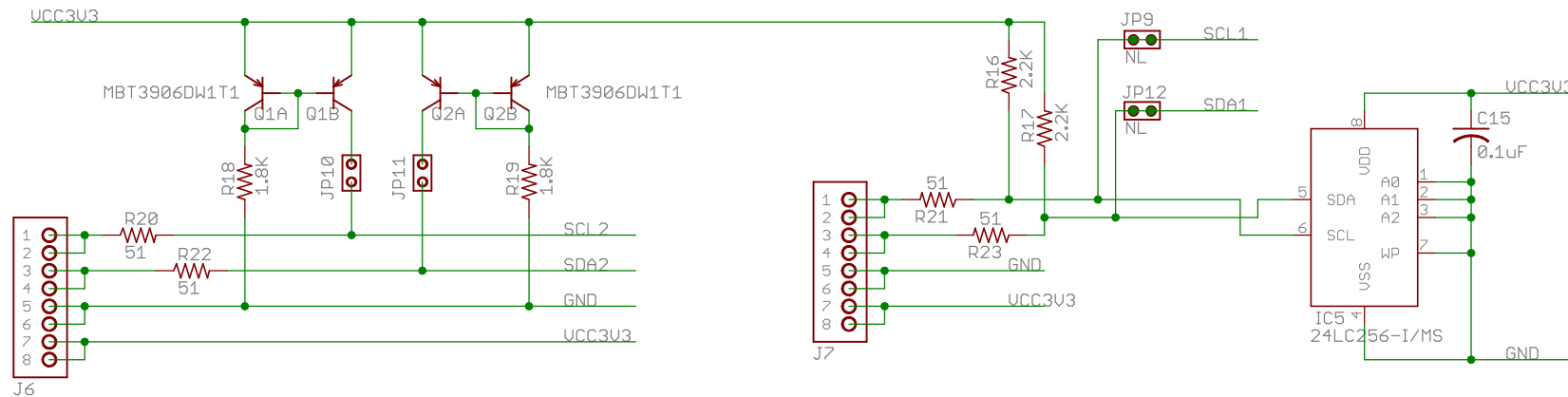
TITLE: chipKIT Network Shield

Rev: F.0

Doc#:500-211

Date: 09/22/2014

Sheet: 2/3



chipKIT Network Shield		Engineer: NEA
Copyright 2014, Digilent Inc.		Author: MBH
SHEET: I/O Connectors		Rev: F.0
TITLE: chipKIT Network Shield		Doc#: 500-211
Date: 09/22/2014		Sheet: 3/3