

chipKIT Pmod Shield-Uno

Copyright 2011, Digilent Inc.

Engineer:MTA

SHEET:Pmod Connectors

Author:PJA

TITLE: chipKIT Pmod Shield-Uno

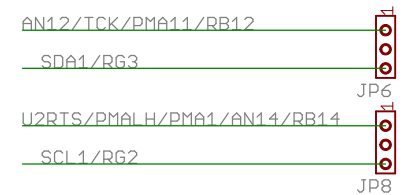
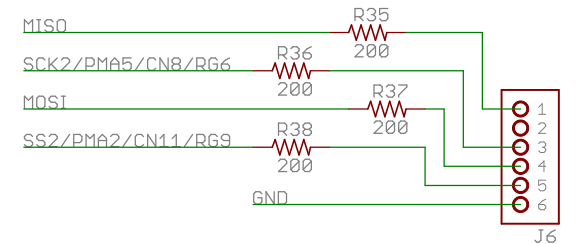
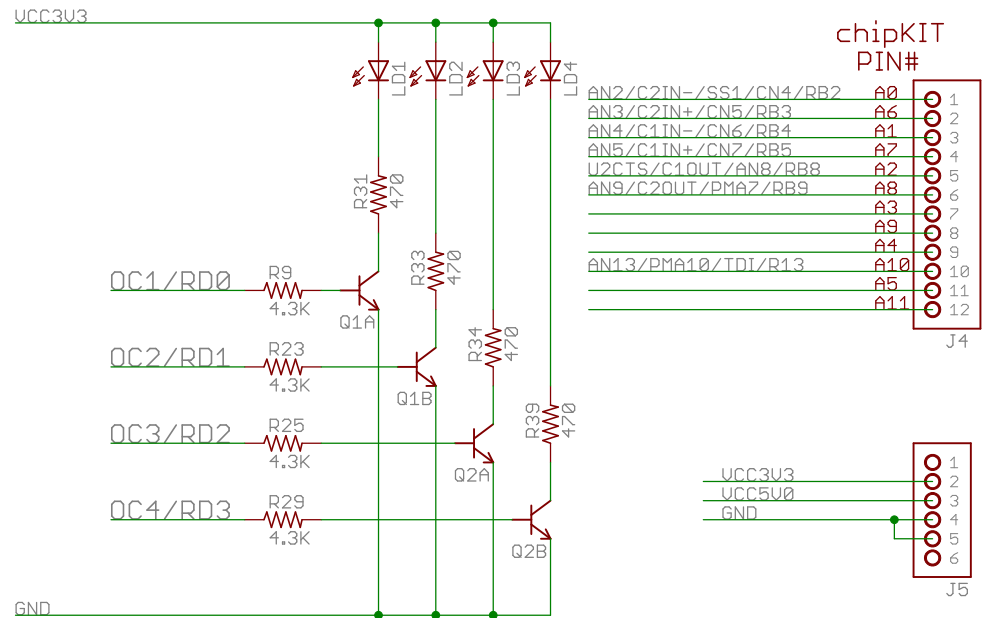
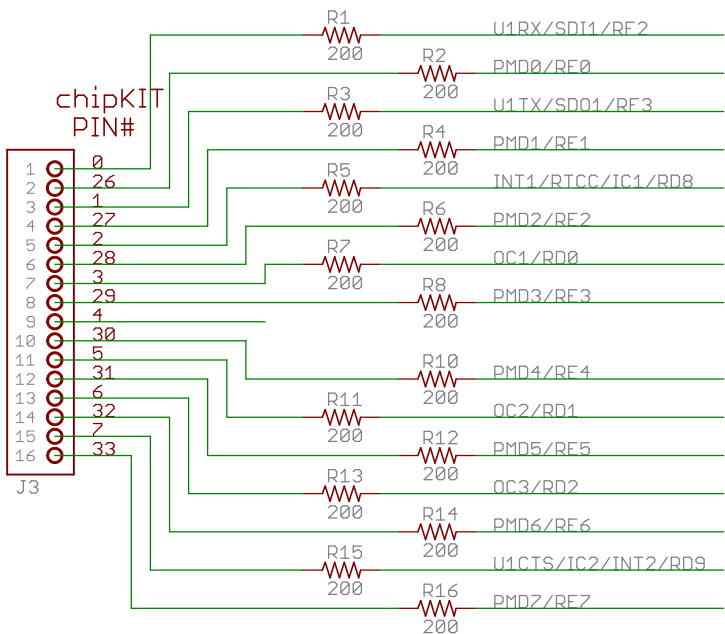
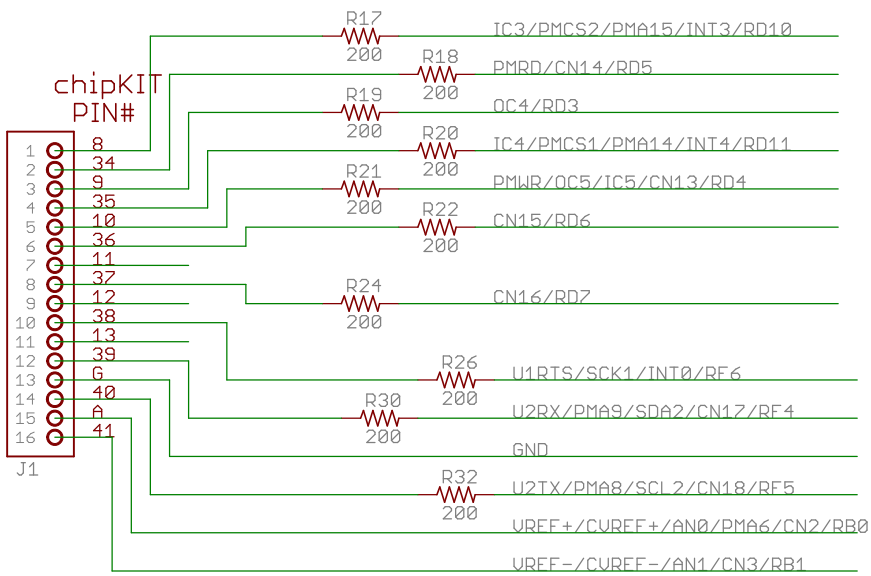
Rev:A

Digilent Inc.

Doc#:500-229

Date: 8/11/2011

Sheet: 1/2



chipKIT Pmod Shield-Uno		Engineer: MTA
Copyright 2011, Digilent Inc.		Author: PJA
SHEET: Shield Connectors, LEDs		Rev: A
TITLE: chipKIT Pmod Shield-Uno		Doc#: 500-229
Date: 8/11/2011	Sheet: 2/2	